



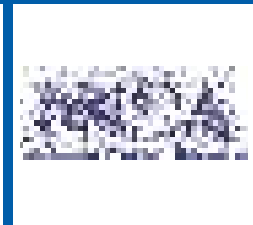
Standard Products



At Berliss Companies, we are proud to have the hands-on customer service of a small firm while possessing all of the capabilities of a large corporation. Our bearing product line is as diverse as our manufacturing methods, ensuring both high quality and customer satisfaction. At Berliss we understand that making our premium products both readily available and competitively priced is just one aspect of our mutually rewarding customer partnerships.

Our fourth generation, family owned corporation was established in 1932 in Belleville, New Jersey. We moved our facility to Livingston, NJ in 1951 where we've resided ever since. During this time, we've learned the paramount importance of maintaining customer relationships. In fact at Berliss we guarantee an accessible customer interface so you can rest assured that our team can respond when you need us.

Our roller bearing manufacturing and distribution may reach across the globe, but the Berliss team is always ready to give personal attention to our valued customers. In addition to viewing our extensive line of stock products found in this catalog, please make sure to ask one of our customer service or sales representatives about our capabilities brochure for all of your custom project needs plus more standard products.



Berliss .

Berliss Companies

644 Route 10 · P.O. Box 45 · Livingston, NJ 07039
Phone: (973) 992-4242 · Fax: (973) 992-6669 · www.berliss.com

TABLE OF CONTENTS

<i>Introduction</i>	3
<i>Load Ratings</i>	5-6
<i>Solid Roller Bearings</i>	7-8
<i>Standard Roller Bearings (Assemblies Only)</i>	9-17
<i>Standard Roller Bearings With Split Outer Race</i>	17-24
<i>Journal Roller Bearings – 2 Piece Inch Series</i>	25-26
<i>Journal Roller Bearings – 3 Piece Inch Series</i>	26-28
<i>T99000 Series With Notched Inner Races</i>	28
<i>200 and 300 Series Solid Race Bearings</i>	29
<i>Nylon Cage Roller Bearings With Split Outer Race</i>	30
<i>Welded Cage Bearing With Split Outer Race</i>	30
<i>Drawn Cup Roller Bearings</i>	31
<i>Flanged Roller Bearings</i>	31
<i>Caster Bearings & Components</i>	32
<i>Caster Terminology</i>	33
<i>Spanner Bushings</i>	34
<i>Axle Bolts</i>	35
<i>Nuts</i>	36
<i>Double Row Cartridge</i>	36
<i>Radial Ball With Extended Inner Ball Bearing</i>	37
<i>Unground Flanged Ball Bearings</i>	37
<i>Precision Flanged Ball Bearings</i>	38
<i>Retainer (Washer) Seals and Combo Washers</i>	38
<i>Sealing Products</i>	39
<i>Sealing Product Part Numbers</i>	40
<i>Sealing Material Specifications</i>	41
<i>Type 1 Sealing Products</i>	42
<i>Type 2 Sealing Products</i>	43
<i>Type 21 Sealing Products</i>	44
<i>Type 21A Sealing Products</i>	45
<i>Type 6 Sealing Products</i>	46
<i>Type 6A Sealing Products</i>	47
<i>Non-Standard Springs and Stock Seats</i>	48-49
<i>Notes</i>	50
<i>Warranty Policy</i>	51

LOAD RATINGS

This catalog will provide valuable assistance in choosing the type and characteristics of the bearing most suitable for your application. This catalog, however, does not contain sufficient data for reliable bearing design and selection for all applications. Therefore, we ask that you contact our Engineering Department for more detailed guidance.

The accompanying tables list the significant dimensions for each size as well as a load rating at 100 RPM. Dimensions and load rating are arranged by roller bearing type. Typically, inch data is shown for all bearings while both inch and metric data is shown for the Hyatt 200 and 300 series bearings, including the notched, extended inner T series.

The load ratings listed in the following tables are based upon both empirical and statistical data. They are given for through-hardened and ground roller assemblies. Berliss produces straight cylindrical roller bearings at three levels of precision depending upon the application. The most economical type is the non-alloy (NA) version, which uses rollers that are unhardened and unground. The NAH type contains rollers that are case hardened and unground. The highest quality utilizes a through-hardened, centerless, ground alloy steel roller. The suffix NA or NAH is added to the part number to identify classification. Hardened and ground roller bearings will have no suffix.

DETERMINING THE LOAD CAPACITY FOR YOUR APPLICATION

Step 1

Look through the tables for the bearing you are considering. Record the corresponding load rating at 100 RPM. Load ratings are given for hardened and ground roller assemblies.

Step 2

Select the appropriate reduction factor from the table below that applies to your particular combination of rollers and/or split outer races. Since no American Bearing Manufacturers Association (ABMA) standard for case hardened or unhardened, unground rollers exists, it is probably not appropriate to apply load ratings to these types of products. If the user insists on a way of evaluating the load of a bearing for an application, these modifying service factors have been proven to be accurate over the many years of their general usage.

<i>Roller Assembly Configuration</i>	<i>Factor</i>
Roller Assemblies with hardened and ground (H&G) rollers	1.00
Roller Assemblies with NAH rollers	.50
Roller Assemblies with NA Rollers	.20
Roller Assemblies with H&G Rollers with hardened (HP or HPA) race	.50
Roller Assemblies with H&G rollers with unhardened (P or PA) race	.30
Roller Assemblies with NAH rollers with hardened (HP or HPA) race	.38
Roller Assemblies with NAH rollers with unhardened (P or PA) race	.25
Roller Assemblies with NA Rollers with any race	.20

Step 3

If the speed (in MPH) of your application is known, convert it to revolutions per minute (RPM) using the equations below.

Multiply WHEEL OD (inches) X Pi=Circumference (inches). Then multiply MPH X 1056 X 1 REV/Circumference=RPM. Select the corresponding speed factor from the table below.

<i>RPM</i>	<i>Factor</i>	<i>RPM</i>	<i>Factor</i>
0-10	2.000	25	1.516
50	1.230	75	1.090
100	1.000	200	0.812
300	0.719	500	0.617
750	0.547	1000	0.501

Step 4

Select the appropriate rotational factor for your application. In applications in which the shaft does not rotate, like most material handling situations, the load remains concentrated on a relatively small section of the inner race. Fatigue is induced in that area more rapidly than it would be if the inner race were the rotating member. Consequently the rating must be reduced when this condition exists.

	<i>Factor</i>
Stationary Shaft	0.80
Rotating Shaft	1.00

Step 5

Select the appropriate hardness factor for your application from the table below. Load rating for roller assemblies are based on the assumption that shaft and housing have ground and hardened to Rockwell 58 C or higher. Case hardening is

permissible if depth of case is sufficient for the application. If bearings are used on a shaft or housing that has not been hardened to 58 Rc, reduce the load rating by applying the corresponding factor.

58 Rc=1.00 56 Rc=0.96 54 Rc=0.89
52 Rc=0.78 50 Rc=0.63 45 Rc=0.36 40 Rc=0.22

Step 6

Multiply the various factors to the load found in Step 1 to determine the actual load that the selected roller assembly will support.

Actual Load = Load Rating from Tables x Service Factor x Speed Factor x Rotational Factor x Hardness Factor. While load ratings may be a guide in selecting a particular size roller bearing, experience, available space and the benefit of a greater safety factor might suggest the use of a larger or longer assembly for a particular application. The basic load rating of Berliss Companies Roller Bearings assumes an average useful life expectancy of 3000 hours under normal operating conditions. Rarely do these bearings fail from predictable, true fatigue. Consequently, the user must consider means to control wear, shock, deflection, misalignment and the exclusion of foreign matter. Roller bearings have a statistically predictable fatigue life capability only when correctly applied and protected from abuse. The original equipment manufacturer applying the bearings and the ultimate user of the equipment must partner with the bearing manufacturer in order to reach these goals. When bearings are incorrectly applied or subjected to hostile environments, bearing life will be shortened and mode of fatigue may be due to causes other than fatigue. The statistics on which catalog load ratings are based will then no longer apply and bearing life may be extremely short in spite of lenient load and speed conditions.

LUBRICATION

Lubrication is essential to prevent premature bearing failure. Lubricants serve many important purposes such as:

1. Acting as a preventative against rust and corrosion.
2. Minimizing friction between rollers and raceways.
3. Dissipating heat from contact areas.
4. Providing a barrier against external contaminants.

Lubrication must occur to maintain a protective barrier at all times. There are no fixed rules to describe how often re-lubrication should take place, as it is strictly a function of the environmental conditions. The harsher the operating conditions the shorter the re-lubrication period.

The type of lubricant used also plays a critical factor in operating efficiency. Conventional types fall into the classifications of oil or grease, each with specific properties correct for different bearing applications. Generally, grease is the preferred choice for Berliss bearings due to its ease of application and maintenance, performing well in the 0° F to 300° F operating range. Consult a lubrication specialist for the best lubricant for your application. Our washer seals shown on page 38 offer an effective means of retaining lubrication.

SHAFT AND HOUSING TOLERANCES FOR ASSEMBLIES AND SPLIT RACE BEARINGS

<i>Bearing Classification</i>	<i>Bearing Bore</i>	<i>Shaft Tolerance</i>	<i>Bearing OD</i>	<i>Housing Tolerance</i>
Roller Assembly Only (hardened and ground) e.g. 93330	3/8" to 4"	+0.0000 - 0.0010	3/4" to 2" 2-1/16" to 4"	+0.0020 +0.0010 +0.0025 +0.0010
Roller Assembly With Split Outer Race (hardened and ground) e.g. HP93330	3/8" to 4"	+0.0000 - 0.0010	3/4" to 3" 3-1/16" to 6"	+0.005 +0.001 +0.007 +0.002
Roller Assembly Only (NA and NAH series) e.g. 93330NAH	3/8" to 1" 1-1/16" to 2" 2 1/16" to 4"	+0.000 - 0.002 +0.000 - 0.003 +0.000 - 0.004	3/4" to 3" 3-1/16" to 6"	+0.005 +0.001 +0.007 +0.002
Roller Assembly With Split Outer Race (NA and NAH series) e.g. HP93330NAH	3/8" to 1" 1-1/16" to 2" 2 1/16" to 4"	+0.000 - 0.002 +0.000 - 0.003 +0.000 - 0.004	3/4" to 3" 3-1/16" to 6"	+0.005 +0.001 +0.007 +0.002

BERLISS STANDARD SOLID ROLLER BEARINGS WITH SPLIT OUTER RACES

HP 9 2 2 1 6

PREFIX

HP	Hardened, split outer race
PA	Heavy wall split outer race, unhardened
P	Unhardened, split outer race

BEARING LENGTH

Last two digits indicate bearing operating space in 16ths of an inch.

SERIES

The first digit (9) simply indicates the series.

SHAFT DIAMETER

Third Digit	Shaft Diameter
0	0.375"
1	0.500"
2	0.625"
3	0.750"
4	0.875"
5	1.000"
6	1.125"
7	1.250"
8	1.375"
9	1.500"

ROLLER DIAMETER

Second Digit	Roller Diameter
2	.1562"
3	.1875"
4	.2500"
5	.3125"
6	.3750"
7	.4375"
8	.5000"
9	.5625"

BERLISS SIX DIGIT SOLID ROLLER BEARINGS WITH SPLIT OUTER RACES

PA

40

15

80

PREFIX

HP	Hardened, split outer race
PA	Heavy wall split outer race, unhardened
P	Unhardened, split outer race
HPA	Heavy wall split outer race, hardened

BEARING LENGTH

Last two digits indicate bearing operating space in 16ths of an inch.

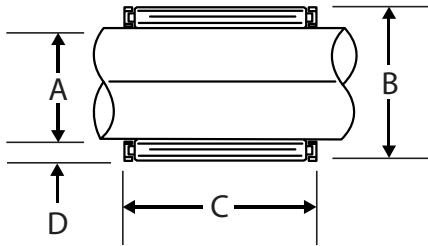
SERIES

The first two digits equal the shaft diameter (ID) in 16ths of an inch.

ROLLER DIAMETER

Middle Digits	Roller Diameter
2	.1562"
3	.1875"
4	.2500"
5	.3125"
6	.3750"
7	.4375"
8	.5000"
9	.5625"
10	.6250"
11	.6875"
12	.7500"
14	.8750"
15	.9375"
16	1.000"
18	1.125"
20	1.250"

STANDARD ROLLER BEARINGS (ASSEMBLIES ONLY)



PART NUMBER	SHAFT DIAMETER A	OUTSIDE DIAMETER B	OPERATING SPACE C	ROLLER DIAMETER D	LOAD RATING 100 RPM
93116	0.500	0.875	1.000	0.188	1130
93118	0.500	0.875	1.125	0.188	1280
93120	0.500	0.875	1.250	0.188	1420
93122	0.500	0.875	1.375	0.188	1550
93124	0.500	0.875	1.500	0.188	1690
93126	0.500	0.875	1.625	0.188	1810
93128	0.500	0.875	1.750	0.188	1940
93132	0.500	0.875	2.000	0.188	2190
94112	0.500	1.000	0.750	0.250	770
94116	0.500	1.000	1.000	0.250	1210
94118	0.500	1.000	1.125	0.250	1360
94120	0.500	1.000	1.250	0.250	1510
94122	0.500	1.000	0.750	0.250	880
94124	0.500	1.000	1.500	0.250	1800
94126	0.500	1.000	1.625	0.250	1690
94128	0.500	1.000	1.750	0.250	2080
94130	0.500	1.000	1.875	0.250	1930
94132	0.500	1.000	2.000	0.250	2340
94136	0.500	1.000	2.250	0.250	2590
94140	0.500	1.000	2.500	0.250	2840
95112	0.500	1.125	0.750	0.313	970
95116	0.500	1.125	1.000	0.313	1330
95120	0.500	1.125	1.250	0.313	1660
95122	0.500	1.125	1.375	0.313	1820
95124	0.500	1.125	1.500	0.313	1980
95128	0.500	1.125	1.750	0.313	2280
95130	0.500	1.125	1.875	0.313	2430
95132	0.500	1.125	2.000	0.313	2570
95136	0.500	1.125	2.250	0.313	2850
95140	0.500	1.125	2.500	0.313	3120
95148	0.500	1.125	3.000	0.313	3650
09312	0.563	0.938	0.750	0.188	840
09316	0.563	0.938	1.000	0.188	1150
09318	0.563	0.938	1.125	0.188	1300
09320	0.563	0.938	1.250	0.188	1440
09322	0.563	0.938	1.375	0.188	1580
09324	0.563	0.938	1.500	0.188	1710
09412	0.563	1.063	0.750	0.250	890
09416	0.563	1.063	1.000	0.250	1220
09418	0.563	1.063	1.125	0.250	1380
09420	0.563	1.063	1.250	0.250	1530
09422	0.563	1.063	1.375	0.250	1670
09424	0.563	1.063	1.500	0.250	1820
09426	0.563	1.063	1.625	0.250	1960
09428	0.563	1.063	1.750	0.250	2090
09432	0.563	1.063	2.000	0.250	2360
09436	0.563	1.063	2.250	0.250	2620
09440	0.563	1.063	2.500	0.250	2870
99004	0.594	1.094	0.750	0.250	1120
92216	0.625	0.938	1.000	0.156	1320
92220	0.625	0.938	1.250	0.156	1650
92222	0.625	0.938	1.375	0.156	1810
92224	0.625	0.938	1.500	0.156	1960
93208	0.625	1.000	0.500	0.188	540
93210	0.625	1.000	0.625	0.188	740
93212	0.625	1.000	0.750	0.188	930
93214	0.625	1.000	0.875	0.188	1100
93216	0.625	1.000	1.000	0.188	1270

PART NUMBER	SHAFT DIAMETER A	OUTSIDE DIAMETER B	OPERATING SPACE C	ROLLER DIAMETER D	LOAD RATING 100 RPM
93012	0.375	0.750	0.750	0.188	570
93016	0.375	0.750	1.000	0.188	770
93018	0.375	0.750	1.125	0.188	870
93020	0.375	0.750	1.250	0.188	970
93022	0.375	0.750	1.375	0.188	1060
93024	0.375	0.750	1.500	0.188	1150
93028	0.375	0.750	1.750	0.188	1330
93032	0.375	0.750	2.000	0.188	1500
07212	0.438	0.750	0.750	0.156	690
07216	0.438	0.750	1.000	0.156	950
07220	0.438	0.750	1.250	0.156	1180
07224	0.438	0.750	1.500	0.156	1410
92112	0.500	0.812	0.750	0.156	820
92120	0.500	0.812	1.250	0.156	1410
93108	0.500	0.875	0.500	0.188	480
93110	0.500	0.875	0.625	0.188	660
93112	0.500	0.875	0.750	0.188	830

PART NUMBER	SHAFT DIAMETER A	OUTSIDE DIAMETER B	OPERATING SPACE C	ROLLER DIAMETER D	LOAD RATING 100 RPM
93218	0.625	1.000	1.125	0.188	1430
93220	0.625	1.000	1.250	0.188	1590
93222	0.625	1.000	1.375	0.188	1740
93224	0.625	1.000	1.500	0.188	1890
93226	0.625	1.000	1.625	0.188	2030
93228	0.625	1.000	1.750	0.188	2180
93230	0.625	1.000	1.875	0.188	2320
93232	0.625	1.000	2.000	0.188	2450
93236	0.625	1.000	2.250	0.188	2720
93240	0.625	1.000	2.500	0.188	2900
94212	0.625	1.125	0.750	0.250	1120
94216	0.625	1.125	1.000	0.250	1530
94218	0.625	1.125	1.250	0.250	1720
94220	0.625	1.125	1.250	0.250	1910
94222	0.625	1.125	1.375	0.250	2100
94224	0.625	1.125	1.500	0.250	2270
94226	0.625	1.125	1.625	0.250	2450
94228	0.625	1.125	1.750	0.250	2620
94230	0.625	1.125	1.875	0.250	2790
94232	0.625	1.125	2.000	0.250	2960
94236	0.625	1.125	2.250	0.250	3280
94240	0.625	1.125	2.500	0.250	3590
94242	0.625	1.125	2.625	0.250	3750
94244	0.625	1.125	2.750	0.250	3900
94246	0.625	1.125	2.875	0.250	4050
94248	0.625	1.125	3.000	0.250	4200
94250	0.625	1.125	3.125	0.250	4350
95212	0.625	1.250	0.750	0.313	1260
95216	0.625	1.250	1.000	0.313	1730
95220	0.625	1.250	1.250	0.313	2160
95224	0.625	1.250	1.500	0.313	2570
95228	0.625	1.250	1.750	0.313	2960
95232	0.625	1.250	2.000	0.313	3340
95236	0.625	1.250	2.250	0.313	3700
95240	0.625	1.250	2.500	0.313	4060
95248	0.625	1.250	3.000	0.313	4740
96216	0.625	1.375	1.000	0.375	1620
96220	0.625	1.375	1.250	0.375	2020
96224	0.625	1.375	1.500	0.375	2410
96228	0.625	1.375	1.750	0.375	2770
96230	0.625	1.375	1.875	0.375	2950
96232	0.625	1.375	2.000	0.375	3130
96236	0.625	1.375	2.250	0.375	3470
96238	0.625	1.375	2.375	0.375	3630
96240	0.625	1.375	2.500	0.375	3800
96244	0.625	1.375	2.750	0.375	4120
96248	0.625	1.375	3.000	0.375	4440
96250	0.625	1.375	3.125	0.375	4600
96252	0.625	1.375	3.250	0.375	4750
96260	0.625	1.375	3.750	0.375	5360
99016	0.688	1.000	1.250	0.156	1650
110216	0.688	1.000	1.000	0.156	1320
110220	0.688	1.000	1.250	0.156	1650
110310	0.688	1.063	0.625	0.188	810
110314	0.688	1.063	0.875	0.188	600
110316	0.688	1.063	1.000	0.188	1390
110320	0.688	1.063	1.250	0.188	1730
110428	0.688	1.188	1.750	0.250	2640

PART NUMBER	SHAFT DIAMETER A	OUTSIDE DIAMETER B	OPERATING SPACE C	ROLLER DIAMETER D	LOAD RATING 100 RPM
92316	0.750	1.063	1.000	0.156	1320
93310	0.750	1.125	0.625	0.188	930
93312	0.750	1.125	0.750	0.188	1170
93314	0.750	1.125	0.875	0.188	1390
93316	0.750	1.125	1.000	0.188	1600
93318	0.750	1.125	1.125	0.188	1810
93320	0.750	1.125	1.250	0.188	2000
93322	0.750	1.125	1.375	0.188	2200
93323	0.750	1.125	1.437	0.188	2290
93324	0.750	1.125	1.500	0.188	2380
93326	0.750	1.125	1.625	0.188	2570
93328	0.750	1.125	1.750	0.188	2750
93330	0.750	1.125	1.875	0.188	2930
93332	0.750	1.125	2.000	0.188	3100
93334	0.750	1.125	2.125	0.188	3270
93336	0.750	1.125	2.250	0.188	3400
93340	0.750	1.125	2.500	0.188	3770
93342	0.750	1.125	2.625	0.188	3930
93344	0.750	1.125	2.750	0.188	4090
93346	0.750	1.125	2.875	0.188	4250
93348	0.750	1.125	3.000	0.188	4400
93350	0.750	1.125	3.125	0.188	4560
93364	0.750	1.125	4.000	0.188	5610
94312	0.750	1.250	0.750	0.250	1250
94316	0.750	1.250	1.000	0.250	1710
94318	0.750	1.250	1.125	0.250	1930
94320	0.750	1.250	1.250	0.250	2140
94322	0.750	1.250	1.375	0.250	2350
94324	0.750	1.250	1.500	0.250	2550
94326	0.750	1.250	1.625	0.250	2750
94328	0.750	1.250	1.750	0.250	2940
94330	0.750	1.250	1.875	0.250	3130
94332	0.750	1.250	2.000	0.250	3310
94334	0.750	1.250	2.125	0.250	3500
94336	0.750	1.250	2.250	0.250	3680
94338	0.750	1.250	2.375	0.250	3860
94340	0.750	1.250	2.500	0.250	4030
94348	0.750	1.250	1.000	0.250	4710
95312	0.750	1.375	0.750	0.313	1420
95316	0.750	1.375	1.000	0.313	1940
95320	0.750	1.375	1.250	0.313	2430
95324	0.750	1.375	1.500	0.313	2890
95328	0.750	1.375	1.750	0.313	3330
95330	0.750	1.375	1.875	0.313	3550
95332	0.750	1.375	2.000	0.313	3760
95336	0.750	1.375	2.250	0.313	4170
95338	0.750	1.375	2.375	0.313	4370
95340	0.750	1.375	2.500	0.313	4750
95344	0.750	1.375	2.750	0.313	4960
95348	0.750	1.375	3.000	0.313	5340
95350	0.750	1.375	3.125	0.313	5530
95352	0.750	1.375	3.250	0.313	5710
95356	0.750	1.375	3.500	0.313	6080
95360	0.750	1.375	3.750	0.313	6440
96316	0.750	1.500	1.000	0.375	1870
96320	0.750	1.500	1.250	0.375	2340
96324	0.750	1.500	1.500	0.375	2780
96328	0.750	1.500	1.750	0.375	3210

PART NUMBER	SHAFT DIAMETER A	OUTSIDE DIAMETER B	OPERATING SPACE C	ROLLER DIAMETER D	LOAD RATING 100 RPM
96332	0.750	1.500	2.000	0.375	3620
96336	0.750	1.500	2.250	0.375	4010
96340	0.750	1.500	2.500	0.375	4400
96348	0.750	1.500	3.000	0.375	5140
130412	0.813	1.313	0.750	0.250	1370
130416	0.813	1.313	1.000	0.250	1870
130420	0.813	1.313	1.250	0.250	2340
130422	0.813	1.313	1.375	0.250	2570
130424	0.813	1.313	1.500	0.250	2790
130428	0.813	1.313	1.750	0.250	3210
130430	0.813	1.313	1.875	0.250	3420
130432	0.813	1.313	2.000	0.250	3620
130436	0.813	1.313	2.250	0.250	4010
130440	0.813	1.313	2.500	0.250	4400
93412	0.875	1.250	0.750	0.188	1170
93416	0.875	1.250	1.000	0.188	1600
93418	0.875	1.250	1.125	0.188	1810
93420	0.875	1.250	1.250	0.188	2000
93422	0.875	1.250	1.375	0.188	2200
93424	0.875	1.250	1.500	0.188	2380
93426	0.875	1.250	1.625	0.188	2570
93428	0.875	1.250	1.750	0.188	2750
93432	0.875	1.250	2.000	0.188	3100
93436	0.875	1.250	2.250	0.188	3440
93440	0.875	1.250	2.500	0.188	3770
93444	0.875	1.250	2.750	0.188	4090
93448	0.875	1.250	3.000	0.188	4400
94412	0.875	1.375	0.750	0.250	1380
94416	0.875	1.375	1.000	0.250	1890
94420	0.875	1.375	1.250	0.250	2360
94422	0.875	1.375	1.375	0.250	2590
94424	0.875	1.375	1.500	0.250	2810
94426	0.875	1.375	1.625	0.250	3000
94428	0.875	1.375	1.750	0.250	3240
94430	0.875	1.375	1.875	0.250	3460
94432	0.875	1.375	2.000	0.250	3650
94436	0.875	1.375	2.250	0.250	4050
94440	0.875	1.375	2.500	0.250	4440
94444	0.875	1.375	2.750	0.250	4820
94446	0.875	1.375	2.875	0.250	5000
94448	0.875	1.375	3.000	0.250	5190
95416	0.875	1.500	1.000	0.313	2180
95420	0.875	1.500	1.250	0.313	2730
95424	0.875	1.500	1.500	0.313	3240
95428	0.875	1.500	1.750	0.313	3740
95432	0.875	1.500	2.000	0.313	4210
95436	0.875	1.500	2.250	0.313	4670
95440	0.875	1.500	2.500	0.313	5120
95444	0.875	1.500	2.750	0.313	5560
95448	0.875	1.500	3.000	0.313	5990
150316	0.938	1.313	1.000	0.188	1800
150320	0.938	1.313	1.250	0.188	2250
150322	0.938	1.313	1.375	0.188	2470
150324	0.938	1.313	1.500	0.188	2680
150328	0.938	1.313	1.750	0.188	3090
150332	0.938	1.313	2.000	0.188	3480
150340	0.938	1.313	2.500	0.188	4230
150416	0.938	1.438	1.000	0.250	1890

PART NUMBER	SHAFT DIAMETER A	OUTSIDE DIAMETER B	OPERATING SPACE C	ROLLER DIAMETER D	LOAD RATING 100 RPM
150420	0.938	1.438	1.250	0.250	2360
150424	0.938	1.438	1.500	0.250	2810
150428	0.938	1.438	1.750	0.250	3240
150432	0.938	1.438	2.000	0.250	3650
150440	0.938	1.438	2.500	0.250	4440
150448	0.938	1.438	3.000	0.250	5190
93512	1.000	1.375	0.750	0.188	1310
93514	1.000	1.375	0.875	0.188	1560
93516	1.000	1.375	1.000	0.188	1800
93518	1.000	1.375	1.125	0.188	2030
93520	1.000	1.375	1.250	0.188	2260
93522	1.000	1.375	1.375	0.188	2470
93524	1.000	1.375	1.500	0.188	2660
93526	1.000	1.375	1.625	0.188	2880
93528	1.000	1.375	1.750	0.188	3090
93530	1.000	1.375	1.875	0.188	3280
93532	1.000	1.375	2.000	0.188	3480
93534	1.000	1.375	2.125	0.188	3670
93536	1.000	1.375	2.250	0.188	3860
93538	1.000	1.375	2.375	0.188	4050
93540	1.000	1.375	2.500	0.188	4230
93542	1.000	1.375	2.625	0.188	4410
93544	1.000	1.375	2.750	0.188	4590
93548	1.000	1.375	3.000	0.188	4940
93550	1.000	1.375	3.125	0.188	5120
93552	1.000	1.375	3.250	0.188	5290
94512	1.000	1.500	0.750	0.250	1490
94516	1.000	1.500	1.000	0.250	2050
94518	1.000	1.500	1.125	0.250	2310
94520	1.000	1.500	1.250	0.250	2560
94522	1.000	1.500	1.375	0.250	2800
94524	1.000	1.500	1.500	0.250	3040
94526	1.000	1.500	1.625	0.250	3280
94528	1.000	1.500	1.750	0.250	3510
94530	1.000	1.500	1.875	0.250	3730
94532	1.000	1.500	2.000	0.250	3950
94536	1.000	1.500	2.250	0.250	4390
94540	1.000	1.500	2.500	0.250	4810
94544	1.000	1.500	2.750	0.250	5220
94548	1.000	1.500	3.000	0.250	5620
94556	1.000	1.500	3.500	0.250	6400
94564	1.000	1.500	4.000	0.250	7250
95512	1.000	1.625	0.750	0.313	1740
95516	1.000	1.625	1.000	0.313	2380
95520	1.000	1.625	1.250	0.313	2980
95524	1.000	1.625	1.500	0.313	3540
95528	1.000	1.625	1.750	0.313	4080
95532	1.000	1.625	2.000	0.313	4600
95536	1.000	1.625	2.250	0.313	5100
95540	1.000	1.625	2.500	0.313	5590
95544	1.000	1.625	2.750	0.313	6070
95548	1.000	1.625	3.000	0.313	6540
95556	1.000	1.625	3.500	0.313	7440
95564	1.000	1.625	4.000	0.313	8320
96516	1.000	1.750	1.000	0.375	2160
96524	1.000	1.750	1.500	0.375	3210
96528	1.000	1.750	1.750	0.375	3700
96532	1.000	1.750	2.000	0.375	4170

PART NUMBER	SHAFT DIAMETER A	OUTSIDE DIAMETER B	OPERATING SPACE C	ROLLER DIAMETER D	LOAD RATING 100 RPM
96536	1.000	1.750	2.250	0.375	4630
96540	1.000	1.750	2.500	0.375	5070
96544	1.000	1.750	2.750	0.375	5500
96548	1.000	1.750	3.000	0.375	5930
96556	1.000	1.750	3.500	0.375	6750
96564	1.000	1.750	4.000	0.375	7540
97532	1.000	1.875	2.000	0.438	5390
97540	1.000	1.875	2.500	0.438	6560
97548	1.000	1.875	3.000	0.438	7660
98516	1.000	2.000	1.000	0.500	2860
98524	1.000	2.000	1.500	0.500	4260
98532	1.000	2.000	2.000	0.500	5530
98540	1.000	2.000	2.500	0.500	6720
98548	1.000	2.000	3.000	0.500	7860
98556	1.000	2.000	3.500	0.500	7970
98564	1.000	2.000	4.000	0.500	10000
170824	1.063	2.063	1.500	0.500	3830
170828	1.063	2.063	1.750	0.500	4410
170832	1.063	2.063	2.000	0.500	4970
170840	1.063	2.063	2.500	0.500	6040
170848	1.063	2.063	3.000	0.500	7060
170856	1.063	2.063	3.500	0.500	7060
170864	1.063	2.063	4.000	0.500	8990
170880	1.063	2.063	5.000	0.500	10810
99061	1.094	1.688	1.750	0.297	3890
93612	1.125	1.500	0.750	0.188	1370
93616	1.125	1.500	1.000	0.188	1800
93620	1.125	1.500	1.250	0.188	2350
93624	1.125	1.500	1.500	0.188	2800
93626	1.125	1.500	1.625	0.188	8050
93628	1.125	1.500	1.750	0.188	3200
93632	1.125	1.500	2.000	0.188	3630
93636	1.125	1.500	2.250	0.188	4030
93640	1.125	1.500	2.500	0.188	4420
93644	1.125	1.500	2.750	0.188	4790
93648	1.125	1.500	3.000	0.188	5160
94612	1.125	1.625	0.750	0.250	1590
94616	1.125	1.625	1.000	0.250	2180
94620	1.125	1.625	1.250	0.250	2730
94622	1.125	1.625	1.375	0.250	2990
94624	1.125	1.625	1.500	0.250	3250
94626	1.125	1.625	1.625	0.250	3500
94628	1.125	1.625	1.750	0.250	3740
94632	1.125	1.625	2.000	0.250	4220
94636	1.125	1.625	2.250	0.250	4680
94640	1.125	1.625	2.500	0.250	5130
94644	1.125	1.625	2.750	0.250	5570
94648	1.125	1.625	3.000	0.250	6000
94656	1.125	1.625	3.500	0.250	6830
94664	1.125	1.625	4.000	0.250	7640
95616	1.125	1.750	1.000	0.313	2400
95620	1.125	1.750	1.250	0.313	3000
95624	1.125	1.750	1.500	0.313	3570
95628	1.125	1.750	1.750	0.313	4110
95630	1.125	1.750	1.875	0.313	4380
95632	1.125	1.750	2.000	0.313	4640
95636	1.125	1.750	2.250	0.313	5150
95640	1.125	1.750	2.500	0.313	5640

PART NUMBER	SHAFT DIAMETER A	OUTSIDE DIAMETER B	OPERATING SPACE C	ROLLER DIAMETER D	LOAD RATING 100 RPM
95644	1.125	1.750	2.750	0.313	6120
95648	1.125	1.750	1.000	0.313	6590
95656	1.125	1.750	3.500	0.313	7510
95664	1.125	1.750	4.000	0.313	8390
95680	1.125	1.750	5.000	0.313	10090
97616	1.125	2.000	1.000	0.438	2810
97624	1.125	2.000	1.500	0.438	4190
97632	1.125	2.000	2.000	0.438	6440
97640	1.125	2.000	2.500	0.438	6610
97648	1.125	2.000	3.000	0.438	7730
97664	1.125	2.000	4.000	0.438	9840
190416	1.188	1.688	1.000	0.250	2180
190424	1.188	1.688	1.500	0.250	3250
190432	1.188	1.688	2.000	0.250	4220
190440	1.188	1.688	2.500	0.250	5130
190448	1.188	1.688	3.000	0.250	6000
190520	1.188	1.813	1.250	0.313	3220
190524	1.188	1.813	1.500	0.313	3830
190532	1.188	1.813	2.000	0.313	4980
190540	1.188	1.813	2.500	0.313	6060
190548	1.188	1.813	1.000	0.313	7080
190556	1.188	1.813	3.500	0.313	8060
190564	1.188	1.813	4.000	0.313	9010
190640	1.188	1.938	2.500	0.375	6800
190644	1.188	1.938	2.750	0.375	6800
190824	1.188	2.188	1.500	0.500	4330
190832	1.188	2.188	2.000	0.500	5630
190840	1.188	2.188	2.500	0.500	6850
190848	1.188	2.188	1.000	0.500	8000
190864	1.188	2.188	4.000	0.500	10190
190880	1.188	2.188	5.000	0.500	12240
93712	1.250	1.625	0.750	0.188	1440
93714	1.250	1.625	0.875	0.188	1710
93716	1.250	1.625	1.000	0.188	1970
93720	1.250	1.625	1.250	0.188	2470
93722	1.250	1.625	1.375	0.188	2700
93724	1.250	1.625	1.500	0.188	2930
93726	1.250	1.625	1.625	0.188	3160
93728	1.250	1.625	1.750	0.188	3380
93732	1.250	1.625	2.000	0.188	3810
93736	1.250	1.625	2.250	0.188	4230
93740	1.250	1.625	2.500	0.188	4640
93744	1.250	1.625	2.750	0.188	5030
93748	1.250	1.625	1.000	0.188	5420
94712	1.250	1.750	0.750	0.250	1690
94716	1.250	1.750	1.000	0.250	2320
94720	1.250	1.750	1.250	0.250	2900
94724	1.250	1.750	1.500	0.250	3450
94726	1.250	1.750	1.625	0.250	3710
94728	1.250	1.750	1.750	0.250	3980
94732	1.250	1.750	2.000	0.250	4480
94736	1.250	1.750	2.250	0.250	4970
94740	1.250	1.750	2.500	0.250	5450
94744	1.250	1.750	2.750	0.250	5910
94748	1.250	1.750	3.000	0.250	6370
94756	1.250	1.750	3.500	0.250	7250
94764	1.250	1.750	4.000	0.250	8110
95716	1.250	1.875	1.000	0.313	2600

PART NUMBER	SHAFT DIAMETER A	OUTSIDE DIAMETER B	OPERATING SPACE C	ROLLER DIAMETER D	LOAD RATING 100 RPM
95718	1.250	1.875	1.125	0.313	2930
95720	1.250	1.875	1.250	0.313	3250
95724	1.250	1.875	1.500	0.313	3870
95728	1.250	1.875	1.750	0.313	4460
95732	1.250	1.875	2.000	0.313	5020
95736	1.250	1.875	2.250	0.313	5570
95740	1.250	1.875	2.500	0.313	6110
95744	1.250	1.875	2.750	0.313	6630
95748	1.250	1.875	3.000	0.313	7140
95756	1.250	1.875	3.500	0.313	8130
95764	1.250	1.875	4.000	0.313	9090
96716	1.250	2.000	1.000	0.375	2890
96720	1.250	2.000	1.250	0.375	3620
96724	1.250	2.000	1.500	0.375	4310
96728	1.250	2.000	1.750	0.375	4960
96732	1.250	2.000	2.000	0.375	5590
96736	1.250	2.000	2.250	0.375	6210
96740	1.250	2.000	2.500	0.375	6800
96744	1.250	2.000	2.750	0.375	7380
96748	1.250	2.000	3.000	0.375	7950
96756	1.250	2.000	3.500	0.375	9050
96764	1.250	2.000	4.000	0.375	10120
96780	1.250	2.000	5.000	0.375	12160
96796	1.250	2.000	6.000	0.375	14110
97718	1.250	2.125	1.125	0.438	3230
97724	1.250	2.125	1.500	0.438	4260
97728	1.250	2.125	1.750	0.438	4910
97732	1.250	2.125	2.000	0.438	5540
97740	1.250	2.125	2.500	0.438	6730
97748	1.250	2.125	1.000	0.438	7870
97764	1.250	2.125	4.000	0.438	10020
97780	1.250	2.125	5.000	0.438	12040
98724	1.250	2.250	1.500	0.500	4330
98732	1.250	2.250	2.000	0.500	5630
98740	1.250	2.250	2.500	0.500	6850
98748	1.250	2.250	3.000	0.500	8000
98756	1.250	2.250	3.500	0.500	9110
98764	1.250	2.250	4.000	0.500	10190
98780	1.250	2.250	5.000	0.500	12240
99720	1.250	2.375	1.250	0.563	4530
99724	1.250	2.375	1.500	0.563	5390
99728	1.250	2.375	1.750	0.563	6210
99732	1.250	2.375	2.000	0.563	7000
99740	1.250	2.375	2.500	0.563	8510
99747	1.250	2.375	2.938	0.563	9770
99748	1.250	2.375	1.000	0.563	9950
99764	1.250	2.375	4.000	0.563	12260
99780	1.250	2.375	5.000	0.563	15220
201032	1.250	2.500	2.000	0.625	7030
201040	1.250	2.500	2.500	0.625	8540
201048	1.250	2.500	3.000	0.625	9990
201064	1.250	2.500	4.000	0.625	12710
210440	1.313	1.813	2.500	0.250	6070
210448	1.313	1.813	3.000	0.250	7090
210464	1.313	1.813	4.000	0.250	9030
210632	1.313	2.063	2.000	0.375	7650
210824	1.313	2.313	1.500	0.500	4370
210848	1.313	2.313	3.000	0.500	8070

PART NUMBER	SHAFT DIAMETER A	OUTSIDE DIAMETER B	OPERATING SPACE C	ROLLER DIAMETER D	LOAD RATING 100 RPM
94816	1.375	1.875	1.000	0.250	2450
94820	1.375	1.875	1.250	0.250	3070
94824	1.375	1.875	1.500	0.250	31350
94826	1.375	1.875	1.625	0.250	3930
94828	1.375	1.875	1.750	0.250	4200
94832	1.375	1.875	2.000	0.250	4740
94836	1.375	1.875	2.250	0.250	5260
94840	1.375	1.875	2.500	0.250	5760
94848	1.375	1.875	3.000	0.250	6730
95816	1.375	2.000	1.000	0.313	2700
95824	1.375	2.000	1.500	0.313	4130
95828	1.375	2.000	1.750	0.313	4760
95832	1.375	2.000	2.000	0.313	5360
95840	1.375	2.000	2.500	0.313	6520
95848	1.375	2.000	3.000	0.313	7620
95864	1.375	2.000	4.000	0.313	9700
96832	1.375	2.125	2.000	0.375	5640
96848	1.375	2.125	3.000	0.375	8020
96864	1.375	2.125	4.000	0.375	10210
96880	1.375	2.125	5.000	0.375	12270
98816	1.375	2.375	1.000	0.500	3250
98819	1.375	2.375	1.188	0.500	3860
98824	1.375	2.375	1.500	0.500	4830
98828	1.375	2.375	1.750	0.500	5570
98832	1.375	2.375	2.000	0.500	6280
98840	1.375	2.375	2.500	0.500	7630
98848	1.375	2.375	3.000	0.500	8920
98856	1.375	2.375	3.500	0.500	10160
98864	1.375	2.375	4.000	0.500	11360
98880	1.375	2.375	5.000	0.500	13650
230148	1.438	1.875	3.000	0.219	1340
230320	1.438	1.813	1.250	0.188	2650
230328	1.438	1.813	1.750	0.188	3630
230924	1.438	2.563	1.500	0.563	5480
230932	1.438	2.563	2.000	0.563	7120
230940	1.438	2.563	2.500	0.563	8660
230948	1.438	2.563	1.000	0.563	10130
230964	1.438	2.563	4.000	0.563	12890
230980	1.438	2.563	5.000	0.563	15490
94916	1.500	2.000	1.000	0.250	2690
94920	1.500	2.000	1.250	0.250	3360
94924	1.500	2.000	1.500	0.250	4000
94928	1.500	2.000	1.750	0.250	4610
94932	1.500	2.000	2.000	0.250	5190
94940	1.500	2.000	2.500	0.250	6310
94948	1.500	2.000	3.000	0.250	7380
94952	1.500	2.000	3.250	0.250	7900
94956	1.500	2.000	3.500	0.250	8410
95912	1.500	2.125	0.750	0.313	1900
95913	1.500	2.125	0.813	0.313	2080
95916	1.500	2.125	1.000	0.313	2600
95918	1.500	2.125	1.125	0.313	2930
95920	1.500	2.125	1.250	0.313	3250
95924	1.500	2.125	1.500	0.313	3870
95928	1.500	2.125	1.750	0.313	4460
95932	1.500	2.125	2.000	0.313	5020
95936	1.500	2.125	2.250	0.313	5570
95940	1.500	2.125	2.500	0.313	6110

PART NUMBER	SHAFT DIAMETER A	OUTSIDE DIAMETER B	OPERATING SPACE C	ROLLER DIAMETER D	LOAD RATING 100 RPM
95944	1.500	2.125	2.750	0.313	6630
95948	1.500	2.125	1.000	0.313	7140
95956	1.500	2.125	3.500	0.313	8130
95964	1.500	2.125	4.000	0.313	9090
96928	1.500	2.250	1.750	0.375	5790
96932	1.500	2.250	2.000	0.375	6520
96936	1.500	2.250	2.250	0.375	7240
96940	1.500	2.250	2.500	0.375	7930
96941	1.500	2.250	2.563	0.375	8100
96942	1.500	2.250	2.625	0.375	8270
96948	1.500	2.250	3.000	0.375	9270
96956	1.500	2.250	3.500	0.375	10560
96964	1.500	2.250	4.000	0.375	11800
96980	1.500	2.250	5.000	0.375	14190
97924	1.500	2.375	1.500	0.438	4690
97932	1.500	2.375	2.000	0.438	6100
97940	1.500	2.375	2.500	0.438	7420
97948	1.500	2.375	3.000	0.438	8670
97964	1.500	2.375	4.000	0.438	11040
97980	1.500	2.375	5.000	0.438	13260
98916	1.500	2.500	1.000	0.500	3300
98920	1.500	2.500	1.250	0.500	4890
98924	1.500	2.500	1.500	0.500	5810
98932	1.500	2.500	2.000	0.500	7550
98934	1.500	2.500	2.125	0.500	7970
98940	1.500	2.500	2.500	0.500	9180
98948	1.500	2.500	3.000	0.500	10740
98964	1.500	2.500	4.000	0.500	13670
98980	1.500	2.500	5.000	0.500	16430
99924	1.500	2.625	1.500	0.563	5480
99928	1.500	2.625	1.750	0.563	6320
99932	1.500	2.625	2.000	0.563	7120
99940	1.500	2.625	2.500	0.563	8660
99948	1.500	2.625	3.000	0.563	10130
99964	1.500	2.625	4.000	0.563	12890
99980	1.500	2.625	5.000	0.563	15490
260624	1.625	2.375	1.500	0.375	5020
260632	1.625	2.375	2.000	0.375	6520
260638	1.625	2.375	2.375	0.375	7590
260640	1.625	2.375	2.500	0.375	7930
260648	1.625	2.375	3.000	0.375	9270
260656	1.625	2.375	3.500	0.375	10560
260664	1.625	2.375	4.000	0.375	11800
260680	1.625	2.375	5.000	0.375	14190
260924	1.625	2.750	1.500	0.563	5580
260932	1.625	2.750	2.000	0.563	7250
260936	1.625	2.750	2.250	0.563	8040
260940	1.625	2.750	2.500	0.563	8820
260948	1.625	2.750	3.000	0.563	10310
260964	1.625	2.750	4.000	0.563	13120
260980	1.625	2.750	5.000	0.563	15770
270313	1.688	2.063	0.813	0.188	1920
270416	1.688	2.188	1.000	0.250	2560
270424	1.688	2.188	1.500	0.250	3810
270428	1.688	2.188	1.750	0.250	4390
270440	1.688	2.188	2.500	0.250	6020
280416	1.750	2.250	1.000	0.250	2930
280418	1.750	2.250	1.125	0.250	3310

PART NUMBER	SHAFT DIAMETER A	OUTSIDE DIAMETER B	OPERATING SPACE C	ROLLER DIAMETER D	LOAD RATING 100 RPM
280420	1.750	2.250	1.250	0.250	3670
280424	1.750	2.250	1.500	0.250	4370
280428	1.750	2.250	1.750	0.250	5030
280432	1.750	2.250	2.000	0.250	5670
280440	1.750	2.250	2.500	0.250	6900
280448	1.750	2.250	3.000	0.250	8060
280456	1.750	2.250	3.500	0.250	9180
280516	1.750	2.375	1.000	0.313	3280
280520	1.750	2.375	1.250	0.313	4100
280524	1.750	2.375	1.500	0.313	4880
280528	1.750	2.375	1.750	0.313	5620
280532	1.750	2.375	2.000	0.313	6340
280540	1.750	2.375	2.500	0.313	7710
280548	1.750	2.375	3.000	0.313	9010
280556	1.750	2.375	3.500	0.313	10260
280564	1.750	2.375	4.000	0.313	11470
280624	1.750	2.500	1.500	0.375	5640
280632	1.750	2.500	2.000	0.375	7320
280640	1.750	2.500	2.500	0.375	8900
280648	1.750	2.500	3.000	0.375	10410
280830	1.750	2.750	1.875	0.500	7790
280832	1.750	2.750	2.000	0.500	8250
280840	1.750	2.750	2.500	0.500	10040
280842	1.750	2.750	2.625	0.500	10470
280844	1.750	2.750	2.750	0.500	10890
280848	1.750	2.750	3.000	0.500	11730
280856	1.750	2.750	3.500	0.500	13360
280924	1.750	2.875	1.500	0.563	6150
280932	1.750	2.875	2.000	0.563	7990
280940	1.750	2.875	2.500	0.563	9710
280948	1.750	2.875	3.000	0.563	11360
280964	1.750	2.875	4.000	0.563	14460
280980	1.750	2.875	5.000	0.563	17370
280996	1.750	2.875	6.000	0.563	20160
281024	1.750	3.000	1.500	0.625	6250
281028	1.750	3.000	1.750	0.625	7200
281032	1.750	3.000	2.000	0.625	8120
281036	1.750	3.000	2.250	0.625	9010
281040	1.750	3.000	2.500	0.625	9870
281048	1.750	3.000	3.000	0.625	11540
281056	1.750	3.000	3.500	0.625	13140
281064	1.750	3.000	4.000	0.625	14690
281080	1.750	3.000	5.000	0.625	17660
290416	1.813	2.313	1.000	0.250	2880
290424	1.813	2.313	1.500	0.250	4290
290432	1.813	2.313	2.000	0.250	5580
290440	1.813	2.313	2.500	0.250	6780
290448	1.813	2.313	3.000	0.250	7920
300316	1.875	2.250	1.000	0.188	2970
300326	1.875	2.250	1.625	0.188	4760
300332	1.875	2.250	2.000	0.188	5740
300518	1.875	2.500	1.125	0.313	4200
300540	1.875	2.500	2.500	0.313	8760
300548	1.875	2.500	3.000	0.313	10250
300916	1.875	3.000	1.000	0.563	4470
300932	1.875	3.000	2.000	0.563	8650
300940	1.875	3.000	2.500	0.563	10510
300948	1.875	3.000	3.000	0.563	12290

PART NUMBER	SHAFT DIAMETER A	OUTSIDE DIAMETER B	OPERATING SPACE C	ROLLER DIAMETER D	LOAD RATING 100 RPM
300964	1.875	3.000	4.000	0.563	15640
300980	1.875	3.000	5.000	0.563	18800
300996	1.875	3.000	6.000	0.563	21820
310516	1.938	2.563	1.000	0.313	3410
310524	1.938	2.563	1.500	0.313	5080
310532	1.938	2.563	2.000	0.313	6600
310540	1.938	2.563	2.500	0.313	8020
310544	1.938	2.563	2.750	0.313	8710
310548	1.938	2.563	3.000	0.313	9380
311032	1.938	3.188	2.000	0.625	9680
311040	1.938	3.188	2.500	0.625	11770
311048	1.938	3.188	3.000	0.625	13760
311056	1.938	3.188	3.500	0.625	15670
311064	1.938	3.188	4.000	0.625	17520
311072	1.938	3.188	4.500	0.625	19310
311080	1.938	3.188	5.000	0.625	21060
311096	1.938	3.188	6.000	0.625	24430
320318	2.000	2.375	1.125	0.188	3010
320324	2.000	2.375	1.500	0.188	3970
320420	2.000	2.500	1.250	0.250	4610
320430	2.000	2.500	1.875	0.250	6730
320432	2.000	2.500	2.000	0.250	7130
320516	2.000	2.625	1.000	0.313	3730
320524	2.000	2.625	1.500	0.313	5550
320528	2.000	2.625	1.750	0.313	6390
320532	2.000	2.625	2.000	0.313	7210
320540	2.000	2.625	2.500	0.313	8760
320548	2.000	2.625	3.000	0.313	10250
320556	2.000	2.625	3.500	0.313	11670
320564	2.000	2.625	4.000	0.313	13040
320616	2.000	2.750	1.000	0.375	3790
320628	2.000	2.750	1.750	0.375	6500
320630	2.000	2.750	1.875	0.375	6910
320632	2.000	2.750	2.000	0.375	8090
320636	2.000	2.750	2.250	0.375	8130
320640	2.000	2.750	2.500	0.375	9840
320648	2.000	2.750	3.000	0.375	10410
320732	2.000	2.875	2.000	0.438	7700
320740	2.000	2.875	2.500	0.438	9360
320748	2.000	2.875	3.000	0.438	10940
320764	2.000	2.875	4.000	0.438	13930
320824	2.000	3.000	1.500	0.500	5970
320826	2.000	3.000	1.625	0.500	6420
320828	2.000	3.000	1.750	0.500	6870
320832	2.000	3.000	2.000	0.500	7750
320840	2.000	3.000	2.500	0.500	9420
320848	2.000	3.000	3.000	0.500	11020
320864	2.000	3.000	4.000	0.500	14020
320874	2.000	3.000	4.625	0.500	15810
320880	2.000	3.000	5.000	0.500	16850
320948	2.000	3.125	3.000	0.563	11450
321024	2.000	3.250	1.500	0.625	6890
321028	2.000	3.250	1.750	0.625	7940
321032	2.000	3.250	2.000	0.625	8950
321040	2.000	3.250	2.500	0.625	10880
321048	2.000	3.250	3.000	0.625	12720
321056	2.000	3.250	3.500	0.625	14480
321064	2.000	3.250	4.000	0.625	16190

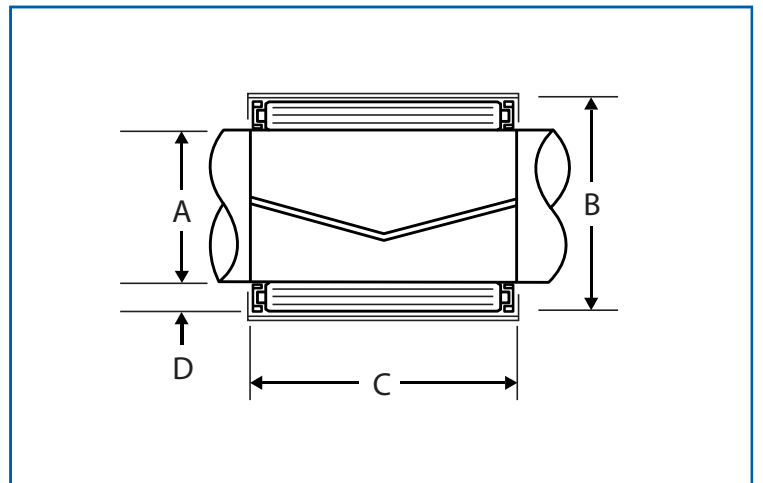
PART NUMBER	SHAFT DIAMETER A	OUTSIDE DIAMETER B	OPERATING SPACE C	ROLLER DIAMETER D	LOAD RATING 100 RPM
321072	2.000	3.250	4.500	0.625	17840
321080	2.000	3.250	5.000	0.625	19460
321096	2.000	3.250	6.000	0.625	22570
330620	2.063	2.813	1.250	0.375	5240
330628	2.063	2.813	1.750	0.375	7180
330928	2.063	3.188	1.750	0.563	8870
340416	2.125	2.625	1.000	0.250	2880
340420	2.125	2.625	1.250	0.250	3610
340424	2.125	2.625	1.500	0.250	4290
340440	2.125	2.625	2.500	0.250	6780
340448	2.125	2.625	3.000	0.250	7920
340522	2.125	2.750	1.375	0.313	5110
340524	2.125	2.750	1.500	0.313	5550
340532	2.125	2.750	2.000	0.313	7210
340540	2.125	2.750	2.500	0.313	8760
340548	2.125	2.750	3.000	0.313	10250
340556	2.125	2.750	3.500	0.313	11670
340571	2.125	2.750	4.438	0.313	14210
340616	2.125	2.875	1.000	0.375	4190
340628	2.125	2.875	1.750	0.375	7180
340648	2.125	2.875	3.000	0.375	11510
341444	2.125	3.875	2.750	0.875	14980
350418	2.188	2.688	1.125	0.250	3680
350648	2.188	2.938	3.000	0.375	12570
350656	2.188	2.938	3.500	0.375	14310
351448	2.188	3.938	3.000	0.875	16130
351464	2.188	3.938	4.000	0.875	20540
351480	2.188	3.938	5.000	0.875	24680
351496	2.188	3.938	6.000	0.875	28640
360416	2.250	2.750	1.000	0.250	3260
360424	2.250	2.750	1.500	0.250	4860
360432	2.250	2.750	2.000	0.250	6310
360440	2.250	2.750	2.500	0.250	7670
360448	2.250	2.750	3.000	0.250	8970
360456	2.250	2.750	3.500	0.250	10220
360464	2.250	2.750	4.000	0.250	11420
361024	2.250	3.500	1.500	0.625	8620
361032	2.250	3.500	2.000	0.625	11200
361040	2.250	3.500	2.500	0.625	13610
361048	2.250	3.500	3.000	0.625	15920
361064	2.250	3.500	4.000	0.625	20260
361080	2.250	3.500	5.000	0.625	24350
361096	2.250	3.500	6.000	0.625	28250
361448	2.250	4.000	3.000	0.875	16280
361464	2.250	4.000	4.000	0.875	20720
361480	2.250	4.000	5.000	0.875	24900
361496	2.250	4.000	6.000	0.875	28890
380416	2.375	2.875	1.000	0.250	3480
380424	2.375	2.875	1.500	0.250	5190
380428	2.375	2.875	1.750	0.250	5980
380432	2.375	2.875	2.000	0.250	4010
380440	2.375	2.875	2.500	0.250	8190
380448	2.375	2.875	3.000	0.250	9580
380456	2.375	2.875	3.500	0.250	10910
380614	2.375	3.125	0.875	0.375	3430
380615	2.375	3.125	0.937	0.375	4240
380619	2.375	3.125	1.187	0.375	5390
380620	2.375	3.125	1.250	0.375	4950

PART NUMBER	SHAFT DIAMETER A	OUTSIDE DIAMETER B	OPERATING SPACE C	ROLLER DIAMETER D	LOAD RATING 100 RPM
380628	2.375	3.125	1.750	0.375	7780
380632	2.375	3.125	2.000	0.375	8770
380645	2.375	3.125	2.812	0.375	10290
380648	2.375	3.125	3.000	0.375	10870
380650	2.375	3.125	3.125	0.375	11250
99053	2.438	3.063	1.219	0.313	4840
400516	2.500	3.125	1.000	0.313	4260
400518	2.500	3.125	1.125	0.313	4800
400532	2.500	3.125	2.000	0.313	8240
400540	2.500	3.125	2.500	0.313	10010
400548	2.500	3.125	3.000	0.313	11710
400556	2.500	3.125	3.500	0.313	13330
400564	2.500	3.125	4.000	0.313	14900
400616	2.500	3.250	1.000	0.375	4150
400624	2.500	3.250	1.500	0.375	6180
400632	2.500	3.250	2.000	0.375	8030
400640	2.500	3.250	2.500	0.375	9760
400648	2.500	3.250	3.000	0.375	11410
400656	2.500	3.250	3.500	0.375	12990
400664	2.500	3.250	4.000	0.375	14520
401096	2.500	3.750	6.000	0.625	24850
401148	2.500	3.875	3.000	0.688	15380
401164	2.500	3.875	4.000	0.688	19570
401180	2.500	3.875	5.000	0.688	23530
401196	2.500	3.875	6.000	0.688	27300
401272NA	2.500	4.000	4.500	0.750	4340
401280NA	2.500	4.000	5.000	0.750	4732
401288	2.500	4.000	5.500	0.750	25580
401288NA	2.500	4.000	5.500	0.750	5116
401296NA	2.500	4.000	6.000	0.750	5492
401524	2.500	4.375	1.500	0.938	9490
401540	2.500	4.375	2.500	0.938	15000
401548	2.500	4.375	3.000	0.938	17530
401564	2.500	4.375	4.000	0.938	22310
401580	2.500	4.375	5.000	0.938	26820
401596	2.500	4.375	6.000	0.938	31120
420420	2.625	3.125	1.250	0.250	3730
420424	2.625	3.125	1.500	0.250	4440
99075	2.688	3.313	1.250	0.313	5190
441148	2.750	4.125	3.000	0.688	17780
441164	2.750	4.125	4.000	0.688	22630
441180	2.750	4.125	5.000	0.688	27200
441196	2.750	4.125	6.000	0.688	31560
441524	2.750	4.625	2.625	0.938	10550
441532	2.750	4.625	2.000	0.938	13710
441548	2.750	4.625	3.000	0.938	19490
441564	2.750	4.625	4.000	0.938	24810
441580	2.750	4.625	5.000	0.938	29810
441596	2.750	4.625	6.000	0.938	34590
460524	2.875	3.500	1.500	0.313	6170
460532	2.875	3.500	2.000	0.313	8020
460540	2.875	3.500	2.500	0.313	9750
460548	2.875	3.500	3.000	0.313	11400
460556	2.875	3.500	3.500	0.313	12980
460564	2.875	3.500	4.000	0.313	14510
460816	2.875	3.875	1.000	0.500	5700
460822	2.875	3.875	1.375	0.500	7820
460824	2.875	3.875	1.500	0.500	8490

PART NUMBER	SHAFT DIAMETER A	OUTSIDE DIAMETER B	OPERATING SPACE C	ROLLER DIAMETER D	LOAD RATING 100 RPM
460828	2.875	3.875	1.750	0.500	9780
460831	2.875	3.875	1.937	0.500	10720
460832	2.875	3.875	2.000	0.500	11030
460840	2.875	3.875	2.500	0.500	13410
460848	2.875	3.875	3.000	0.500	15670
480518	3.000	3.625	1.125	0.313	5360
480524	3.000	3.625	1.500	0.313	7070
480532	3.000	3.625	2.000	0.313	9190
480540	3.000	3.625	2.500	0.313	11170
480548	3.000	3.625	3.000	0.313	13060
480556	3.000	3.625	3.500	0.313	14870
480564	3.000	3.625	4.000	0.313	16620
481064	3.000	4.250	4.000	0.625	24150
481080	3.000	4.250	5.000	0.625	29030
481096	3.000	4.250	6.000	0.625	33680
481264	3.000	4.500	4.000	0.750	23280
481280	3.000	4.500	5.000	0.750	27980
481296	3.000	4.500	6.000	0.750	32470
4816112NA	3.000	5.000	7.000	1.000	8150
481628	3.000	5.000	1.750	1.000	13030
481640	3.000	5.000	2.500	1.000	17870
481648	3.000	5.000	3.000	1.000	20890
481656	3.000	5.000	3.500	1.000	23790
481664	3.000	5.000	4.000	1.000	26590
481672	3.000	5.000	4.500	1.000	29310
481680	3.000	5.000	5.000	1.000	31950
481696	3.000	5.000	6.000	1.000	37080
99074	3.063	3.813	1.250	0.375	5580
520532	3.250	3.875	2.000	0.313	8930
520540	3.250	3.875	2.500	0.313	10860
520548	3.250	3.875	3.000	0.313	12690
520556	3.250	3.875	3.500	0.313	14450
540517	3.375	4.000	1.063	0.313	40190
540518	3.375	4.000	1.125	0.313	28040
540840	3.375	4.375	2.500	0.500	14520
540848	3.375	4.375	3.000	0.500	16970
550632	3.438	4.188	2.000	0.375	10410
550640	3.438	4.188	2.500	0.375	12660
550648	3.438	4.188	3.000	0.375	14800
550656	3.438	4.188	3.500	0.375	16860
550664	3.438	4.188	4.000	0.375	18840
550680	3.438	4.188	6.000	0.375	22650
550696	3.438	4.188	6.000	0.375	26280
561440	3.500	5.250	2.500	0.875	18460
561448	3.500	5.250	3.000	0.875	21580
561464	3.500	5.250	4.000	0.875	27470
561480	3.500	5.250	5.000	0.875	33020
561496	3.500	5.250	6.000	0.875	38310
5618112	3.500	5.750	7.000	1.125	52030
561840	3.500	5.750	2.500	1.125	22140
561848	3.500	5.750	3.000	1.125	25880
561864	3.500	5.750	4.000	1.125	32940
561880	3.500	5.750	5.000	1.125	39590
561896	3.500	5.750	6.000	1.125	45930
99063	3.875	4.625	1.313	0.375	6500
620632	3.875	4.625	2.000	0.375	9580
620640	3.875	4.625	2.500	0.375	11650
640832	4.000	5.000	2.000	0.500	14560

PART NUMBER	SHAFT DIAMETER A	OUTSIDE DIAMETER B	OPERATING SPACE C	ROLLER DIAMETER D	LOAD RATING 100 RPM
640835	4.000	5.000	2.188	0.500	15760
640848	4.000	5.000	3.000	0.500	20700
640880	4.000	5.000	5.000	0.500	31670
99080	4.125	4.750	0.938	0.313	4820
660532	4.125	4.750	2.000	0.313	9960
660540	4.125	4.750	2.500	0.313	12110
660548	4.125	4.750	3.000	0.313	14160
660556	4.125	4.750	3.500	0.313	16120
660564	4.125	4.750	4.000	0.313	18020
720832	4.500	5.500	2.000	0.500	14180
720840	4.500	5.500	2.500	0.500	17250
720848	4.500	5.500	3.000	0.500	20160
720856	4.500	5.500	3.500	0.500	22960
720864	4.500	5.500	4.000	0.500	25660
720880	4.500	5.500	5.000	0.500	30850
722040	4.500	7.000	2.500	1.250	26850
722064	4.500	7.000	4.000	1.250	39960
722080	4.500	7.000	5.000	1.250	48030
722096	4.500	7.375	6.000	1.250	55720
840824	5.250	6.250	1.500	0.500	11390
840864	5.250	6.250	4.000	0.500	26770
881656	5.500	7.500	3.500	1.000	35800
900864	5.625	6.625	4.000	0.500	29260
900880	5.625	6.625	5.000	0.500	35160
960632	6.000	6.750	2.000	0.375	13910
962064	6.000	8.500	4.000	1.250	48290
962080	6.000	8.500	5.000	1.250	58040
962096	6.000	8.500	6.000	1.250	67340
1240632	7.750	8.500	2.000	0.375	15690

STANDARD ROLLER BEARINGS WITH SPLIT OUTER RACE



Do you require a product that you don't see here? Berliss offers a wide variety of custom bearings for any special application.

PART NUMBER	SHAFT DIAMETER A	OUTSIDE DIAMETER B	OPERATING SPACE C	ROLLER DIAMETER D
HP93012	0.375	0.812	0.750	0.188
HP93016	0.375	0.812	1.000	0.188
HP93020	0.375	0.812	1.250	0.188
HP93024	0.375	0.812	1.500	0.188
HP93028	0.375	0.812	1.750	0.188
HP93032	0.375	0.812	2.000	0.188
HP07216	0.438	0.812	1.000	0.156
HP07220	0.438	0.812	1.250	0.156
HP07224	0.438	0.812	1.500	0.156
HP92120	0.500	0.875	1.250	0.156
HP93112	0.500	0.937	0.750	0.188
HP93116	0.500	0.937	1.000	0.188
HP93118	0.500	0.937	1.125	0.188
HP93120	0.500	0.937	1.250	0.188
HP93122	0.500	0.937	1.375	0.188
HP93124	0.500	0.937	1.500	0.188

PART NUMBER	SHAFT DIAMETER A	OUTSIDE DIAMETER B	OPERATING SPACE C	ROLLER DIAMETER D
HP93126	0.500	0.937	1.625	0.188
HP93128	0.500	0.937	1.750	0.188
HP93132	0.500	0.937	2.000	0.188
HP94112	0.500	1.062	0.750	0.250
HP94116	0.500	1.062	1.000	0.250
HP94118	0.500	1.062	1.125	0.250
HP94120	0.500	1.062	1.250	0.250
HP94122	0.500	1.062	1.375	0.250
HP94124	0.500	1.062	1.500	0.250
HP94128	0.500	1.062	1.750	0.250
HP94132	0.500	1.062	2.000	0.250
HP94140	0.500	1.062	2.500	0.250
HP94136	0.500	1.062	2.250	0.250
HP95112	0.500	1.187	0.750	0.313
HP95116	0.500	1.187	1.000	0.313
HP95120	0.500	1.187	1.250	0.313
HP95122	0.500	1.187	1.375	0.313
HP95124	0.500	1.187	1.500	0.313
HP95128	0.500	1.187	1.750	0.313
HP95130	0.500	1.187	1.875	0.313
HP95132	0.500	1.187	2.000	0.313
HP95140	0.500	1.187	2.500	0.313
HP95136	0.500	1.187	2.250	0.313
HP95148	0.500	1.187	3.000	0.313
HP09316	0.563	1.000	1.000	0.188
HP09318	0.563	1.000	1.125	0.188
HP09320	0.563	1.000	1.250	0.188
HP09322	0.563	1.000	1.375	0.188
HP09323	0.563	1.000	1.438	0.188
HP09324	0.563	1.000	1.500	0.188
HP09326	0.563	1.000	1.625	0.188
HP09416	0.563	1.125	1.000	0.250
HP09418	0.563	1.125	1.125	0.250
HP09420	0.563	1.125	1.250	0.250
HP09422	0.563	1.125	1.375	0.250
HP09424	0.563	1.125	1.500	0.250
HP09426	0.563	1.125	1.625	0.250
HP09428	0.563	1.125	1.750	0.250
HP09432	0.563	1.125	2.000	0.250
HP09440	0.563	1.125	2.500	0.250
HP92216	0.625	1.000	1.000	0.156
HP92220	0.625	1.000	1.250	0.156
HP92222	0.625	1.000	1.375	0.156
HP92223	0.625	1.000	1.438	0.156
HP92224	0.625	1.000	1.500	0.156
HP93212	0.625	1.062	0.750	0.188
HP93216	0.625	1.062	1.000	0.188
HP93218	0.625	1.062	1.125	0.188
HP93220	0.625	1.062	1.250	0.188
HP93222	0.625	1.062	1.375	0.188
HP93224	0.625	1.062	1.500	0.188
HP93228	0.625	1.062	1.750	0.188
HP93230	0.625	1.062	1.875	0.188
HP93232	0.625	1.062	2.000	0.188
HP93240	0.625	1.062	2.500	0.188
HP94212	0.625	1.187	0.750	0.250
HP94216	0.625	1.187	1.000	0.250
HP94218	0.625	1.187	1.125	0.250

PART NUMBER	SHAFT DIAMETER A	OUTSIDE DIAMETER B	OPERATING SPACE C	ROLLER DIAMETER D
HP94220	0.625	1.187	1.250	0.250
HP94222	0.625	1.187	1.375	0.250
HP94223	0.625	1.187	1.438	0.250
HP94224	0.625	1.187	1.500	0.250
HP94226	0.625	1.187	1.625	0.250
HP94228	0.625	1.187	1.750	0.250
HP94230	0.625	1.187	1.875	0.250
HP94232	0.625	1.187	2.000	0.250
HP94236	0.625	1.187	2.250	0.250
HP94240	0.625	1.187	2.500	0.250
HP94244	0.625	1.187	2.750	0.250
HP94248	0.625	1.187	3.000	0.250
HP95216	0.625	1.312	1.000	0.313
HP95220	0.625	1.312	1.250	0.313
HP95224	0.625	1.312	1.500	0.313
HP95228	0.625	1.312	1.750	0.313
HP95232	0.625	1.312	2.000	0.313
HP95236	0.625	1.312	2.250	0.313
HP95240	0.625	1.312	2.500	0.313
HP96216	0.625	1.437	1.000	0.375
HP96224	0.625	1.437	1.500	0.375
HP96228	0.625	1.437	1.750	0.375
HP96232	0.625	1.437	2.000	0.375
HP96240	0.625	1.437	2.500	0.375
HP96248	0.625	1.437	3.000	0.375
HP110216	0.688	1.062	1.000	0.156
HP110220	0.688	1.062	1.250	0.156
HP110316	0.688	1.125	1.000	0.188
HP110320	0.688	1.125	1.250	0.188
HP93312	0.750	1.187	0.750	0.188
HP93316	0.750	1.187	1.000	0.188
HP93318	0.750	1.187	1.125	0.188
HP93320	0.750	1.187	1.250	0.188
HP93322	0.750	1.187	1.375	0.188
HP93323	0.750	1.187	1.438	0.188
HP93324	0.750	1.187	1.500	0.188
HP93326	0.750	1.187	1.625	0.188
HP93328	0.750	1.187	1.750	0.188
HP93330	0.750	1.187	1.875	0.188
HP93332	0.750	1.187	2.000	0.188
HP93340	0.750	1.187	2.500	0.188
HP93336	0.750	1.187	2.250	0.188
HP93344	0.750	1.187	2.750	0.188
HP93348	0.750	1.187	3.000	0.188
HP94316	0.750	1.312	1.000	0.250
HP94318	0.750	1.312	1.125	0.250
HP94320	0.750	1.312	1.250	0.250
HP94324	0.750	1.312	1.500	0.250
HP94326	0.750	1.312	1.625	0.250
HP94328	0.750	1.312	1.750	0.250
HP94330	0.750	1.312	1.875	0.250
HP94332	0.750	1.312	2.000	0.250
HP94340	0.750	1.312	2.500	0.250
HP94336	0.750	1.312	2.250	0.250
PA94324	0.750	1.375	1.500	0.250
PA94328	0.750	1.375	1.750	0.250
HPA94332	0.750	1.375	2.000	0.250
PA94332	0.750	1.375	2.000	0.250

PART NUMBER	SHAFT DIAMETER A	OUTSIDE DIAMETER B	OPERATING SPACE C	ROLLER DIAMETER D
HP95312	0.750	1.437	0.750	0.313
HP95316	0.750	1.437	1.000	0.313
HP95320	0.750	1.437	1.250	0.313
HP95324	0.750	1.437	1.500	0.313
HP95328	0.750	1.437	1.750	0.313
HP95332	0.750	1.437	2.000	0.313
HP95336	0.750	1.437	2.250	0.313
HP95340	0.750	1.437	2.500	0.313
HP95344	0.750	1.437	2.750	0.313
HP95348	0.750	1.437	3.000	0.313
PA95324	0.750	1.500	1.500	0.313
PA95332	0.750	1.500	2.000	0.313
PA95340	0.750	1.500	2.500	0.313
HPA95340	0.750	1.500	2.500	0.313
HP96328	0.750	1.562	1.750	0.375
HP96324	0.750	1.562	1.500	0.375
HP96332	0.750	1.562	2.000	0.375
HP96336	0.750	1.562	2.250	0.375
HP96340	0.750	1.562	2.500	0.375
HP96348	0.750	1.562	1.000	0.375
PA96332	0.750	1.687	2.000	0.375
PA96340	0.750	1.687	2.500	0.375
PA96348	0.750	1.687	3.000	0.375
HP130420	0.813	1.375	1.250	0.250
HP130424	0.813	1.375	1.500	0.250
HP130428	0.813	1.375	1.750	0.250
HP130432	0.813	1.375	2.000	0.250
HP93416	0.875	1.312	1.000	0.188
HP93420	0.875	1.312	1.250	0.188
HP93424	0.875	1.312	1.500	0.188
HP93428	0.875	1.312	1.750	0.188
HP93432	0.875	1.312	2.000	0.188
HP93436	0.875	1.312	2.250	0.188
HP93440	0.875	1.312	2.500	0.188
HP93444	0.875	1.312	2.750	0.188
HP93448	0.875	1.312	3.000	0.188
HP94412	0.875	1.437	0.750	0.250
HP94416	0.875	1.437	1.000	0.250
HP94420	0.875	1.437	1.250	0.250
HP94424	0.875	1.437	1.500	0.250
HP94426	0.875	1.437	1.625	0.250
HP94428	0.875	1.437	1.750	0.250
HP94430	0.875	1.437	1.875	0.250
HP94432	0.875	1.437	2.000	0.250
HP94436	0.875	1.437	2.250	0.250
HP94440	0.875	1.437	2.500	0.250
HP94444	0.875	1.437	2.750	0.250
HP94448	0.875	1.437	3.000	0.250
PA94432	0.875	1.500	2.000	0.250
HPA94432	0.875	1.500	2.000	0.250
PA94440	0.875	1.500	2.500	0.250
HP95412	0.875	1.562	0.750	0.313
HP95416	0.875	1.562	1.000	0.313
HP95420	0.875	1.562	1.250	0.313
HP95424	0.875	1.562	1.500	0.313
HP95428	0.875	1.562	1.750	0.313
HP95432	0.875	1.562	2.000	0.313
HP95440	0.875	1.562	2.500	0.313

PART NUMBER	SHAFT DIAMETER A	OUTSIDE DIAMETER B	OPERATING SPACE C	ROLLER DIAMETER D
HP95436	0.875	1.562	2.250	0.313
HP95444	0.875	1.562	2.750	0.313
HP95448	0.875	1.562	3.000	0.313
PA95416	0.875	1.687	1.000	0.313
PA95424	0.875	1.687	1.500	0.313
PA95432	0.875	1.687	2.000	0.313
PA95440	0.875	1.687	2.500	0.313
HPA95440	0.875	1.687	2.500	0.313
PA95436	0.875	1.687	2.250	0.313
PA95444	0.875	1.687	2.750	0.313
PA95448	0.875	1.687	3.000	0.313
HP150316	0.938	1.375	1.000	0.188
HP150320	0.938	1.375	1.250	0.188
HP150328	0.938	1.375	1.750	0.188
HP150332	0.938	1.375	2.000	0.188
HP150348	0.938	1.375	3.000	0.188
HP93516	1.000	1.437	1.000	0.188
HP93524	1.000	1.437	1.500	0.188
HP93520	1.000	1.437	1.250	0.188
HP93528	1.000	1.437	1.750	0.188
HP93526	1.000	1.437	1.625	0.188
HP93532	1.000	1.437	2.000	0.188
HP93540	1.000	1.437	2.500	0.188
HP93536	1.000	1.437	2.250	0.188
HP93544	1.000	1.437	2.750	0.188
HP93548	1.000	1.437	3.000	0.188
HP93512	1.000	1.437	0.750	0.188
HP94516	1.000	1.562	1.000	0.250
HP94524	1.000	1.562	1.500	0.250
HP94520	1.000	1.562	1.250	0.250
HP94518	1.000	1.562	1.125	0.250
HP94528	1.000	1.562	1.750	0.250
HP94532	1.000	1.562	2.000	0.250
HP94536	1.000	1.562	2.250	0.250
HP94544	1.000	1.562	2.750	0.250
HP94548	1.000	1.562	3.000	0.250
HP94512	1.000	1.562	0.750	0.250
HP94540	1.000	1.562	2.500	0.250
PA94516	1.000	1.687	1.000	0.250
PA94524	1.000	1.687	1.500	0.250
HPA94524	1.000	1.687	1.500	0.250
PA94520	1.000	1.687	1.250	0.250
HPA94520	1.000	1.687	1.250	0.250
PA94528	1.000	1.687	1.750	0.250
PA94532	1.000	1.687	2.000	0.250
HPA94532	1.000	1.687	2.000	0.250
PA94540	1.000	1.687	2.500	0.250
HPA94540	1.000	1.687	2.500	0.250
PA94536	1.000	1.687	2.250	0.250
HPA94536	1.000	1.687	2.250	0.250
PA94544	1.000	1.687	2.750	0.250
PA94548	1.000	1.687	3.000	0.250
HPA94548	1.000	1.687	3.000	0.250
HP95516	1.000	1.750	1.000	0.313
P95516	1.000	1.750	1.000	0.313
P95524	1.000	1.750	1.500	0.313
HP95528	1.000	1.750	1.750	0.313
P95528	1.000	1.750	1.750	0.313

PART NUMBER	SHAFT DIAMETER A	OUTSIDE DIAMETER B	OPERATING SPACE C	ROLLER DIAMETER D
P95532	1.000	1.750	2.000	0.313
HP95532	1.000	1.750	2.000	0.313
HP95540	1.000	1.750	2.500	0.313
P95540	1.000	1.750	2.500	0.313
HP95548	1.000	1.750	3.000	0.313
P95548	1.000	1.750	3.000	0.313
HP95556	1.000	1.750	3.500	0.313
P95556	1.000	1.750	3.500	0.313
HP95564	1.000	1.750	4.000	0.313
P95564	1.000	1.750	4.000	0.313
PA95524	1.000	1.812	1.500	0.313
HPA95524	1.000	1.812	1.500	0.313
PA95528	1.000	1.812	1.750	0.313
PA95532	1.000	1.812	2.000	0.313
HPA95532	1.000	1.812	2.000	0.313
PA95540	1.000	1.812	2.500	0.313
HPA95540	1.000	1.812	2.500	0.313
PA95536	1.000	1.812	2.250	0.313
PA95544	1.000	1.812	2.750	0.313
PA95548	1.000	1.812	3.000	0.313
HPA95548	1.000	1.812	3.000	0.313
PA95556	1.000	1.812	3.500	0.313
PA95564	1.000	1.812	4.000	0.313
P96524	1.000	1.875	1.500	0.375
P96532	1.000	1.875	2.000	0.375
P96540	1.000	1.875	2.500	0.375
HP96540	1.000	1.875	2.500	0.375
P96548	1.000	1.875	3.000	0.375
HP96548	1.000	1.875	3.000	0.375
P96556	1.000	1.875	3.500	0.375
P96564	1.000	1.875	4.000	0.375
PA96516	1.000	1.937	1.000	0.375
PA96524	1.000	1.937	1.500	0.375
HPA96524	1.000	1.937	1.500	0.375
PA96532	1.000	1.937	2.000	0.375
HPA96532	1.000	1.937	2.000	0.375
PA96540	1.000	1.937	2.500	0.375
HPA96540	1.000	1.937	2.500	0.375
PA96536	1.000	1.937	2.250	0.375
HPA96536	1.000	1.937	2.250	0.375
PA96544	1.000	1.937	2.750	0.375
PA96548	1.000	1.937	3.000	0.375
HPA96548	1.000	1.937	3.000	0.375
PA96556	1.000	1.937	3.500	0.375
HPA96556	1.000	1.937	3.500	0.375
HPA96564	1.000	1.937	4.000	0.375
PA96564	1.000	1.937	4.000	0.375
P97532	1.000	2.000	2.000	0.438
P97540	1.000	2.000	2.500	0.438
P97548	1.000	2.000	3.000	0.438
PA98516	1.000	2.187	1.000	0.500
PA98532	1.000	2.187	2.000	0.500
HPA98532	1.000	2.187	2.000	0.500
PA98540	1.000	2.187	2.500	0.500
HPA98540	1.000	2.187	2.500	0.500
PA98548	1.000	2.187	3.000	0.500
HPA98548	1.000	2.187	3.000	0.500
PA98564	1.000	2.187	4.000	0.500

PART NUMBER	SHAFT DIAMETER A	OUTSIDE DIAMETER B	OPERATING SPACE C	ROLLER DIAMETER D
PA98580	1.000	2.187	5.000	0.500
PA98524	1.000	2.187	1.500	0.500
PA170840	1.063	2.250	2.500	0.500
PA170848	1.053	2.250	3.000	0.500
PA170864	1.063	2.250	4.000	0.500
HP93616	1.125	1.562	1.000	0.188
HP93624	0.750	1.562	1.500	0.375
HP93620	1.125	1.562	1.250	0.188
HP93628	1.125	1.562	1.750	0.188
HP93632	1.125	1.552	2.000	0.188
HP93640	1.125	1.562	2.500	0.188
HP93636	1.125	1.562	2.250	0.188
HP93644	1.125	1.562	2.750	0.188
HP93648	1.125	1.562	3.000	0.188
HP93612	1.125	1.562	0.750	0.188
P94616	1.125	1.750	1.000	0.250
PA94616	1.125	1.750	1.000	0.250
P94624	1.125	1.750	1.500	0.250
HP94620	1.125	1.750	1.250	0.250
P94620	1.125	1.750	1.250	0.250
HP94628	1.125	1.750	1.750	0.250
P94628	1.125	1.750	1.750	0.250
HP94632	1.125	1.750	2.000	0.250
P94632	1.125	1.750	2.000	0.250
HP94640	1.125	1.750	2.500	0.250
P94640	1.125	1.750	2.500	0.250
HP94648	1.125	1.750	3.000	0.250
P94648	1.125	1.750	3.000	0.250
HPA94648	1.125	1.750	3.000	0.250
PA94624	1.125	1.812	1.500	0.250
HPA94624	1.125	1.812	1.500	0.250
PA94620	1.125	1.812	1.250	0.250
PA94628	1.125	1.812	1.750	0.250
PA94632	1.125	1.812	2.000	0.250
PA94640	1.125	1.812	2.500	0.250
PA94648	1.125	1.812	3.000	0.250
PA94656	1.125	1.812	3.500	0.250
PA94664	1.125	1.812	4.000	0.250
HP95628	1.125	1.875	1.750	0.313
P95628	1.125	1.875	1.750	0.313
HP95632	1.125	1.875	2.000	0.313
P95632	1.125	1.875	2.000	0.313
HP95640	1.125	1.875	2.500	0.313
P95640	1.125	1.875	2.500	0.313
P95644	1.125	1.875	2.750	0.313
P95648	1.125	1.875	3.000	0.313
HP95648	1.125	1.875	3.000	0.313
HP95656	1.125	1.875	3.500	0.313
P95656	1.125	1.875	3.500	0.313
P95664	1.125	1.875	4.000	0.313
PA95616	1.125	1.875	1.000	0.313
PA95624	1.125	1.937	1.500	0.313
HPA95624	1.125	1.937	1.500	0.313
PA95620	1.125	1.937	1.250	0.313
PA95628	1.125	1.937	1.750	0.313
HPA95628	1.125	1.937	1.750	0.313
PA95632	1.125	1.937	2.000	0.313
HPA95632	1.125	1.937	2.000	0.313

PART NUMBER	SHAFT DIAMETER A	OUTSIDE DIAMETER B	OPERATING SPACE C	ROLLER DIAMETER D
PA95640	1.125	1.937	2.500	0.313
HPA95640	1.125	1.937	2.500	0.313
PA95636	1.125	1.937	2.250	0.313
PA95644	1.125	1.937	2.750	0.313
PA95648	1.125	1.937	3.000	0.313
HPA95648	1.125	1.937	3.000	0.313
PA95656	1.125	1.937	3.500	0.313
HPA95656	1.125	1.937	3.500	0.313
PA95664	1.125	1.937	4.000	0.313
PA97624	1.125	2.187	1.500	0.438
PA97632	1.125	2.187	2.000	0.438
PA97640	1.125	2.187	2.500	0.438
HPA97640	1.125	2.187	2.500	0.438
PA97648	1.125	2.187	3.000	0.438
HPA97648	1.125	2.187	3.000	0.438
PA97664	1.125	2.187	4.000	0.438
HPA97664	1.125	2.187	4.000	0.438
P190532	1.188	1.937	2.000	0.313
HP190532	1.188	1.937	2.000	0.313
P190540	1.188	1.937	2.500	0.313
HP190540	1.188	1.937	2.500	0.313
P190548	1.188	1.937	3.000	0.313
HP190548	1.188	1.937	3.000	0.313
P190556	1.188	1.937	3.500	0.313
HP190556	1.188	1.937	3.500	0.313
P190564	1.188	1.937	4.000	0.313
HP190564	1.188	1.937	4.000	0.313
PA190532	1.188	2.000	2.000	0.313
PA190540	1.188	2.000	2.500	0.313
PA190548	1.188	2.000	3.000	0.313
HPA190548	1.188	2.000	3.000	0.313
PA190556	1.188	2.000	3.500	0.313
PA190564	1.188	2.000	4.000	0.313
PA190824	1.188	2.375	1.500	0.500
PA190832	1.188	2.375	2.000	0.500
PA190840	1.188	2.375	2.500	0.500
PA190848	1.188	2.375	3.000	0.500
PA190864	1.188	2.375	4.000	0.500
PA190880	1.188	2.375	5.000	0.500
P93716	1.250	1.750	1.000	0.188
HP93716	1.250	1.750	1.000	0.188
P93724	1.250	1.750	1.500	0.188
HP93724	1.250	1.750	1.500	0.188
P93720	1.250	1.750	1.250	0.188
HP93720	1.250	1.750	1.250	0.188
P93728	1.250	1.750	1.750	0.188
HP93728	1.250	1.750	1.750	0.188
P93732	1.250	1.750	2.000	0.188
HP93732	1.250	1.750	2.000	0.188
P93740	1.250	1.750	2.500	0.188
HP93740	1.250	1.750	2.500	0.188
HP93744	1.250	1.750	2.750	0.188
P93748	1.250	1.750	3.000	0.188
HP93748	1.250	1.750	3.000	0.188
HPA93716	1.250	1.812	1.000	0.188
PA93740	1.250	1.812	2.500	0.188
PA93736	1.250	1.812	2.250	0.188
HPA93748	1.250	1.812	3.000	0.188

PART NUMBER	SHAFT DIAMETER A	OUTSIDE DIAMETER B	OPERATING SPACE C	ROLLER DIAMETER D
PA93748	1.250	1.812	3.000	0.188
HP94724	1.250	1.812	1.500	0.250
P94724	1.250	1.812	1.500	0.250
P94720	1.250	1.812	1.250	0.250
P94728	1.250	1.812	1.750	0.250
HP94732	1.250	1.812	2.000	0.250
P94732	1.250	1.812	2.000	0.250
HP94740	1.250	1.812	2.500	0.250
P94740	1.250	1.812	2.500	0.250
HP94748	1.250	1.812	3.000	0.250
P94748	1.250	1.875	3.000	0.250
P94764	1.250	1.875	4.000	0.250
PA94716	1.250	1.937	1.000	0.250
PA94724	1.250	1.937	1.500	0.250
HPA94724	1.250	1.937	1.500	0.250
PA94720	1.250	1.937	1.250	0.250
PA94728	1.250	1.937	1.750	0.250
PA94732	1.250	1.937	2.000	0.250
HPA94732	1.250	1.937	2.000	0.250
PA94740	1.250	1.937	2.500	0.250
HPA94740	1.250	1.937	2.500	0.250
PA94736	1.250	1.937	2.250	0.250
PA94744	1.250	1.937	2.750	0.250
HPA94744	1.250	1.937	2.750	0.250
PA94748	1.250	1.937	3.000	0.250
HPA94748	1.250	1.937	3.000	0.250
PA94756	1.250	1.937	3.500	0.250
PA94764	1.250	1.937	4.000	0.250
P95716	1.250	2.000	1.000	0.313
HP95724	1.250	2.000	1.500	0.313
P95724	1.250	2.000	1.500	0.313
P95720	1.250	2.000	1.250	0.313
HP95728	1.250	2.000	1.750	0.313
P95728	1.250	2.000	1.750	0.313
HP95732	1.250	2.000	2.000	0.313
HP95740	1.250	2.000	2.500	0.313
P95740	1.250	2.000	2.500	0.313
HP95748	1.250	2.000	3.000	0.313
P95748	1.250	2.000	3.000	0.313
HP95756	1.250	2.000	3.500	0.313
P95756	1.250	2.000	3.500	0.313
P95764	1.250	2.000	4.000	0.313
PA95724	1.250	2.062	1.500	0.313
HPA95724	1.250	2.062	1.500	0.313
PA95728	1.250	2.062	1.750	0.313
PA95732	1.250	2.062	2.000	0.313
HPA95732	1.250	2.062	2.000	0.313
PA95740	1.250	2.062	2.500	0.313
HPA95740	1.250	2.062	2.500	0.313
PA95736	1.250	2.062	2.250	0.313
HPA95736	1.250	2.062	2.250	0.313
PA95744	1.250	2.062	2.750	0.313
PA95748	1.250	2.062	3.000	0.313
HPA95748	1.250	2.062	3.000	0.313
PA95756	1.250	2.062	3.500	0.313
PA95764	1.250	2.062	4.000	0.313
P96724	1.250	2.125	1.500	0.375
P96732	1.250	2.125	2.000	0.375

PART NUMBER	SHAFT DIAMETER A	OUTSIDE DIAMETER B	OPERATING SPACE C	ROLLER DIAMETER D
HP96732	1.250	2.125	2.000	0.375
P96740	1.250	2.125	2.500	0.375
P96748	1.250	2.125	3.000	0.375
HP96748	1.250	2.125	3.000	0.375
P96764	1.250	2.125	4.000	0.375
PA96724	1.250	2.187	1.500	0.375
HPA96724	1.250	2.187	1.500	0.375
P95732	1.250	2.187	2.000	0.313
PA96732	1.250	2.187	2.000	0.375
HPA96732	1.250	2.187	2.000	0.375
PA96740	1.250	2.187	2.500	0.375
HPA96740	1.250	2.187	2.500	0.375
PA96736	1.250	2.187	2.250	0.375
PA96748	1.250	2.187	3.000	0.375
HPA96748	1.250	2.187	3.000	0.375
PA96764	1.250	2.187	4.000	0.375
PA96780	1.250	2.187	5.000	0.375
HPA96780	1.250	2.187	5.000	0.375
P97732	1.250	2.250	2.000	0.438
P97740	1.250	2.250	2.500	0.438
P97748	1.250	2.250	3.000	0.438
PA97724	1.250	2.312	1.500	0.438
HPA97724	1.250	2.312	1.500	0.438
PA97732	1.250	2.312	2.000	0.438
PA97740	1.250	2.312	2.500	0.438
PA97748	1.250	2.312	3.000	0.438
HPA97748	1.250	2.312	3.000	0.438
PA97764	1.250	2.312	4.000	0.438
HPA97764	1.250	2.312	4.000	0.438
PA97780	1.250	2.312	5.000	0.438
HP98764	1.250	2.375	4.000	0.500
PA98724	1.250	2.437	1.500	0.500
HPA98732	1.250	2.437	2.000	0.500
PA98732	1.250	2.437	2.000	0.500
PA98740	1.250	2.437	2.500	0.500
HPA98740	1.250	2.437	2.500	0.500
PA98748	1.250	2.437	3.000	0.500
HPA98748	1.250	2.437	3.000	0.500
PA98756	1.250	2.437	3.500	0.500
PA98764	1.250	2.437	4.000	0.500
HPA98764	1.250	2.437	4.000	0.500
PA98780	1.250	2.437	5.000	0.500
HPA98780	1.250	2.437	5.000	0.500
PA99724	1.250	2.562	1.500	0.563
PA99732	1.250	2.562	2.000	0.563
PA99740	1.250	2.562	2.500	0.563
PA99748	1.250	2.562	3.000	0.563
HPA99748	1.250	2.562	3.000	0.563
PA99764	1.250	2.562	4.000	0.563
PA99780	1.250	2.562	5.000	0.563
PA201032	1.250	2.687	2.000	0.625
PA201040	1.250	2.687	2.500	0.625
PA201048	1.250	2.687	3.000	0.625
PA201064	1.250	2.687	4.000	0.625
PA210848	1.313	2.500	3.000	0.625
PA94816	1.375	2.062	1.000	0.250
PA94824	1.375	2.062	1.500	0.250
P95824	1.375	2.125	1.500	0.313

PART NUMBER	SHAFT DIAMETER A	OUTSIDE DIAMETER B	OPERATING SPACE C	ROLLER DIAMETER D
HP95828	1.375	2.125	1.750	0.313
P95828	1.375	2.125	1.750	0.313
HP95832	1.375	2.125	2.000	0.313
P95832	1.375	2.125	2.000	0.313
HP95840	1.375	2.125	2.500	0.313
P95840	1.375	2.125	2.500	0.313
HP95848	1.375	2.125	3.000	0.313
P95848	1.375	2.125	3.000	0.313
PA95832	1.375	2.187	2.000	0.313
HPA95832	1.375	2.187	2.000	0.313
PA95824	1.375	2.187	1.500	0.313
PA95840	1.375	2.187	2.500	0.313
HPA95840	1.375	2.187	2.500	0.313
PA95848	1.375	2.187	3.000	0.313
HP96848	1.375	2.250	3.000	0.375
PA96832	1.375	2.312	2.000	0.375
PA96848	1.375	2.312	3.000	0.375
PA96864	1.375	2.312	4.000	0.375
PA98824	1.375	2.562	1.500	0.500
HPA98824	1.375	2.562	1.500	0.500
PA98832	1.375	2.562	2.000	0.500
HPA98832	1.375	2.562	2.000	0.500
PA98840	1.375	2.562	2.500	0.500
HPA98840	1.375	2.562	2.500	0.500
PA98848	1.375	2.562	3.000	0.500
HPA98848	1.375	2.562	3.000	0.500
PA98856	1.375	2.562	3.500	0.500
PA98864	1.375	2.562	4.000	0.500
HPA98864	1.375	2.562	4.000	0.500
PA98880	1.375	2.562	5.000	0.500
HP230320	1.438	1.875	1.250	0.188
HP99037	1.438	1.875	1.250	0.188
PA230932	1.438	2.750	2.000	0.563
PA230940	1.438	2.750	2.500	0.563
PA230948	1.438	2.750	3.000	0.563
HPA230948	1.438	2.750	3.000	0.563
PA230964	1.438	2.750	4.000	0.563
HPA230964	1.438	2.750	4.000	0.563
PA230980	1.438	2.750	5.000	0.563
HPA230980	1.438	2.750	5.000	0.563
PA94932	1.500	2.187	2.000	0.250
PA94940	1.500	2.187	2.500	0.250
PA98948	1.500	2.187	3.000	0.250
HP95924	1.500	2.250	1.500	0.313
P95924	1.500	2.250	1.500	0.313
P95920	1.500	2.250	1.250	0.313
HP95928	1.500	2.250	1.750	0.313
P95928	1.500	2.250	1.750	0.313
HP95932	1.500	2.250	2.000	0.313
P95932	1.500	2.250	2.000	0.313
HP95940	1.500	2.250	2.500	0.313
P95940	1.500	2.250	2.500	0.313
HP95948	1.500	2.250	3.000	0.313
P95948	1.500	2.250	3.000	0.313
P95956	1.500	2.250	3.500	0.313
HP95964	1.500	2.250	4.000	0.313
P95964	1.500	2.250	4.000	0.313
PA95924	1.500	2.312	1.500	0.313

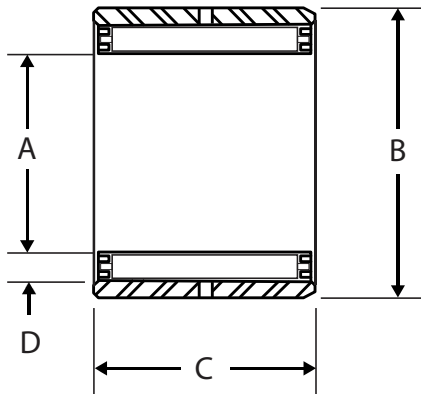
PART NUMBER	SHAFT DIAMETER A	OUTSIDE DIAMETER B	OPERATING SPACE C	ROLLER DIAMETER D
HPA95924	1.500	2.312	1.500	0.313
PA95932	1.500	2.312	2.000	0.313
HPA95932	1.500	2.312	2.000	0.313
PA95940	1.500	2.312	2.000	0.313
PA95936	1.500	2.312	2.250	0.313
PA95948	1.500	2.312	2.000	0.313
PA95956	1.500	2.312	2.000	0.313
HPA95956	1.500	2.312	3.500	0.313
PA95964	1.500	2.312	4.000	0.313
HPA95964	1.500	2.312	4.000	0.313
P96932	1.500	2.375	2.000	0.375
P96940	1.500	2.375	2.500	0.375
P96948	1.500	2.375	3.000	0.375
HP96948	1.500	2.375	3.000	0.375
P96964	1.500	2.375	4.000	0.375
HP96964	1.500	2.375	4.000	0.375
PA96932	1.500	2.437	2.000	0.375
HPA96932	1.500	2.437	2.000	0.375
PA96940	1.500	2.437	2.500	0.375
HPA96940	1.500	2.437	2.500	0.375
PA96948	1.500	2.437	3.000	0.375
HPA96948	1.500	2.437	3.000	0.375
PA96956	1.500	2.437	3.500	0.375
PA96964	1.500	2.437	4.000	0.375
HPA96964	1.500	2.437	4.000	0.375
PA96980	1.500	2.437	5.000	0.375
HPA96980	1.500	2.437	5.000	0.375
P97932	1.500	2.500	2.000	0.438
P97940	1.500	2.500	2.500	0.438
HP97940	1.500	2.500	2.500	0.438
P97948	1.500	2.500	3.000	0.438
P97964	1.500	2.500	4.000	0.438
HP97964	1.500	2.500	4.000	0.438
PA97924	1.500	2.562	1.500	0.438
PA97932	1.500	2.562	2.000	0.438
PA97940	1.500	2.562	2.500	0.438
PA97948	1.500	2.562	3.000	0.438
PA97964	1.500	2.562	4.000	0.438
HPA97964	1.500	2.562	4.000	0.438
PA97980	1.500	2.562	5.000	0.438
HPA97980	1.500	2.562	5.000	0.438
PA98932	1.500	2.687	2.000	0.500
PA98940	1.500	2.687	2.500	0.500
PA98948	1.500	2.687	3.000	0.500
HPA98948	1.500	2.687	3.000	0.500
PA98964	1.500	2.687	4.000	0.500
PA98980	1.500	2.687	5.000	0.500
PA99924	1.500	2.812	1.500	0.563
HPA99924	1.500	2.812	1.500	0.563
PA99928	1.500	2.812	1.750	0.563
PA99932	1.500	2.812	2.000	0.563
HPA99932	1.500	2.812	2.000	0.563
PA99940	1.500	2.812	2.500	0.563
PA99948	1.500	2.812	3.000	0.563
HPA99948	1.500	2.812	3.000	0.563
PA99964	1.500	2.812	4.000	0.563
HPA99964	1.500	2.812	4.000	0.563
PA99980	1.500	2.812	5.000	0.563

PART NUMBER	SHAFT DIAMETER A	OUTSIDE DIAMETER B	OPERATING SPACE C	ROLLER DIAMETER D
P260632	1.625	2.500	2.000	0.375
P260640	1.625	2.500	2.500	0.375
P260648	1.625	2.500	3.000	0.375
PA260624	1.625	2.562	1.500	0.375
PA260632	1.625	2.562	2.000	0.375
HPA260632	1.625	2.562	2.000	0.375
PA260640	1.625	2.562	2.500	0.375
PA260648	1.625	2.562	3.000	0.375
HPA260648	1.625	2.562	3.000	0.375
PA260680	1.625	2.562	5.000	0.375
PA260924	1.625	2.937	1.500	0.563
PA260932	1.625	2.937	2.000	0.563
PA260940	1.625	2.937	2.500	0.563
PA260948	1.625	2.937	3.000	0.563
PA260964	1.625	2.937	4.000	0.563
PA260980	1.625	2.937	5.000	0.563
HP99096	1.688	2.250	1.750	0.250
HP270416	1.688	2.312	1.000	0.250
HP280416	1.750	2.375	1.000	0.250
P280416	1.750	2.375	1.000	0.250
HP99088	1.750	2.375	1.000	0.250
HP280418	1.750	2.375	1.125	0.250
P280418	1.750	2.375	1.125	0.250
PA280432	1.750	2.437	2.000	0.250
P280532	1.750	2.500	2.000	0.313
HP99039	1.750	2.500	2.000	0.313
P280640	1.750	2.625	2.500	0.375
P280648	1.750	2.625	3.000	0.375
PA280524	1.750	2.562	1.500	0.313
HPA280524	1.750	2.562	1.500	0.313
PA99029	1.750	2.562	1.500	0.313
PA280924	1.750	3.062	1.500	0.527
PA280932	1.750	3.062	2.000	0.527
HPA280932	1.750	3.062	2.000	0.527
PA280940	1.750	3.062	2.500	0.527
HPA280940	1.750	3.062	2.500	0.527
PA280948	1.750	3.062	3.000	0.527
HPA280948	1.750	3.062	3.000	0.527
PA280964	1.750	3.062	4.000	0.527
HPA280964	1.750	3.062	4.000	0.527
PA280980	1.750	3.062	5.000	0.527
HPA280980	1.750	3.062	5.000	0.527
PA280996	1.750	3.062	6.000	0.563
P281024	1.750	3.187	1.500	0.625
P281028	1.750	3.187	1.750	0.625
P281032	1.750	3.187	2.000	0.625
P281040	1.750	3.187	2.500	0.625
P281048	1.750	3.187	3.000	0.625
P281056	1.750	3.187	3.500	0.625
P281064	1.750	3.187	4.000	0.625
PA281032	1.750	3.250	2.000	0.625
PA281040	1.750	3.250	2.500	0.625
PA281048	1.750	3.250	3.000	0.625
PA281064	1.750	3.250	4.000	0.625
PA281080	1.750	3.250	5.000	0.625
PA300932	1.875	3.187	2.000	0.563
PA300948	1.875	3.187	3.000	0.563
P300964	1.875	3.187	4.000	0.563

PART NUMBER	SHAFT DIAMETER A	OUTSIDE DIAMETER B	OPERATING SPACE C	ROLLER DIAMETER D
PA300964	1.875	3.187	4.000	0.563
PA300980	1.875	3.187	5.000	0.563
PA300996	1.875	3.187	6.000	0.563
HPA311032	1.938	3.437	2.000	0.625
PA311032	1.938	3.437	2.000	0.625
PA311040	1.938	3.437	2.500	0.625
HPA311048	1.938	3.437	3.000	0.625
PA311048	1.938	3.437	3.000	0.625
PA311064	1.938	3.437	4.000	0.625
HPA311080	1.938	3.437	5.000	0.625
PA311080	1.938	3.437	5.000	0.625
PA311096	1.938	3.437	6.000	0.625
PA320448	2.000	2.687	3.000	0.250
PA320528	2.000	2.812	1.750	0.313
P320824	2.000	3.187	1.500	0.500
P320828	2.000	3.187	1.750	0.500
P320832	2.000	3.187	2.000	0.500
P320840	2.000	3.187	2.500	0.500
P320848	2.000	3.187	3.000	0.500
PA320828	2.000	3.250	1.750	0.500
PA320832	2.000	3.250	2.000	0.500
HPA320848	2.000	3.250	3.000	0.500
PA320848	2.000	3.250	3.000	0.500
HPA320864	2.000	3.250	4.000	0.500
PA320864	2.000	3.250	4.000	0.500
HPA320880	2.000	3.250	5.000	0.500
PA320880	2.000	3.250	5.000	0.500
PA320948	2.000	3.375	3.000	0.563
P321064	2.000	3.437	4.000	0.625
PA321032	2.000	3.500	2.000	0.625
HPA321040	2.000	3.500	2.500	0.625
PA321040	2.000	3.500	2.500	0.625
HPA321048	2.000	3.500	3.000	0.625
PA321048	2.000	3.500	3.000	0.625
HPA321064	2.000	3.500	4.000	0.625
PA321064	2.000	3.500	4.000	0.625
HPA321080	2.000	3.500	5.000	0.625
PA321080	2.000	3.500	5.000	0.625
PA321096	2.000	3.500	6.000	0.625
PA321480	2.000	4.000	5.000	0.875
PA350648	2.188	3.125	3.000	0.375
PA351448	2.188	4.187	3.000	0.875
PA351464	2.188	4.187	4.000	0.875
PA351480	2.188	4.187	5.000	0.875
PA351496	2.188	4.187	6.000	0.875
PA361032	2.250	3.750	2.000	0.625
PA361040	2.250	3.750	2.500	0.625
HPA361048	2.250	3.750	3.000	0.625
PA361048	2.250	3.750	3.000	0.625
HPA361064	2.250	3.750	4.000	0.625
PA361064	2.250	3.750	4.000	0.625
PA361080	2.250	3.750	5.000	0.625
PA361096	2.250	3.750	6.000	0.625
PA361448	2.250	4.250	3.000	0.875
PA361464	2.250	4.250	4.000	0.875
PA361480	2.250	4.250	5.000	0.875
PA361496	2.250	4.250	6.000	0.875
PA380632	2.375	3.312	2.000	0.375

PART NUMBER	SHAFT DIAMETER A	OUTSIDE DIAMETER B	OPERATING SPACE C	ROLLER DIAMETER D
PA400648	2.500	3.500	3.000	0.375
PA400664	2.500	3.500	4.000	0.375
PA401132	2.500	4.125	2.000	0.688
PA401148	2.500	4.125	3.000	0.688
HPA401164	2.500	4.125	4.000	0.688
PA401164	2.500	4.125	4.000	0.688
PA401180	2.500	4.125	5.000	0.688
PA401196	2.500	4.125	6.000	0.688
HPA401548	2.500	4.625	3.000	0.938
PA401548	2.500	4.625	3.000	0.938
HPA401564	2.500	4.625	4.000	0.938
PA401564	2.500	4.625	4.000	0.938
PA401580	2.500	4.625	5.000	0.938
PA401596	2.500	4.625	6.000	0.938
PA441148	2.750	4.375	3.000	0.688
HPA441164	2.750	4.375	4.000	0.688
PA441164	2.750	4.375	4.000	0.688
PA441180	2.750	4.375	5.000	0.688
PA441196	2.750	4.375	6.000	0.688
PA441548	2.750	4.875	1.000	0.938
PA441564	2.750	4.875	4.000	0.938
PA441580	2.750	4.875	5.000	0.938
PA441596	2.750	4.875	6.000	0.938
HPA460848	2.875	4.125	3.000	0.500
PA460848	2.875	4.125	3.000	0.500
PA481264	3.000	4.750	4.000	0.750
PA481280	3.000	4.750	5.000	0.750
PA481296	3.000	4.750	6.000	0.750
PA481640	3.000	5.250	2.500	1.000
PA481648	3.000	5.250	3.000	1.000
PA481664	3.000	5.250	4.000	1.000
PA481680	3.000	5.250	5.000	1.000
PA481696	3.000	5.250	6.000	1.000
PA4816112	3.000	5.250	7.000	1.000
PA561448	3.500	5.500	3.000	0.875
PA561464	3.500	5.500	4.000	0.875
PA561480	3.500	5.500	5.000	0.875
PA561496	3.500	5.500	6.000	0.875
PA561848	3.500	6.125	3.000	1.125
PA561864	3.500	6.125	4.000	1.125
HPA561880	3.500	6.125	5.000	1.125
PA561880	3.500	6.125	5.000	1.125
PA561896	3.500	6.125	6.000	1.125
PA5618112	3.500	6.125	7.000	1.125
PA641864	4.000	6.625	4.000	1.125
PA641880	4.000	6.625	5.000	1.125
PA641896	4.000	6.625	6.000	1.125
PA722064	4.500	7.375	4.000	1.250
PA722080	4.500	7.375	5.000	1.250
PA722096	4.500	7.375	6.000	1.250
PA7220112	4.500	7.375	7.000	1.250
PA802064	5.000	7.875	4.000	1.250
PA802080	5.000	7.875	5.000	1.250
PA8020112	5.000	7.875	7.000	1.250
PA962064	6.000	8.875	4.000	1.250
PA962080	6.000	8.875	5.000	1.250
PA962096	6.000	8.875	6.000	1.250

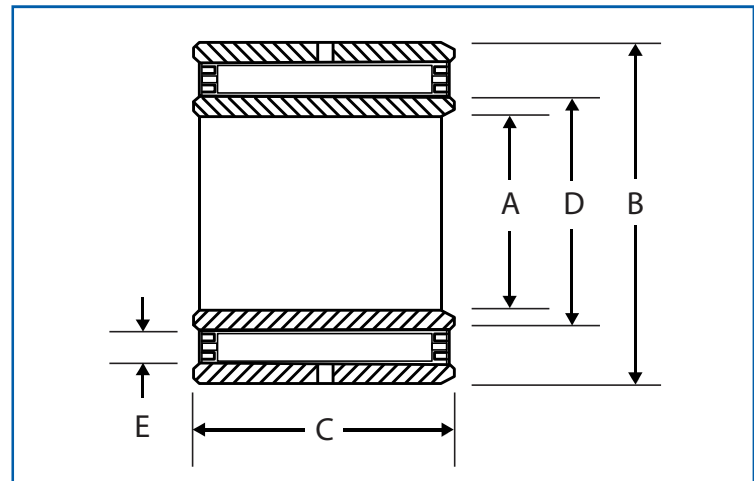
JOURNAL ROLLER BEARINGS - 2 PIECE INCH SERIES



PART NUMBER	SHAFT DIAMETER A	OUTSIDE DIAMETER B	LENGTH C	ROLLER DIAMETER D	LOAD RATING 100 RPM
C162824	1.000	1.750	1.500	0.250	3040
C162832	1.000	1.750	2.000	0.250	3950
C162840	1.000	1.750	2.500	0.250	4810
C162848	1.000	1.750	3.000	0.250	5620
C183120	1.125	1.938	1.250	0.250	2730
C183140	1.125	1.938	2.500	0.250	5130
C183816	1.125	2.375	1.000	0.438	2810
C193116	1.188	1.938	1.000	0.250	2180
C193124	1.188	1.938	1.500	0.250	3250
C193132	1.188	1.938	2.000	0.250	4220
C193140	1.188	1.938	2.500	0.250	5130
C193148	1.188	1.938	3.000	0.250	6000
C203216	1.250	2.000	1.000	0.250	2320
C203224	1.250	2.000	1.500	0.250	3450
C203232	1.250	2.000	2.000	0.250	4480
C203240	1.250	2.000	2.500	0.250	5450
C203248	1.250	2.000	3.000	0.250	6370
C233616	1.438	2.250	1.000	0.219	2330
C233624	1.438	2.250	1.500	0.219	3460
C233632	1.438	2.250	2.000	0.219	4500
C233640	1.438	2.250	2.500	0.219	5740
C233648	1.438	2.250	3.000	0.219	6390
C243716	1.500	2.313	1.000	0.250	2690
C243724	1.500	2.313	1.500	0.250	4000
C243732	1.500	2.313	2.000	0.250	5190
C243740	1.500	2.313	2.500	0.250	6310
C243748	1.500	2.313	3.000	0.250	7380
C244624	1.500	2.875	1.500	0.438	4690
C284416	1.750	2.750	1.000	0.313	3280
C284424	1.750	2.750	1.500	0.313	4880
C284432	1.750	2.750	2.000	0.313	6340
C284440	1.750	2.750	2.500	0.313	7710
C284448	1.750	2.750	3.000	0.313	9010
C285440	1.750	3.375	2.500	0.563	9710
C285464	1.750	3.375	4.000	0.563	14460
C285640	1.750	3.500	2.500	0.625	9870
C294216	1.813	2.625	1.000	0.250	2880
C314716	1.938	2.938	1.000	0.313	3410
C314724	1.938	2.938	1.500	0.313	5080
C314732	1.938	2.938	2.000	0.313	6600
C314740	1.938	2.938	2.500	0.313	8020
C314748	1.938	2.938	3.000	0.313	9380
C324816	2.000	3.000	1.000	0.313	3730
C324824	2.000	3.000	1.500	0.313	5550
C324832	2.000	3.000	2.000	0.313	7210
C324840	2.000	3.000	2.500	0.313	8760
C324848	2.000	3.000	3.000	0.313	10250
C324856	2.000	3.000	3.500	0.313	11670
C325232	2.000	3.250	2.000	0.375	8090
C325632	2.000	3.500	2.000	0.438	7700
C325648	2.000	3.120	3.000	0.438	10940
C326040	2.000	3.750	2.500	0.625	10880
C326048	2.000	3.750	3.000	0.625	12720
C365316	2.250	3.313	1.000	0.250	3260
C365324	2.250	3.313	1.500	0.250	4860
C365332	2.250	3.313	2.000	0.250	6310
C365340	2.250	3.313	2.500	0.250	7670
C365348	2.250	3.313	3.000	0.250	8970

PART NUMBER	SHAFT DIAMETER A	OUTSIDE DIAMETER B	LENGTH C	ROLLER DIAMETER D	LOAD RATING 100 RPM
C081716	0.500	1.063	1.000	0.188	1130
C081724	0.500	1.063	1.500	0.188	1690
C081732	0.500	1.063	2.000	0.188	2190
C101916	0.625	1.188	1.000	0.188	1270
C101924	0.625	1.188	1.500	0.188	1890
C101932	0.625	1.188	2.000	0.188	2450
C102232	0.625	1.375	2.000	0.250	2960
C122116	0.750	1.313	1.000	0.188	1600
C122124	0.750	1.313	1.500	0.188	2380
C122132	0.750	1.313	2.000	0.188	3100
C122224	0.750	1.375	1.500	0.188	2380
C142432	0.875	1.500	2.000	0.188	3100
C142616	0.875	1.625	1.000	0.250	1890
C142624	0.875	1.625	1.500	0.250	2810
C142632	0.875	1.625	2.000	0.250	3650
C142840	0.875	1.750	2.500	0.313	5120
C162816	1.000	1.750	1.000	0.250	2050
C162820	1.000	1.750	1.250	0.250	2560

PART NUMBER	SHAFT DIAMETER	OUTSIDE DIAMETER	LENGTH	ROLLER DIAMETER	LOAD RATING
	A	B	C	D	100 RPM
C365356	2.250	3.313	3.500	0.250	10220
C365364	2.250	3.313	4.000	0.250	11420
C366040	2.250	3.750	2.500	0.500	10120
C385332	2.375	3.938	2.000	0.250	6740
C405724	2.500	3.563	1.500	0.375	6180
C405732	2.500	3.563	2.000	0.375	8030
C405740	2.500	3.563	2.500	0.375	9760
C405748	2.500	3.563	3.000	0.375	11410
C405756	2.500	3.563	3.500	0.375	12990
C405764	2.500	3.563	4.000	0.375	14520
C406632	2.500	4.125	2.000	0.375	8030
C406640	2.500	4.125	2.500	0.375	9760
C406648	2.500	4.125	3.000	0.375	11410
C407248	2.500	4.500	3.000	0.688	15380
C466348-2N	2.875	3.313	3.000	0.313	1140
C466624	2.875	4.125	1.500	0.313	6170
C466632	2.875	4.125	2.000	0.313	8020
C486832	3.000	4.250	2.000	0.313	9190
C486840	3.000	4.250	2.500	0.313	11170
C486848	3.000	4.250	3.000	0.313	13060
C486856	3.000	4.250	3.500	0.313	14870
C486864	3.000	4.250	4.000	0.313	16620
C527240	3.250	4.500	2.500	0.313	10860
C527256	3.250	4.250	3.500	0.313	14450
C5610264	3.500	6.375	4.000	1.125	32940
C729648	4.500	6.000	3.000	0.500	20160
C729656	4.500	6.000	3.500	0.500	22960
C8813656	5.500	8.500	3.500	1.000	35800



JOURNAL ROLLER BEARINGS - 3 PIECE INCH SERIES

PART NUMBER	INNER RACE		OUTER DIAMETER B	LENGTH C	ROLLER DIAMETER E	LOAD RATING 100 RPM
	I.D. A	O.D. D				
B122416	0.750	0.937	1.500	1.000	0.188	1800
B122424	0.750	0.937	1.500	1.500	0.188	2680
B122432	0.750	0.937	1.500	2.000	0.188	3480
B122828	0.750	1.000	1.750	1.750	0.250	3510
B143032	0.875	1.125	1.875	2.000	0.250	3950
B163216	1.000	1.250	2.000	1.000	0.250	2320
B163224	1.000	1.250	2.000	1.500	0.250	3450
B163232	1.000	1.250	2.000	2.000	0.250	4480
B163232-4N	1.000	1.250	2.000	2.000	0.250	4480
B163240	1.000	1.250	2.000	2.500	0.250	5450
B163248	1.000	1.250	2.000	3.000	0.250	6370
B164232	1.000	1.250	2.625	2.000	0.375	6520
B164240	1.000	1.250	2.625	2.500	0.375	7930
B193440-2H	1.188	1.437	2.125	1.000	0.250	5760
B193516	1.188	1.437	2.188	1.000	0.219	2990
B193524	1.188	1.437	2.188	1.500	0.219	3460
B193532	1.188	1.437	2.188	2.000	0.219	4500
B193540	1.188	1.437	2.188	2.500	0.219	5470

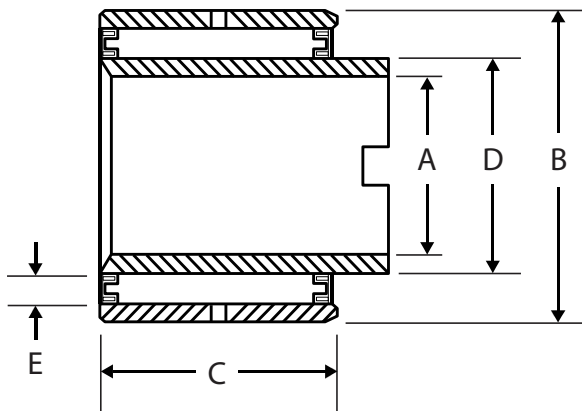
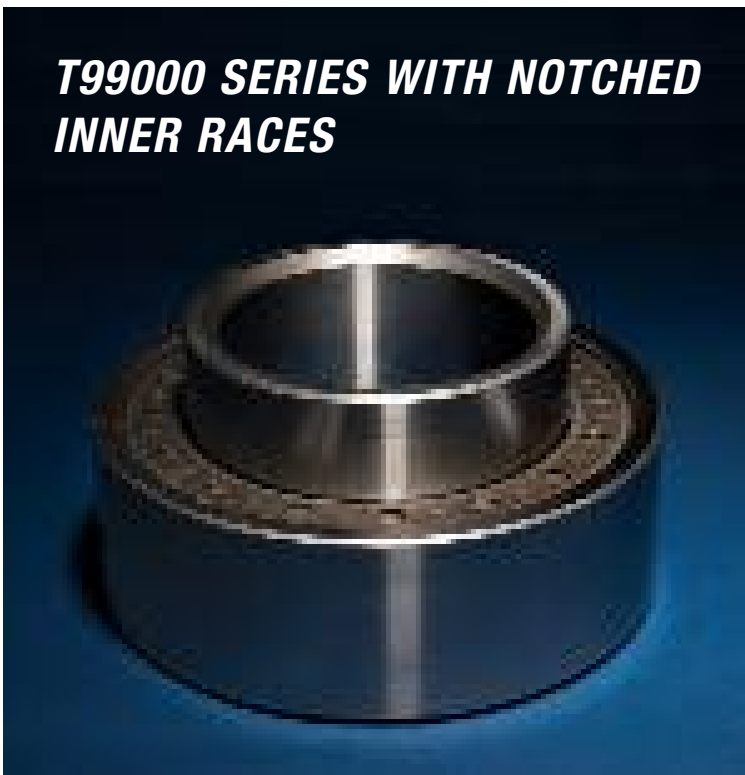
Offering our clients competitive pricing is what we do.

PART NUMBER	INNER RACE		OUTER DIAMETER	LENGTH	ROLLER DIAMETER	LOAD RATING	PART NUMBER	INNER RACE		OUTER DIAMETER	LENGTH	ROLLER DIAMETER	LOAD RATING
	I.D.	O.D.						A	D				
	A	D	B	C	E	100 RPM		A	D	B	C	E	100 RPM
B193548	1.188	1.437	2.188	3.000	0.219	6390	B326632	2.000	2.625	4.125	2.000	0.438	10350
B203816	1.250	1.500	2.375	1.000	0.313	2600	B326640	2.000	2.625	4.125	2.500	0.438	12580
B203824	1.250	1.500	2.375	1.500	0.313	3870	B356056-4N	2.188	2.500	3.750	3.500	0.375	12990
B203832	1.250	1.500	2.375	2.000	0.313	5020	B366016	2.250	2.500	3.750	1.000	0.375	4150
B203840	1.250	1.500	2.375	2.500	0.313	6110	B366024	2.250	2.500	3.750	1.500	0.375	6180
B203848	1.250	1.500	2.375	3.000	0.313	7140	B366032	2.250	2.500	3.750	2.000	0.375	8030
B203948	1.250	1.500	2.438	3.000	0.313	7140	B366040	2.250	2.500	3.750	2.500	0.375	9760
B215032	1.313	1.625	3.125	2.000	0.563	7250	B366048	2.250	2.500	3.750	3.000	0.375	11410
B215048	1.313	1.625	3.125	3.000	0.563	10310	B366056	2.250	2.500	3.750	3.500	0.375	12990
B234116	1.438	1.750	2.563	1.000	0.250	2930	B366064	2.250	2.500	3.750	4.000	0.375	14520
B234124	1.438	1.750	2.563	1.500	0.250	4370	B367024	2.250	2.875	3.375	1.500	0.500	8490
B234132	1.438	1.750	2.563	2.000	0.250	5670	B367032	2.250	2.875	4.375	2.000	0.500	11030
B234140	1.438	1.750	2.563	2.500	0.250	6900	B367040	2.250	2.875	4.375	2.500	0.500	13410
B234148	1.438	1.750	2.563	3.000	0.250	8060	B396224	2.438	2.875	3.875	1.500	0.313	6170
B234156	1.438	1.750	2.563	3.500	0.250	9180	B396240	2.438	2.875	3.875	2.500	0.313	9750
B244216	1.500	1.812	2.625	1.000	0.250	2880	B396248	2.438	2.875	3.875	3.000	0.313	11400
B244224	1.500	1.812	2.625	1.500	0.250	4290	B396332	2.438	2.875	3.938	2.000	0.313	8020
B244224-4N	1.500	1.812	2.625	1.500	0.250	4290	B396340	2.438	2.875	3.938	2.500	0.313	9750
B244232	1.500	1.812	2.625	2.000	0.250	5580	B396348	2.438	2.875	3.938	3.000	0.313	11400
B244240	1.500	1.812	2.625	2.500	0.250	6780	B396348-4N	2.438	2.875	3.938	3.000	0.313	11400
B244248	1.500	1.812	2.625	3.000	0.250	7920	B396356	2.438	2.875	3.938	3.500	0.313	12980
B266040	1.625	2.000	3.750	2.500	0.625	10880	B396364	2.438	2.875	3.938	4.000	0.313	14510
B275024	1.688	2.125	3.125	1.500	0.313	5550	B396380	2.438	2.875	3.938	5.000	0.313	17440
B275024-4N	1.688	2.125	3.125	1.500	0.313	5550	B406432	2.500	2.875	4.000	2.000	0.313	8020
B275056	1.688	2.125	3.125	3.500	0.313	11670	B406440	2.500	2.875	4.000	2.500	0.313	9750
B275056-4N	1.688	2.125	3.125	3.500	0.313	11670	B406448	2.500	2.875	4.000	3.000	0.313	11400
B275332	1.688	2.000	3.313	2.000	0.375	8090	B406456	2.500	2.875	4.000	3.500	0.313	12980
B285016	1.750	2.125	3.125	1.000	0.313	3730	B406464	2.500	2.875	4.000	4.000	0.313	14510
B285024	1.750	2.125	3.125	1.500	0.313	5550	B406480	2.500	2.875	4.000	5.000	0.313	19500
B285032	1.750	2.125	3.125	2.000	0.313	7210	B407248	2.500	3.000	4.500	3.000	0.625	18980
B285040	1.750	2.125	3.125	2.500	0.313	8760	B407448	2.500	2.875	4.625	3.000	0.500	15670
B285048	1.750	2.125	3.125	3.000	0.313	10250	B407648	2.500	2.875	4.625	3.000	0.500	15670
B285056	1.750	2.125	3.125	3.500	0.313	11670	B447224	2.750	3.250	4.500	1.500	0.313	6870
B285064	1.750	2.125	3.125	4.000	0.313	13040	B447232	2.750	3.250	4.500	2.000	0.313	8930
B286024	1.750	2.250	3.750	1.500	0.500	6410	B447248	2.750	3.250	4.500	3.000	0.313	12690
B286040	1.750	2.250	5.000	1.500	0.500	10120	B448048	2.750	3.375	5.000	3.000	0.500	16970
B286440	1.750	2.250	4.000	2.500	0.625	13610	B448056	2.750	3.375	5.000	3.500	0.500	19330
B315216	1.938	2.250	3.250	1.000	0.250	3260	B4810240	3.000	3.500	6.375	2.500	1.125	22140
B315232	1.938	2.250	3.250	2.000	0.250	6310	B4810248	3.000	3.500	6.375	3.000	1.125	25880
B315240	1.938	2.250	3.250	2.500	0.250	7670	B4810440	3.000	3.500	6.500	2.500	1.125	22140
B315324	1.938	2.250	3.313	1.500	0.250	4860	B487632	2.500	2.875	4.000	2.000	0.313	17440
B315324-4N	1.938	2.250	3.313	1.500	0.250	4860	B487640	3.000	3.437	4.750	2.000	0.375	10410
B315332	1.938	2.250	3.313	2.000	0.250	6310	B487648	3.000	3.437	4.750	3.000	0.375	12660
B315332-4N	1.938	2.250	3.313	2.000	0.250	6310	B487656	3.000	3.437	4.750	3.500	0.375	14800
B315340	1.938	2.250	3.313	2.500	0.250	7670	B487656-4N	3.000	3.437	4.750	3.500	0.375	14800
B315348	1.938	2.250	3.313	3.000	0.250	8970	B487664	3.000	3.437	4.750	4.000	0.375	16860
B315348-4N	1.938	2.250	3.313	3.000	0.250	8970	B487680	3.000	3.437	2.750	5.000	0.375	22650
B315356	1.938	2.250	3.313	3.500	0.250	10220	B487696	3.000	3.437	4.750	6.000	0.375	26280
B315364	1.938	2.250	3.313	4.000	0.250	11420	B528032	3.250	3.875	5.000	2.000	0.375	9580
B315380	1.938	2.250	3.313	5.000	0.250	13730	B568432	3.500	4.125	5.250	2.000	0.313	9960
B325416	2.000	2.375	3.375	1.000	0.250	3480	B568440	3.500	4.125	5.250	2.500	0.375	18840
B325424	2.000	2.375	3.375	1.500	0.250	3830	B568448	3.500	4.125	5.250	3.000	0.313	12110
B325432	2.000	2.375	3.375	2.000	0.250	4970	B568448-4N	3.500	4.125	5.250	3.000	0.313	14160
B325440	2.000	2.375	3.375	2.500	0.250	6040	B568456	3.500	4.125	5.250	3.500	0.313	14160
B325448	2.000	2.375	3.375	3.000	0.250	7070	B568464	3.500	4.125	5.250	4.000	0.313	16120
B325456	2.000	2.375	3.375	3.500	0.250	8050	B568464-4N	3.500	4.125	5.250	4.000	0.313	18020
B325464	2.000	2.375	3.375	4.000	0.250	8990	B6412240	4.000	4.500	7.625	2.500	1.250	26850
B326624	2.000	2.625	4.125	1.500	0.438	7960	B649648	4.000	4.500	6.000	3.000	0.500	20160

PART NUMBER	INNER RACE		OUTER DIAMETER	LENGTH	ROLLER DIAMETER	LOAD RATING
	I.D.	O.D.				
	A	D	B	C	E	100 RPM
B649632	4.000	4.500	6.000	2.000	0.500	14180
B649640	4.000	4.500	6.000	2.500	0.500	17250
B649648	4.000	4.500	6.000	3.000	0.500	20160
B649648-2H	4.000	4.500	6.000	3.000	0.500	20160
B649656	4.000	4.500	6.000	3.500	0.500	22960
B649664	4.000	4.500	6.000	4.000	0.500	25660
B649672	4.000	4.500	6.000	4.500	0.500	25690
B649680	4.000	4.500	6.000	5.000	0.500	30850
B8011648	5.000	5.625	7.250	3.000	0.500	22980
B8011656	5.000	5.625	7.250	3.500	0.500	26170
B8011664	5.000	5.625	7.250	4.000	0.500	29260
B8011672	5.000	5.625	7.250	4.500	0.500	32250
B8011680	5.000	5.625	7.250	5.000	0.500	35160
B8011696	5.000	5.625	7.250	6.000	0.500	40800
B8012464	5.000	5.625	7.750	4.000	0.500	29260

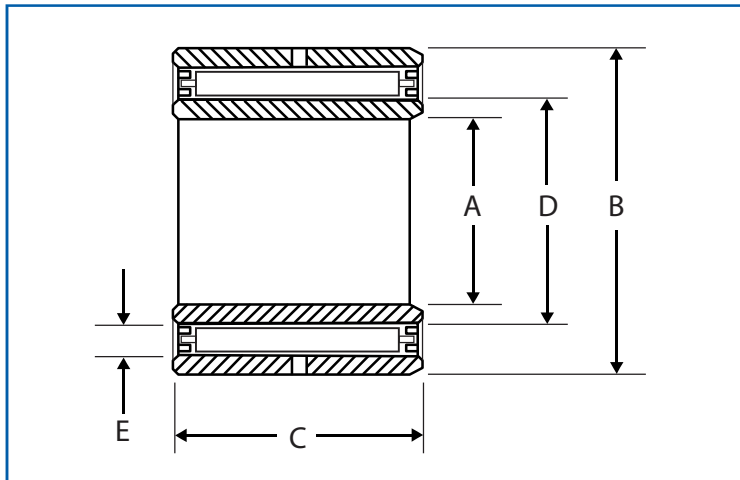
PART NUMBER	INNER DIAMETER		OUTER DIAMETER		WIDTH	ROLLER DIAMETER	INNER RACE OD
	A	D	B	C			
	MM	INCHES	MM	INCHES	C	E	D
TXW99208	38.100	1.500	80	3.150	1.375	0.375	2.000
TXW99207	31.750	1.250	72	2.835	1.187	0.375	1.750
TX99307	31.750	1.250	80	3.150	1.375	0.500	1.750
TW99206	28.570	1.125	62	2.441	1.125	0.313	1.500
TXW99209	42.860	1.688	85	3.347	1.562	0.375	2.200
TXW99210	49.212	1.938	90	3.543	1.750	0.375	2.300
TX99310	49.212	1.938	110	4.331	1.750	0.688	2.500
TXW99206	30.160	1.188	62	2.441	1.125	0.313	2.100
TZW99206	30.160	1.188	62	2.441	1.125	0.313	2.100
TW99207	35.000	1.375	72	2.835	1.187	0.375	1.750
T99307	35.000	1.375	80	3.149	1.375	0.500	1.750
TW99208	41.300	1.625	80	3.149	1.375	0.375	2.000
TYW99207	36.500	1.438	72	2.835	1.187	0.375	1.750
T99309	47.600	1.875	100	3.937	1.562	0.625	2.200
TW99213	63.500	2.500	120	4.724	2.062	0.500	3.100
T99312	63.500	2.500	130	5.118	3.500	0.750	3.000
TW99212	57.000	2.250	110	4.331	1.937	0.500	2.900
T99311	57.000	2.250	120	4.724	1.937	0.688	2.700
TYW99213	68.263	2.688	120	4.724	2.375	0.500	3.100
TXW99215	75.000	2.938	130	5.118	2.625	0.500	3.500
TXW99211	56.000	2.188	100	3.937	1.812	0.438	2.600
TYW99212	60.325	2.375	110	4.331	2.250	0.500	2.900
TXW99212	59.000	2.313	110	4.331	1.937	0.500	2.900
TXW99213	62.000	2.438	120	4.724	2.062	0.500	3.100
TW99215	76.000	3.000	130	5.118	2.625	0.500	3.500
TX99220	100.000	3.938	180	7.087	2.312	0.750	4.700
TXW99220	100.000	3.938	180	7.087	3.250	0.750	4.747
TW99218	95.000	3.750	160	6.299	2.812	0.688	4.200
TXW99218	88.000	3.438	160	6.299	2.812	0.688	4.200
T99220	102.000	4.000	180	7.087	2.312	0.750	4.700
TW99220	102.000	4.000	180	7.087	3.250	0.750	4.700
TX99222	113.000	4.438	200	7.874	2.562	0.875	5.200
T99226	125.000	4.938	230	9.055	3.125	0.750	6.000
TXW99226	125.000	4.938	230	9.055	4.250	1.000	6.000
TXW99222	113.000	4.438	200	7.874	3.500	0.875	5.200
TYW99226	130.000	5.117	230	9.055	4.250	1.000	6.000

T99000 SERIES WITH NOTCHED INNER RACES



Our customer service and sales representatives are always available to help you.

200 AND 300 SERIES SOLID RACE BEARINGS



PART NUMBER	INNER DIAMETER A		OUTER DIAMETER B		WIDTH C	ROLLER DIAMETER E	OD INNER RACE D	LOAD RATING 100 RPM
	MM	INCHES	MM	INCHES				

W99210	50	1.969	90	3.544	1.750	2.375	3.750	7780
D99210	50	1.969	90	3.544	3.500	2.375	0.375	9240
99310	50	1.969	110	4.331	1.750	2.500	0.688	9600
W99211	55	2.165	100	3.937	1.812	2.625	0.438	9470
99211	55	2.165	100	3.937	1.312	2.625	0.438	7020
D99211	55	2.165	100	3.937	3.625	2.625	0.438	18940
99311	55	2.165	120	4.724	1.937	2.750	0.688	12160
W99212	60	2.336	110	4.331	1.937	2.875	0.500	10720
99212	60	2.336	110	4.331	1.437	2.875	0.500	8150
99312	60	2.336	130	5.118	2.062	3.000	0.750	14290
M99312	60	2.336	130	5.118	2.125	3.000	0.750	15800
D99212	60	2.336	110	4.331	3.875	2.875	0.600	21440
99213	65	2.559	120	4.724	1.500	3.125	0.500	9095
W99213	65	2.559	120	4.72	2.062	3.125	0.500	10700
D99213	65	2.559	120	4.724	4.125	3.125	0.500	25300
99313	65	2.559	140	5.512	2.188	3.250	0.813	15840
99214	70	2.756	125	4.921	1.625	3.312	0.500	9900
W99214	70	2.756	125	4.921	2.375	3.312	0.500	13890
D99214	70	2.756	125	4.921	4.750	3.312	0.500	23814
M99314	70	2.756	150	5.906	2.500	3.500	0.875	18460
99314	70	2.756	150	5.906	2.312	3.500	0.875	17250
99215	75	2.953	130	5.118	1.750	3.500	0.500	10590
W99215	75	2.953	130	5.118	2.625	3.500	0.500	15140
D99215	75	2.953	130	5.118	5.250	0.350	0.500	30280
99216	80	3.150	140	5.512	1.812	3.750	0.563	12390
W99216	80	3.150	140	5.512	2.625	3.750	0.563	17190
D99216	80	3.150	140	5.512	5.250	3.750	0.563	29472
M99316	80	3.150	170	6.693	2.625	4.000	1.000	15930
99217	85	3.347	150	5.906	1.937	4.000	0.625	12860
W99217	85	3.347	150	5.906	2.750	4.000	0.625	17470
D99217	85	3.347	150	5.906	5.500	4.000	0.625	34940
99317	85	3.347	180	7.087	2.750	4.250	1.000	23130
M99317	85	3.347	180	7.087	2.875	4.250	1.000	23030
99218	90	3.544	160	6.299	2.063	4.250	0.688	15070
W99218	90	3.544	160	6.299	2.812	4.250	0.688	19730
99219	95	3.740	170	6.693	2.187	4.500	0.750	18280
W99219	95	3.740	170	6.693	3.000	4.500	0.750	24010
99220	100	3.937	180	7.087	2.312	4.750	0.750	19200
W99220	100	3.937	180	7.087	3.250	4.750	0.750	25700
99222	110	4.331	200	7.874	2.562	5.250	0.875	23600
W99222	110	4.331	200	7.874	3.500	5.250	0.875	30750
99224	120	4.724	215	8.465	2.812	5.625	0.938	27530
W99224	120	4.724	215	8.465	3.875	5.625	0.938	36060
W99226	130	5.118	230	9.055	4.250	6.062	1.000	43790
99226	130	5.118	230	9.055	3.125	6.062	1.000	33870
W99232	160	6.299	290	11.417	4.875	7.625	1.250	59360

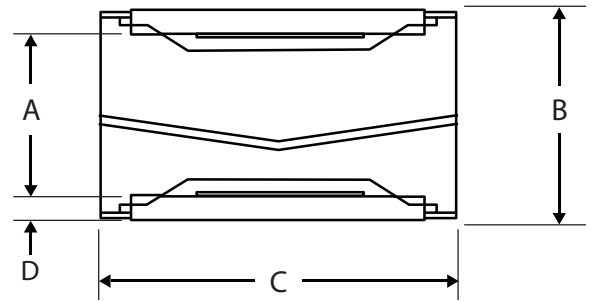
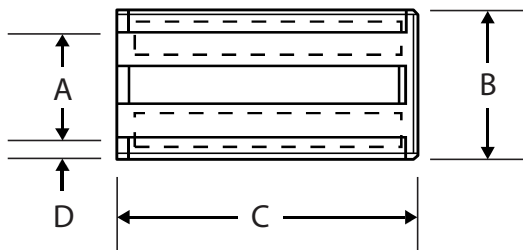
PART NUMBER	INNER DIAMETER A		OUTER DIAMETER B		WIDTH C	OD OF INNER RACE D	ROLLER DIAMETER E	LOAD RATING 100 RPM
	MM	INCHES	MM	INCHES				
99305	25	0.984	62	2.441	1.125	1.250	0.438	3230
W99206	30	1.181	62	2.441	1.125	1.500	0.313	2930
99206	30	1.181	62	2.441	0.812	1.500	0.313	2080
99306	30	1.181	72	2.835	1.187	1.500	0.500	4990
N99306	30	1.181	72	2.835	0.937	1.500	0.500	3920
W99207	35	1.378	72	2.835	1.187	1.750	0.375	4500
99207	35	1.378	72	2.835	0.937	1.750	0.375	3540
99307	35	1.378	80	3.150	1.375	1.750	0.500	5850
99208-19	38	1.497	80	3.150	1.187	2.000	0.375	4510
99208	40	1.575	80	3.150	1.000	2.000	0.375	4190
W99208	40	1.575	80	3.150	1.375	2.000	3.750	5190
99308	40	1.575	90	3.543	1.437	2.000	0.563	7390
99209	45	1.772	85	3.347	1.125	2.187	3.750	5160
W99209	45	1.772	85	3.347	1.562	2.187	0.375	7070
99309	45	1.772	100	3.937	1.562	2.250	6.250	8950
S99406	30	1.181	80	3.150	1.375	1.625	0.563	5140
99210	50	1.969	90	3.544	1.250	2.375	3.750	5670

For nearly 80 years, Berliss has been proud to meet the needs of our customers.

NYLON CAGE ROLLER BEARINGS WITH SPLIT OUTER RACE



WELDED CAGE BEARING WITH SPLIT OUTER RACE



PART NUMBER	SHAFT DIAMETER A	OUTSIDE DIAMETER B	OPERATING SPACE C	ROLLER DIAMETER D	LOAD RATING 100 RPM
HP73320NAH	0.750	1.187	1.250	0.188	570
HP73322NAH	0.750	1.187	1.375	0.188	627
HP73324NAH	0.750	1.187	1.500	0.188	678
HP73328NAH	0.750	1.187	1.750	0.188	784
HP73330NAH	0.750	1.187	1.875	0.188	835
HP73332NAH	0.750	1.187	2.000	0.188	884
HP73340NAH	0.750	1.187	2.500	0.188	1074
P73330NA	0.750	1.187	1.875	0.188	440
P83320	0.750	1.187	1.250	0.188	300
P83322	0.750	1.187	1.375	0.188	330
P83324	0.750	1.187	1.500	0.188	357
P83328	0.750	1.187	1.750	0.188	413
P83330	0.750	1.187	1.875	0.188	440
P83332	0.750	1.187	2.000	0.188	465
P83340	0.750	1.187	2.500	0.188	566

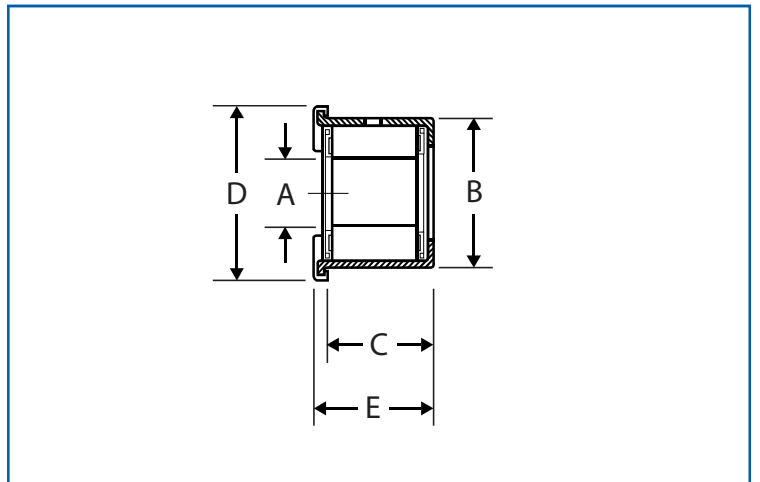
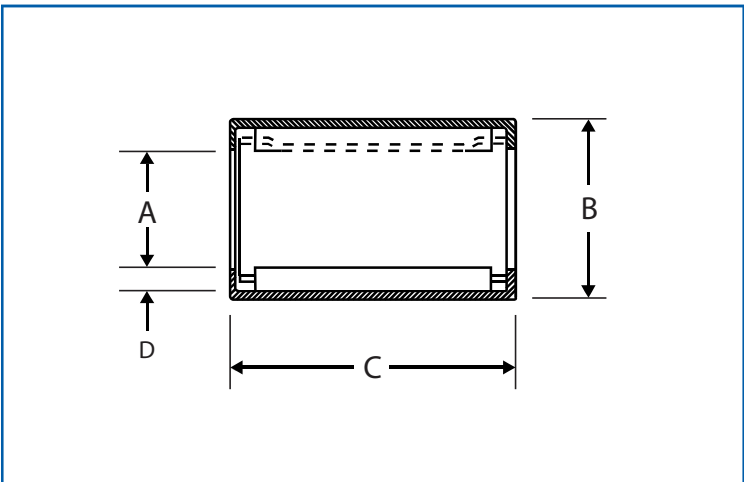
PART NUMBER	SHAFT DIAMETER A	OUTSIDE DIAMETER B	OPERATING SPACE C	ROLLER DIAMETER D	LOAD RATING 100 RPM
HP63330NAH	0.750	1.188	1.875	0.188	927

We consider our customers part of the Berliss family.

DRAWN CUP ROLLER BEARING



FLANGED ROLLER BEARING



PART NUMBER	SHAFT DIAMETER A	OUTSIDE DIAMETER B	OPERATING SPACE C	ROLLER DIAMETER D	LOAD RATING 100 RPM
DCH091222NAH	0.625	1.187	1.375	0.218	707
DCH91222NAH	0.625	1.187	1.375	0.218	707
DC91230NAH	0.625	1.187	1.875	0.218	638
DCH91230NAH	0.625	1.187	1.875	0.218	970
DCH091230NAH	0.625	1.187	1.875	0.218	970
DC92322NAH	0.750	1.187	1.375	0.156	413
DCH92322NAH	0.750	1.187	1.375	0.156	627
DCH092322NAH	0.750	1.187	1.375	0.156	627
DC92330NAH	0.750	1.187	1.875	0.156	566
DCH92330NAH	0.750	1.187	1.875	0.156	860
DCH092330NAH	0.750	1.187	1.875	0.156	860

PART NUMBER	SHAFT DIAMETER A	OUTSIDE DIAMETER B	OPERATING SPACE C	FLANGE DIAMETER D	OVERALL WIDTH E
FB95216NA	0.625	1.375	1.000	1.625	1.125
FB94316NA	0.750	1.375	1.000	1.625	1.125

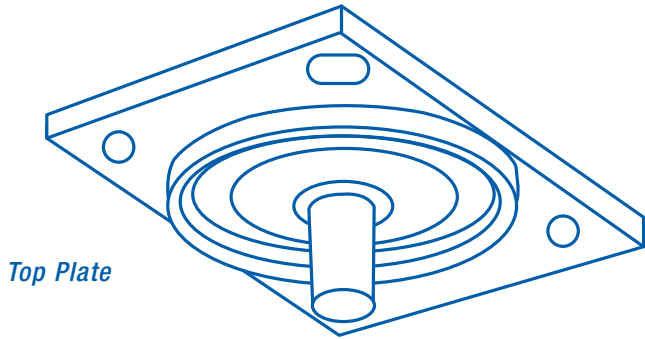
We continuously strive to increase our manufacturing and engineering processes to meet our customers' requirements.



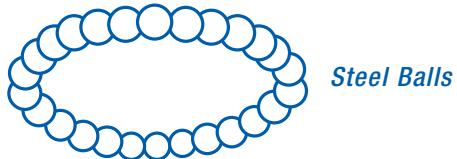
Caster Bearings & Components

CASTER TERMINOLOGY

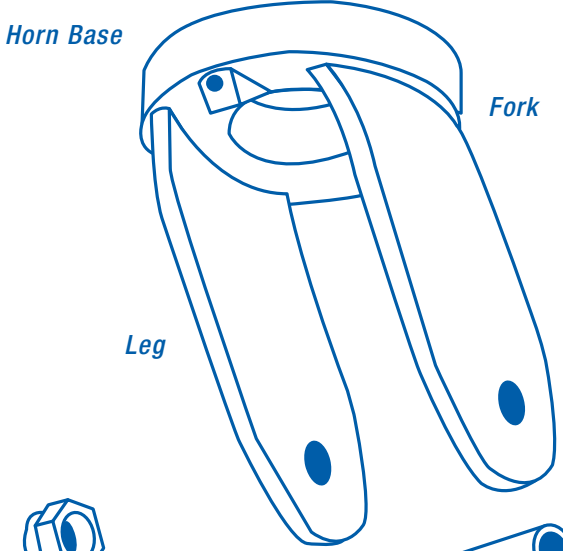
Berliss is the leading manufacturer of the products listed in red.



Top Plate



Steel Balls



Horn Base

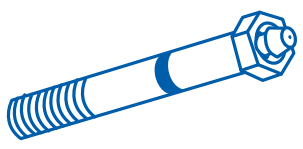
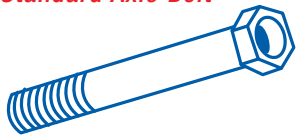
Fork



Lubrication Fitting

Leg

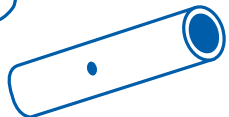
Standard Axle Bolt



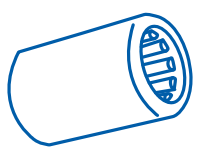
Lube Axle



Axle Nut



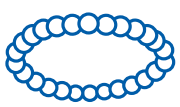
Spanner Bushing



Roller Bearing



Secondary Load Bearing (precision)



Secondary Load Bearing (commercial)



Cupped Grease Retainer

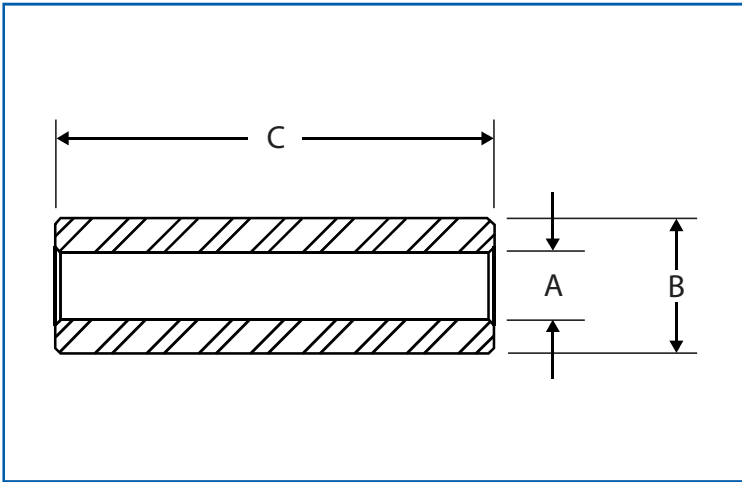


Secondary Bearing Retainer

SPANNER BUSHINGS



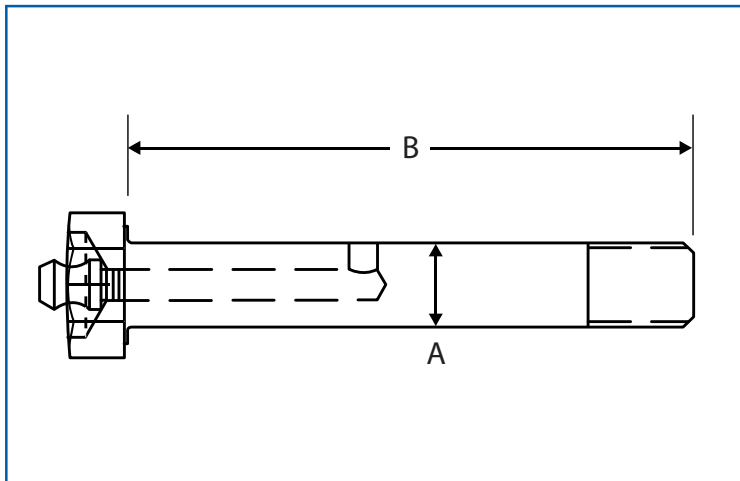
PART NUMBER	INNER DIAMETER A	OUTER DIAMETER B	LENGTH C
SB08.6-12-40-1H	0.535	0.750	2.500
SB08-10-2.03-1H	0.500	0.625	2.030
SB08-10-2.28-1H	0.500	0.625	2.281
SB08-10-30	0.500	0.625	1.875
SB08-10-32	0.500	0.625	2.000
SB08-10-32-1H	0.500	0.625	2.000
SB08-10-37	0.500	0.625	2.938
SB08-10-39	0.500	0.625	2.438
SB08-10-39-2H	0.500	0.625	2.438
SB08-10-4.1-2HZ	0.510	0.625	4.090
SB08-10-40	0.625	0.500	2.500
SB08-12-2.22-H	0.500	0.750	2.218
SB08-12-2.28-H	0.500	0.750	2.218
SB08-12-2.40-1H	0.500	0.750	2.407
SB08-12-2.59-R	0.500	0.750	2.590
SB08-12-24	0.500	0.750	1.500
SB08-12-30-1H	0.500	0.750	1.875
SB08-12-34	0.500	0.750	2.125
SB08-12-35	0.500	0.750	2.188
SB08-12-36	0.500	0.750	2.250
SB08-12-36-1H	0.500	0.750	2.250
SB08-12-37	0.500	0.750	2.313
SB08-12-37-1H	0.500	0.750	2.313
SB08-12-38	0.500	0.750	2.375
SB08-12-39-1H	0.500	0.750	2.438
SB08-12-39-1SS	0.500	0.750	2.438
SB08-12-39-2HYZ	0.500	0.750	2.438
SB08-12-39-2HZ	0.500	0.750	2.438
SB08-12-40-1H	0.500	0.750	2.500
SB08-12-40-H	0.500	0.750	2.500
SB08-12-46-1H	0.500	0.750	2.875
SB08-12-47-1H	0.500	0.750	2.938
SB08-12-48-2HG	0.500	0.750	3.000
SB08-12-52-1H	0.500	0.750	3.250
SB08-12-53	0.500	0.750	3.938
SB08-12-60	0.500	0.750	5.000
SB08-12-64-H	0.510	0.750	3.985
SB08-12-64-HGZ	0.510	0.750	4.000
SB08-12-7.485-Z	0.531	0.750	7.485
SB08-12-74-HGZ	0.510	0.750	4.625
SB08-9.7-2.2-1S	0.502	0.605	2.280
SB10-12-30-1H	0.625	0.750	1.875
SB10-12-35-1H	0.625	0.750	2.188
SB10-12-39-1HG	0.625	0.750	2.438
SB10-12-41	0.625	0.750	2.563
SB10-12-48-2H	0.625	0.750	3.000
SB12.2-16-57-2H	0.760	1.000	3.563
SB12-16-2.71-2H	0.750	1.000	2.713
SB12-16-25	0.750	1.000	1.563
SB12-16-34-1H	0.750	1.000	2.125
SB12-16-40	0.750	1.000	2.500
SB12-16-46-2H	0.750	1.000	2.875
SB12-16-48-2H	0.750	1.000	3.000
SB12-16-48-2SS	0.750	1.000	3.000
SB12-16-49-2HG	0.750	1.000	3.063
SB12-16-54-2H	0.750	1.000	3.375
SB12-16-55-2H	0.750	1.000	3.438
SB12-16-56-1SS	0.750	1.000	3.500
SB12-16-56-2H	0.750	1.000	3.500
SB12-16-57-2H	0.750	1.000	3.563
SB12-16-57-2HG	0.750	1.000	3.563
SB12-20-57-2H	0.750	1.250	3.563
SB12-20-73-1H	0.750	1.250	4.563
SB16-20-54-1H	1.000	1.250	3.375
SB16-20-57-2HG	1.000	1.250	3.563
SB16-20-60	1.000	1.250	5.000
SB16-20-73	1.000	1.250	4.563
SB16-20-73-2H	1.000	1.250	4.563
SB20-24-73-2H	1.250	1.500	4.563
SB20-24-74	1.250	1.500	4.563
SB20-24-89-2H	1.250	1.500	5.563



PART NUMBER	INNER DIAMETER A	OUTER DIAMETER B	LENGTH C
SB03.8-6.3-1-HZ	0.236	0.394	1.090
SB04-05-18-H	0.250	0.313	1.125
SB04-06-20	0.250	0.375	1.250
SB05-06-24	0.313	0.375	1.500
SB06.2-10-57-Z	0.385	0.625	3.563
SB06-08-1.60-1H	0.375	0.500	1.600
SB06-08-1.60-H	0.375	0.500	1.600
SB06-08-1.63-H	0.375	0.500	1.635
SB06-08-24-1SS	0.375	0.500	1.500
SB06-08-25-1H	0.375	0.500	1.563
SB06-08-26-1H	0.375	0.500	1.625
SB06-08-26-1SS	0.375	0.500	1.625
SB06-08-27-1H	0.375	0.500	1.688
SB06-08-27-1SS	0.375	0.500	1.688
SB06-08-28-1HG	0.375	0.500	1.750
SB06-08-30-1HG	0.375	0.500	1.875
SB06-08-39-1H	0.375	0.500	2.438
SB06-10-2.09-1H	0.375	0.625	2.090
SB06-10-29-1H	0.375	0.625	1.813
SB06-12-1.63-1H	0.375	0.750	1.630
SB06-12-2.03-1H	0.375	0.750	2.030
SB06-12-2.60-Z	0.385	0.750	2.600
SB06-12-30-1H	0.375	0.750	1.875
SB07.2-10-2.09H	0.453	0.625	2.090
SB08.5-12-5.8-Z	0.500	0.750	5.879
SB08.6-12-3.3-Z	0.540	0.750	3.330

While roller bearings are our specialty, Berliss is able to successfully produce many other custom products.

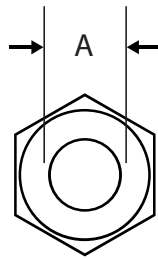
AXLE BOLTS



PART NUMBER	DIAMETER A	LENGTH B
05C2.52-Z	0.313	2.520
05C36-2Z	0.313	2.250
05C36-2Z.B	0.313	2.250
05C36-3Z	0.313	2.250
05F2.15-Z	0.313	2.150
050.59-Z	0.313	0.590
0502.20	0.313	2.200
06C2.09-2Z	0.375	2.090
06C2.09-3Z	0.375	2.099
06C2.09-PSS	0.375	2.090
06C2.09-Z	0.375	2.090
06C2.17-Z	0.375	2.170
06C2.22-3PSS	0.375	2.220
06C2.26-2Z	0.375	2.260
06C2.26-3Z	0.375	2.260
06C2.26-Z	0.375	2.260
06C2.34-154Z	0.375	2.340
06C2.42-3-PSS	0.375	2.420
06C2.42-3Z	0.375	2.420
06C2.42-Z	0.375	2.420
06C2.53-2Z	0.375	2.530
06C2.53-3Z	0.375	2.530
06C2.53-PSS	0.375	2.530
06C2.84-3Z	0.375	2.840
06C2.84-Z	0.375	2.840
06C35-2Z	0.375	2.188

PART NUMBER	LENGTH B	DIAMETER A
06C35-3Z	0.375	2.188
06C35-3ZB	0.375	2.188
06C35-Z	0.375	2.188
06C36-3SS	0.375	2.250
06C36-3Z	0.375	2.250
06C38-3Z	0.375	2.375
06C40-2Z	0.375	2.500
06C40-2Z.B	0.375	2.500
06C40-3Z.06	0.375	2.500
06C40-3Z.BC	0.375	2.500
06C40-4Z	0.375	2.500
06C40-Z	0.375	2.500
06C40-Z.06	0.375	2.500
06C44-2Z	0.375	0.275
06C44-3Z	0.375	2.750
06C46-2Z	0.375	2.875
06F20-4HZ	0.375	1.250
06F20-HZ	0.375	1.250
06F36-2Z.03	0.375	2.250
07C32-HB	0.438	2.000
07040-2Z	0.438	2.500
08C2.53-3Z	0.500	2.530
08C2.80-Z	0.500	2.800
08C44-3Z	0.500	2.750
08C48-3Z	0.500	3.000
08C52-3SS	0.500	3.250
08C52-3Z	0.500	3.250
08C54	0.500	3.375
08C54-3YC	0.500	3.375
08C54-3Z	0.500	3.375
08C54-3Z.B	0.500	3.375
08C54-3ZYC	0.500	3.375
08C54-R.06	0.500	3.375
08C54-Z	0.500	3.375
08C56-3SS.B	0.500	3.500
08C56-3Z	0.500	3.500
08C58-3YC	0.500	3.625
08C58-3Z	0.500	3.625
08C58-Z	0.500	3.625
08C64-3SS	0.500	4.000
08C64-3Z	0.500	4.000
08C72-3Z	0.500	4.500
08F3.27-3Z	0.500	3.270
08F3.27-Z	0.500	3.270
08F3.58-3Z	0.500	3.580
08F40-2HZ	0.500	2.500
08F44-3Z	0.500	2.750
08F44-3Z.06	0.500	2.750
08F45-3Z	0.500	2.813
08F45-3Z45	0.500	2.813
08F45-Z	0.500	2.813
08F48-3Z	0.500	3.000
08F48-Z	0.500	3.000
08F54-3Z	0.500	3.375
08F54-3Z.06	0.500	3.375
08F54-Z	0.500	3.375
08F54-Z.06	0.500	3.375
08F56-3Z	0.500	3.500
08F56-3Z.08	0.500	3.500
08F56-Z	0.500	3.500
08F58-3Z	0.500	3.625
08F64-2Z.01	0.500	4.000
08F64-3Z	0.500	4.000
10C17-HZ	0.625	1.063
10C60-3Z	0.625	3.750
10C88-3Z	0.625	5.500
100.78-HZ	0.625	0.780
100.78-Z	0.625	0.780
12C21-HZ	0.750	1.313
12C28-HZ	0.750	1.750
12C68-3Z	0.750	4.250
12C68-Z	0.750	4.250
12C72-3Z	0.750	4.500
12C76-2Z	0.750	4.750
12C76-3Z	0.750	4.750
12C76-Z	0.750	4.750
12C80-3Z	0.750	5.000
12C80-3Z.B	0.750	5.000
12C80-Z	0.750	5.000
12C88-3Z	0.750	5.500
12C96-3Z	0.750	6.000
16C96-3Z	1.000	6.000

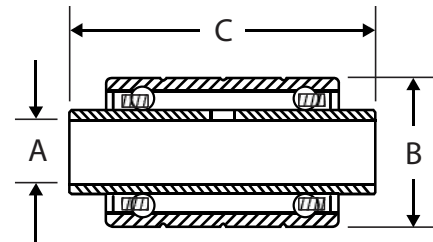
NUTS



PART NUMBER	DIAMETER A
-------------	------------

05C-JNYZ	0.313
05C-SCLZ	0.313
06C-JCLS	0.375
06C-JCLZW	0.375
06C-JNYS	0.375
06C-JNYZ	0.375
06C-JOZ	0.375
06C-JTLZW	0.375
06C-SCLS	0.375
06C-SNYZ	0.375
06C-STLS	0.375
06F-JOZ	0.375
08C-CZ	0.500
08C-JCLS	0.500
08C-JCLZW	0.500
08C-JNYZ	0.500
08C-JTLYCW	0.500
08C-JTLZW	0.500
08C-SCLZW	0.500
08C-SNYS	0.500
08C-SNYZ	0.500
08C-STLS	0.500
08F-CZ	0.500
08F-JNYZ	0.500
08F-JTLZW	0.500
12C-JTLZW	0.750
16C-JTLZW	1.000

DOUBLE ROW CARTRIDGE



PART NUMBER	INNER DIAMETER A	OUTER DIAMETER B	WIDTH C
-------------	------------------	------------------	---------

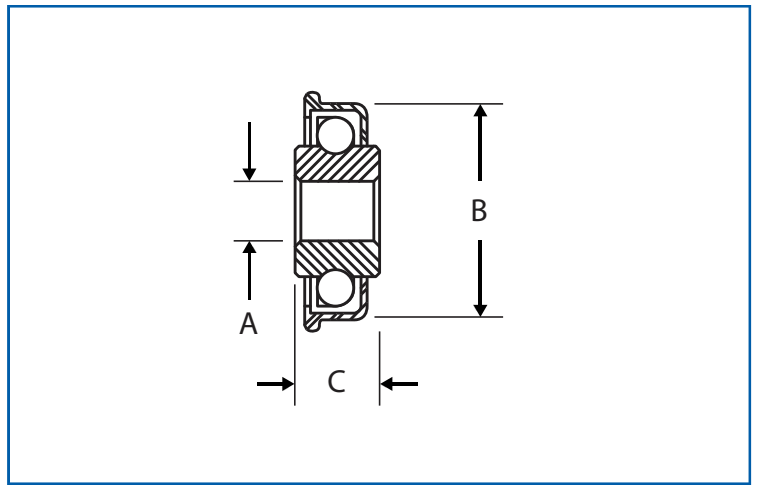
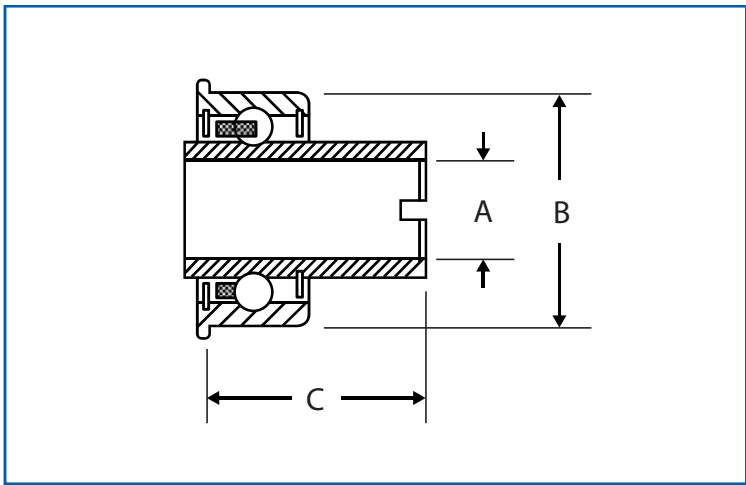
DRC081939	0.500	1.188	2.438
-----------	-------	-------	-------

Berliss is committed to producing high quality bearings. We possess the expertise to deliver on time and within budget to our valued customers.

RADIAL BALL WITH EXTENDED INNER (BUTT OUT) BALL BEARING



UNGROUND FLANGED BALL BEARINGS



PART NUMBER	INNER DIAMETER A	OUTER DIAMETER B	WIDTH C
RBB081916-2RS	0.500	1.188	0.831
RBB081920-Z	0.500	1.875	1.106
SSRBB081920-2RS	0.500	1.875	1.106
DPRB1231163-2RS	0.750	1.938	1.625
PRB1231163-2RS	0.750	1.938	1.625
PRBB081916-2RS	0.500	1.188	0.831
PRBB081920-2RS	0.500	1.188	1.106
PRBB0819952-2RS	0.500	1.188	0.952

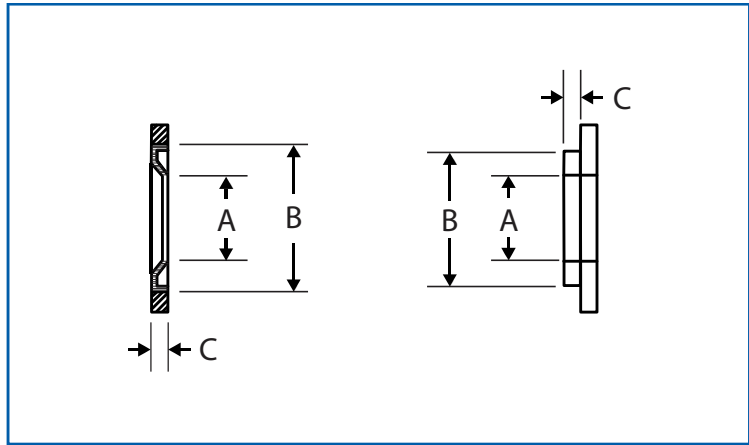
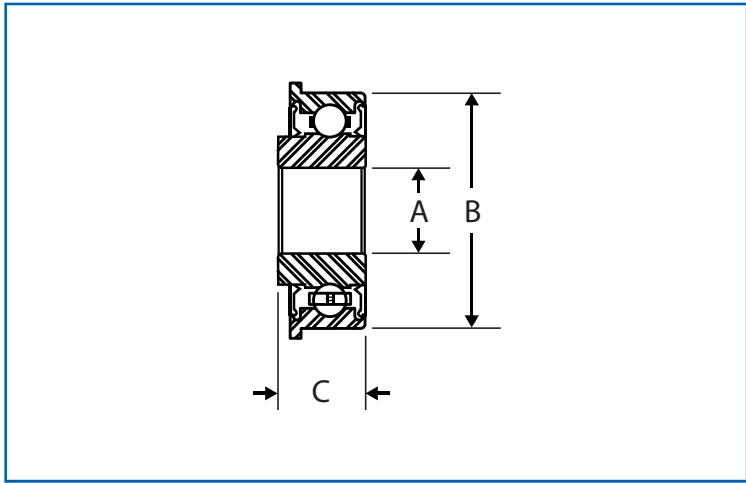
PART NUMBER	INNER DIAMETER A	OUTER DIAMETER B	WIDTH C
FBB051807	0.313	1.125	0.438
FBB061807	0.375	1.125	0.438
FBB061812	0.375	1.125	0.750
FBB081807	0.500	1.125	0.438
FBB082208	0.500	1.375	0.525
FBB102208	0.625	1.375	0.525
FBB122208	0.750	1.375	0.438

Berliss offers exceptional products, cost effective pricing and availability.

PRECISION FLANGED BALL BEARINGS



RETAINER (WASHER) SEALS AND COMBO WASHERS



PART NUMBER	INNER DIAMETER A	OUTER DIAMETER B	WIDTH C
PRBB082206-2RS	0.500	1.375	0.510
PRBB102206-2RS	0.625	1.375	0.510
F103-2RS	0.750	1.375	0.510
PRBB122206-2RS	0.750	1.375	0.510

PART NUMBER	INSIDE DIAMETER A	OUTSIDE DIAMETER B	THICKNESS C
EC12-19-09	0.750	1.188	0.094
EC16-31-12	1.000	1.938	0.125
WS10-17-09	0.625	1.063	0.094
WS10-17-12	0.625	1.063	0.125
WS10-19-06	0.625	1.188	0.063
WS10-19-09	0.625	1.188	0.094
WS10-19-12	0.625	1.188	0.125
WS12-19-09	0.750	1.188	0.094
WS12-19-09SIL	0.750	1.188	0.094
WS12-21-12	0.750	1.313	0.125
WS12-22-12	0.750	1.375	0.125
WS12-23-12	0.750	1.438	0.125
WS12-24-12	0.750	1.500	0.125
WS12-25-12	0.750	1.563	0.125
WS16-23-12	1.000	1.438	0.125
WS16-25-12	1.000	1.563	0.125
WS16-28-12	1.000	1.750	0.125
WS16-31-12	1.000	1.938	0.125
WS16-31-12VIT	1.000	1.938	0.125
WS16-36-12	1.000	2.250	0.125
WS20-31-12	1.250	1.938	0.125
WS20-32-12	1.250	2.000	0.125
WS20-33-12	1.250	2.063	0.125
WS20-36-12	1.250	2.250	0.125
WS20-39-12	1.250	2.438	0.125
WS24-38-12	1.500	2.375	0.125
WS24-39-12	1.500	2.438	0.125

Whether it's a stock bearing you desire, or a custom product for a special application, Berliss can help!



Sealing Products

Berliss is a proud manufacturer of high quality, cost effective mechanical seals. We can also provide multi-spring and cartridge seals, along with a variety of gasket and packing materials to meet all of your fluid sealing needs.

Our part numbers are broken down into 3 sections, each separated by an underscore (_). Here is one example of our part number: MA21_1-1/2_BCLRL01

1ST SECTION OF PART NUMBER:

This section identifies the type of product. In this case, “MA21”, tells you that this is a “mechanical seal assembly” of type “21”. BSP seal types are identical to those of many leading mechanical seal manufacturers (1, 2, 21, 6, 6A).

2ND SECTION OF PART NUMBER:

This section is used solely to identify the size of the product. In this case, “1-1/2” means that it is a seal for a 1-1/2 inch diameter shaft.

<i>Our</i>	<i>Type</i>	<i>1</i>	<i>2</i>	<i>21</i>	<i>6</i>	<i>6A</i>
<i>Letter</i>	<i>Type</i>	<i>E</i>	<i>D</i>	<i>C</i>	<i>A</i>	<i>B</i>
<i>Number</i>	<i>Type</i>	<i>51</i>	<i>52</i>	<i>21</i>	<i>16</i>	<i>68</i>

3RD SECTION OF PART NUMBER:

This last section tells you the materials which comprise the seal. The first letter is the elastomer, the second is the rotating face, the third is the retainer and drive band, the fourth is the stationary seat, the fifth is the spring and spring holder, the sixth is the seat type and the seventh is a unique identifier to distinguish among seals which have the same first six letters.

B = buna, V = viton, E = epr

C = carbon, S = silicon carbide, T = tungsten carbide

L = stainless steel spring 304 or 316

R = ceramic, N= niresist, S = silicon carbide, T = tungsten carbide

L = stainless steel retainer and drive band

P = cup, O = o-ring

1 = standard assembly

2 = tapered spring

2A = long or short spring for a change in working length

3 = inquire

4 = inquire

5-5A-5B etc = seat dimensions are different

6-6A = seat dimensions and spring are changed

MATERIALS

TYPE	ROTATING FACE	STATIONARY SEAT	ELASTOMER	SEAT TYPE
1	C,S,T	R,N,S,T	B,V,E	O,P
2	C,S,T	R,N,S,T	B,V,E	O,P
21	C,S,T	R,N,S,T	B,V,E	O,P
21A	C	R,N,S,T	B,V	O,P
6	C,S,T	R,N,S,T	B,V	O,P
6A	C,S,T	R,N,S,T	B,V	O,P

C = Carbon R = Ceramic B = Buna O = O-ring S = Silicon N = Ni-resist V = Viton
P = Cup T = Tungsten L = Stainless E = EPR

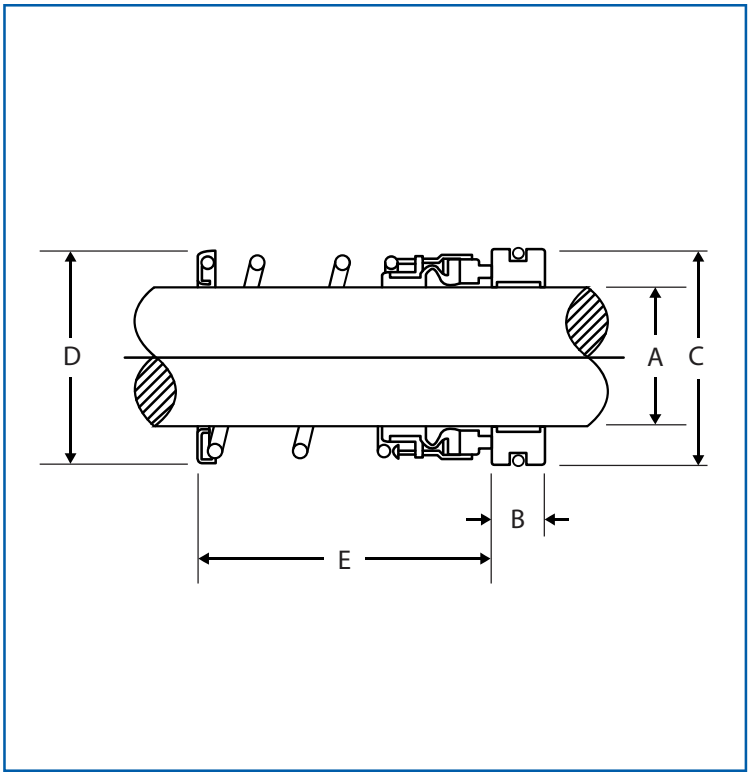
- If the material you require is not listed, please ask one of our engineers for assistance
- All metal parts are made of stainless steel
- All dimensions are in inches unless otherwise noted
- OD = outside diameter
- Dimensions are approximate, please contact our engineers for more information
- Type 21A seals are crimped head style seals
- Contact our sales force to learn about the custom sizes available on all parts

MATERIAL SPECIFICATIONS

CATEGORY	CERAMIC 95	CERAMIC 99	SILICON	TUNGSTEN	NI-RESIST	PRESS CARBON	IMPR CARBON
DENSITY	3.71 G/CM3	3.89 G/CM3	>2.98 G/CM3	14.6 G/CM3	7.4 G/CM3	1.68 G/CM3	1.75 G/CM3
FLEXURAL STRENGTHS	320 MPA	330 MPA	420 MPA	1900 MPA	180 MPA	54 MPA	67 MPA
THERMAL EXPANSION	8.0 CTE	8.2 CTE	4.3 CTE	5 CTE	4.8 CTE	4.2 CTE	4.5 CTE
HARDNESS	1900 KG/MM2	2000 KG/MM2	2200 KG/MM2	90 HRA	80 HRA	65-80 HS	90 HS
COMPRESSION STRENGTHS	2300 MPA	2600 MPA	2500 MPA	3200 MPA	200 MPA	147 MPA	200 MPA

CATEGORY	U/M	NBR	VITON	EPR
DUROMETER	A SCALE	65	70	56
ELONGATION	%	230	184	510
MAX TEMP.	DEGREES F	200	400	300
ANTI-BREAK	MPA	14	14	14

TYPE 1



SHAFT DIAMETER	SEAT THICKNESS	SEAT OD	SEAL HEAD OD	OPERATING HEIGHT
0.500	0.312	1.000	0.937	1.140
0.625	0.406	1.250	1.093	1.312
0.750	0.406	1.375	1.218	1.312
0.875	0.406	1.500	1.406	1.375
1.000	0.437	1.625	1.500	1.562
1.125	0.437	1.750	1.625	1.625
1.250	0.437	1.875	1.812	1.625
1.375	0.437	2.000	1.875	1.687
1.500	0.437	2.125	2.000	1.687
1.625	0.500	2.375	2.250	2.000
1.750	0.500	2.500	2.375	2.000
1.875	0.500	2.625	2.500	2.125
2.000	0.500	2.750	2.625	2.125
2.125	0.562	3.000	2.812	2.375
2.250	0.562	3.125	2.937	2.375
2.375	0.562	3.250	3.062	2.500
2.500	0.562	3.375	3.188	2.500
2.625	0.625	3.375	3.375	2.750
2.750	0.625	3.500	3.500	2.750
2.875	0.625	3.750	3.625	2.875
3.000	0.625	3.875	3.750	2.875
3.250	0.781	4.125	4.125	3.125
3.500	0.781	4.250	4.375	3.125
3.750	0.781	4.625	4.625	3.250

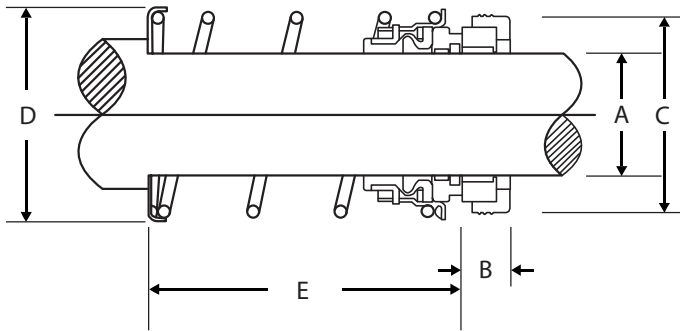
Operating Limits:

Pressure = 230 psi
Speed = 6000 f/m

Technical Features:

Single seal
Unbalanced
Single spring
Bi-directional
Elastomer bellows
Equivalent to competitors' type 1,
type 51 and type E

TYPE 2



SHAFT DIAMETER	SEAT THICKNESS	SEAT OD	SEAL HEAD OD	OPERATING HEIGHT
0.500	0.312	1.000	1.125	0.813
15MM	0.406	1.250	1.312	0.875
0.625	0.406	1.250	1.406	0.875
0.750	0.406	1.375	1.531	0.875
20MM	0.406	1.500	1.562	0.937
0.875	0.406	1.500	1.718	0.937
1.000	0.437	1.625	1.812	0.937
1.125	0.437	1.750	1.937	1.062
30MM	0.437	1.875	2.000	1.062
1.250	0.437	1.875	2.062	1.062
1.375	0.437	2.000	2.250	1.125
1.500	0.437	2.125	2.375	1.125
1.625	0.500	2.375	2.718	1.375
1.750	0.500	2.500	2.750	1.375
1.875	0.500	2.625	2.875	1.500
2.000	0.500	2.750	3.000	1.500
2.125	0.562	3.000	3.250	1.687
2.250	0.562	3.125	3.375	1.687
2.375	0.562	3.250	3.500	1.812
2.500	0.562	3.375	3.625	1.812
2.625	0.625	3.375	3.875	1.937
2.750	0.625	3.500	4.000	1.937
2.875	0.625	3.750	4.125	2.062
3.000	0.625	3.875	4.250	2.062

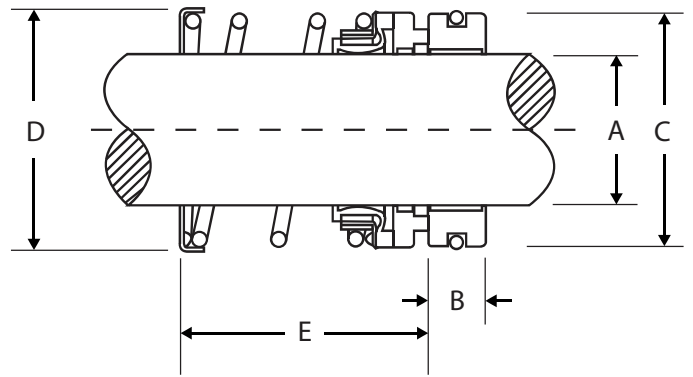
Operating Limits:

Pressure = 230 psi
Speed = 5000 f/m

Technical Features:

Single seal
Unbalanced
Single spring
Bi-directional
Elastomer bellows
Equivalent to competitors' type 2,
type 52 and type D

TYPE 21



SHAFT DIAMETER	SEAT THICKNESS	SEAT OD	SEAL HEAD OD	OPERATING HEIGHT
0.375	0.312	0.875	0.812	0.812
0.437	0.240	1.175	0.875	0.718
0.500	0.312	1.000	0.937	0.812
0.562	0.343	1.187	1.062	0.812
0.625	0.406	1.250	1.062	0.875
0.750	0.406	1.375	1.187	0.875
0.875	0.406	1.500	1.312	0.937
1.000	0.437	1.625	1.687	1.002
1.125	0.437	1.750	1.812	1.062
1.250	0.437	1.875	1.937	1.062
1.375	0.437	2.000	2.062	1.125
1.500	0.437	2.125	2.187	1.125
1.625	0.500	2.375	2.275	1.375
1.750	0.500	2.500	2.625	1.375
1.875	0.500	2.625	2.750	1.500
2.000	0.500	2.750	2.875	1.500
2.125	0.562	3.000	3.000	1.687
2.250	0.562	3.125	3.125	1.687
2.375	0.562	3.250	3.250	1.812
2.500	0.562	3.375	3.343	1.812
2.625	0.625	3.375	3.500	1.937
2.750	0.625	3.500	3.750	1.937
2.875	0.625	3.750	3.875	2.062
3.000	0.625	3.875	4.000	2.062

Operating Limits:

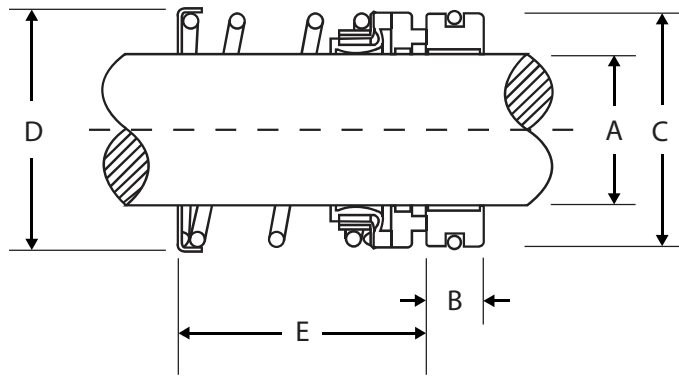
Pressure = 230 psi
Speed = 3000 f/m

Technical Features:

Single seal
Unbalanced
Single spring

Bi-directional
Elastomer bellows
Equivalent to competitors' type 21,
and type C

TYPE 21 A



SHAFT DIAMETER	SEAT THICKNESS	SEAT OD	SEAL HEAD OD	OPERATING HEIGHT
0.375	0.312	0.875	0.915	0.812
0.500	0.312	1.000	0.915	0.812
0.625	0.406	1.250	1.158	0.875
0.750	0.406	1.375	1.302	0.875
0.875	0.406	1.500	1.425	0.937
1.000	0.437	1.625	1.562	1.002
1.125	0.437	1.750	1.740	1.062
1.250	0.437	1.875	1.189	1.062
1.375	0.437	2.000	2.005	1.125
1.500	0.437	2.125	2.130	1.125
1.625	0.500	2.375	2.407	1.375
1.750	0.500	2.500	2.401	1.375
1.875	0.500	2.625	2.504	1.500
2.000	0.500	2.750	2.603	1.500

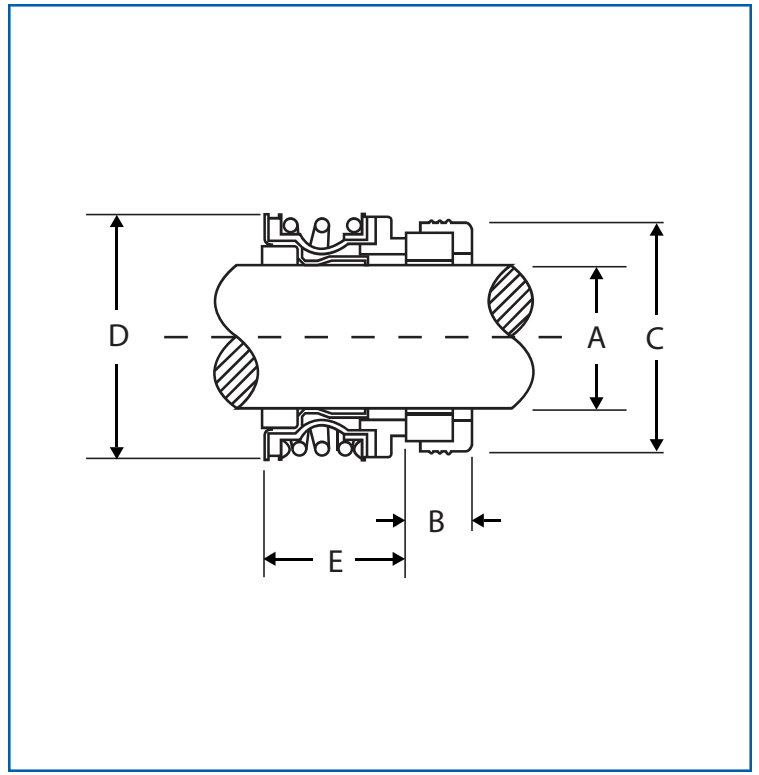
Operating Limits:

Pressure = 230 psi
Speed = 3000 f/m

Technical Features:

Single seal Bi-directional
Unbalanced Elastomer bellows
Single spring Equivalent to competitors' type 21

TYPE 6



SHAFT DIAMETER	SEAT THICKNESS	SEAT OD	SEAL HEAD OD	OPERATING HEIGHT
0.500	0.312	1.000	1.062	0.656
0.625	0.406	1.250	1.218	0.718
0.750	0.406	1.375	1.343	0.718
1.000	0.437	1.625	1.687	0.812

Operating Limits:

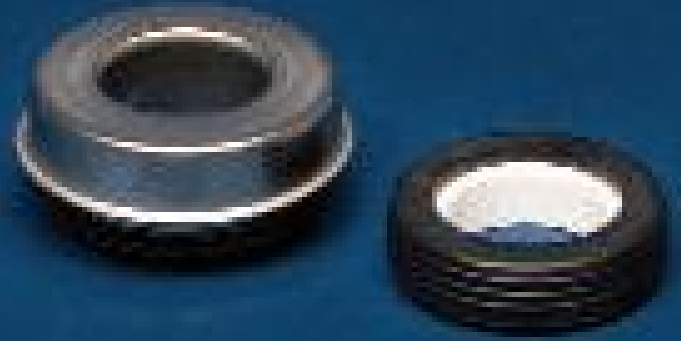
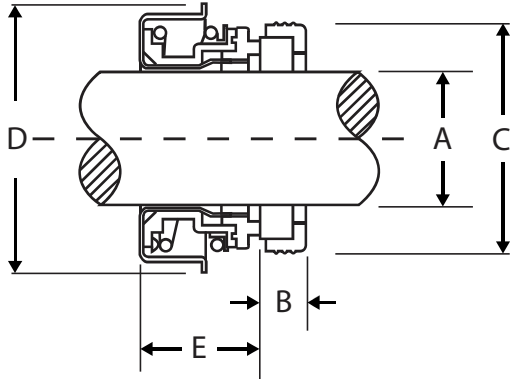
Pressure = 115 psi
Speed = 3000 f/m

Technical Features:

Single seal
Unbalanced
Single spring

Bi-directional
Elastomer bellows
Equivalent to competitors' type 6,
type 16 and type A

TYPE 6 A



**SHAFT
DIAMETER**

**SEAT
THICKNESS**

SEAT OD

**SEAL HEAD
OD**

**OPERATING
HEIGHT**

0.500	0.312	1.000	1.125	0.537
0.625	0.406	1.250	1.437	0.615
0.750	0.406	1.375	1.575	0.615
1.000	0.437	1.625	1.625	0.875

Operating Limits:

**Pressure = 60 psi
Speed = 2000 f/m**

Technical Features:

**Single seal
Unbalanced
Single spring**

**Bi-directional
Elastomer bellows
Equivalent to competitors' type 6A,
type 68 and type B**

AVAILABLE NON STANDARD SPRINGS

TYPE 21 SPECIAL

0.500 S 0.718
 0.625 T 0.937
 0.625 L 1.312
 0.750 L 1.312
 1.000 T 1.000
 1.125 T 1.062
 1.250 T 1.062
 1.250 L 1.625
 1.500 T 1.125
 1.500 L 1.687
 1.625 L 2.000
 1.750 L 2.000
 2.000 L 2.125

TYPE 1 SPECIAL

1.125 S 1.187

TYPE 6 SPECIAL

0.625 L 0.811

L = LONG
 S = SHORT
 T = TAPERED

STOCK SEATS

SIZE	HEIGHT	OD	MATERIALS	TYPE	ELAS
0.375	0.312	0.875	R,N,S,T	2	B,V,E
0.375	0.235	0.875	R,N,S,T	1	B,V
0.437	0.240	1.175	R	1	B
0.500	0.312	1.000	R,N,S,T	1, 2	B,V,E
0.500	0.225	0.938	R	1	B, V
0.500	0.290	1.000	N	1	B
0.500	0.218	1.000	R	1	B
0.625	0.406	1.250	R,N,S,T	1, 2	B,V,E
0.625	0.562	1.375	R	1	B,V
0.625	0.343	1.187	R,N,T	1	B,V
0.625	0.343	1.187	R	2	B,V
0.625	0.288	1.187	R,N	1	B,V
0.625	0.312	1.156	R	1	B,V
0.625	0.406	1.093	R	1	V
0.625	0.406	1.375	N	2	B, V
0.625	0.406	1.375	R	1	B, V
0.625	0.312	1.437	R	2	B, V
0.625	0.280	1.437	R	1	B
0.750	0.406	1.375	R,N,S,T	1, 2	B,V,E
0.750	0.406	1.437	R	1	B,V

R = CERAMIC
 N = NIRELIST
 S = SILICON
 T = TUNGSTEN
 1 = CUP
 2 = ORING
 11 = SHAFT MOUNT
 9 = SHAFT MOUNT
 B = BUNA (NBR)
 V = VITON
 E = EPR

STOCK SEATS

SIZE	HEIGHT	OD	MATERIALS	TYPE	ELAS
0.750	0.281	1.275	R	1	B,V
0.750	0.406	1.312	R	1	B
0.875	0.406	1.500	R,N,S,T	1, 2	B,V,E
0.875	0.265	1.437	R,N	1	B,V
1.000	0.437	1.625	R,N,S,T	1, 2	B,V,E
1.000	0.437	1.600	T	1	V
1.000	0.312	1.625	N	2	B
1.000	0.437	1.750	R	1	B
1.125	0.437	1.750	R,N,S,T	1, 2	B,V,E
1.250	0.437	1.875	R,N,S,T	1, 2	B,V,E
1.250	0.365	1.750	R,N,S,T	1	B,V,E
1.250	0.437	2.000	R	1, 2	B, V
1.250	0.437	2.000	S	2	B, V
1.375	0.437	2.000	R,N,S,T	1, 2	B,V,E
1.375	0.437	2.125	R	1	B
1.500	0.437	2.125	R,N,S,T	1, 2	B,V,E
1.500	0.437	2.250	R	2	B,V
1.500	0.437	2.250	R	1	B
1.500	0.437	2.312	R,N	2	B,V
1.625	0.500	2.375	R,N,S,T	1, 2	B,V,E
1.625	0.500	2.625	R,N	2	B, V
1.625	0.500	2.312	N	1	B
1.750	0.500	2.500	R,N,S,T	1, 2	B,V,E
1.750	0.500	2.625	R	1	B
1.875	0.500	2.625	R,N,S,T	1, 2	B,V,E
2.000	0.500	2.750	R,N,S,T	1, 2	B,V,E
2.125	0.562	3.000	R,N,S,T	1, 2	B,V,E
2.125	0.562	2.875	R,N	2	B,V
2.250	0.562	3.125	R,N,S,T	1, 2	B,V,E
2.375	0.562	3.250	R,N,S,T	1, 2	B,V,E
2.500	0.562	3.375	R,N,S,T	1, 2	B,V,E
2.625	0.625	3.375	R,N,S,T	1, 2	B,V,E
2.750	0.625	3.500	R,N,S,T	1, 2	B,V,E
2.875	0.625	3.750	R,N,S,T	1, 2	B,V,E
3.000	0.625	3.875	R,N,S,T	1, 2	B,V,E
3.000	0.625	4.000	R	2	B

R = CERAMIC
 N = NIRELIST
 S = SILICON
 T = TUNGSTEN
 1 = CUP
 2 = ORING
 11 = SHAFT MOUNT
 9 = SHAFT MOUNT
 B = BUNA (NBR)
 V = VITON
 E = EPR

NOTES

WARRANTY POLICY – Berliss Bearing Company (hereinafter referred to as Seller) warrants the goods sold hereunder to be free from defects in material and workmanship under normal use and service not arising from misuse, negligence, or accident, including but not limited to the use installation, and transportation of goods by Buyer, its agents, servants, employees or its carriers or transportation agents. Seller's obligations under this warranty are limited to remedying any deficiencies in the goods at such places in the United States of America or Livingston, NJ as may be designated by Seller. The warranty shall pertain to any part of parts of any goods to which Buyer has, within 90 days following delivery of such goods to Buyer or its nominees of the carrier, as the case may be, given written notice of claimed defects to Seller. Buyer shall be required to furnish Seller with adequate and sufficient details of such defects and this warranty shall be effective as to such goods which Seller's examination shall promptly thereafter be returned to Seller or its nominees. This warranty is expressly in lieu of all other warranties expressed or implied included the warranties of mechanability and fitness. In no event shall the Seller be liable to the Buyer or to any other person for any loss of damage, direct or indirect, arising out of or caused by the use of operation of the goods, or for the loss of profits, business, or good will. Seller shall in no event be liable to any person or firm (including any assignee of Buyer and its successors.)

The information contained in this catalog is intended for use by persons with technical skill at their own discretion and risk. Use of this information is the customer's responsibility; Berliss Bearing Company's sole responsibility or liability is contained in the Warranty Statement above.

Although the data in this catalog has been carefully compiled to make the information as complete as possible, Berliss Bearing Company assumes no liability to any company or person for any damage, direct or indirect to property or person, based on information contained in this publication.