

Rexnord® Addax® Composite Cooling Tower Couplings | Catalog



Rexnord® Addax® Composite Cooling Tower Coupling

Coupling Tower Coupling Solutions

Rexnord Industries, LLC, pioneered and introduced the first advanced composite couplings to the cooling tower industry in 1987. With over 50,000 Rexnord® Addax® composite couplings installed on every continent around the world over the past 20 years, Rexnord has the most experience of any composite cooling tower manufacturer.

The Rexnord® Addax® Composite Cooling Tower Coupling delivers “Best-In-Class Value” for the cooling tower industry by providing excellent features such as:

- Corrosion resistance
- High misalignment capacity
- Excellent fatigue resistance
- Low Weight
- Ease of installation

Choose a Rexnord® Addax® Composite Coupling as YOUR cooling tower coupling if you are currently using a steel coupling or an alternative composite coupling.

Service & Support

Rexnord is the largest coupling manufacturer in the world and has the most comprehensive global sales and customer service team in the industry. Rexnord associates are experts in cooling tower coupling applications and are available to assist you 24/7 if an emergency arises.

Lead Time

Virtually every cooling tower coupling installation has unique coupling dimension, therefore all Rexnord® Addax coupling assemblies are “made to order” per customer supplied dimensions. Even though each Rexnord® Addax coupling is made to your specifications, Rexnord provides the absolute *BEST standard lead time* in the cooling tower industry — 2 weeks after receipt of order. As an added benefit, Rexnord offers an exclusive emergency expediting option that includes:

- Same Day shipment
- 3-Day shipments
- 5-Day shipments

Quality

Our associates are continually improving our products by applying *Lean Manufacturing and Six Sigma methodology* to add increased value to our products. Upon request, a certificate of material, certificate of balance, and certificate of conformity can be provided for every Rexnord® Addax® coupling.

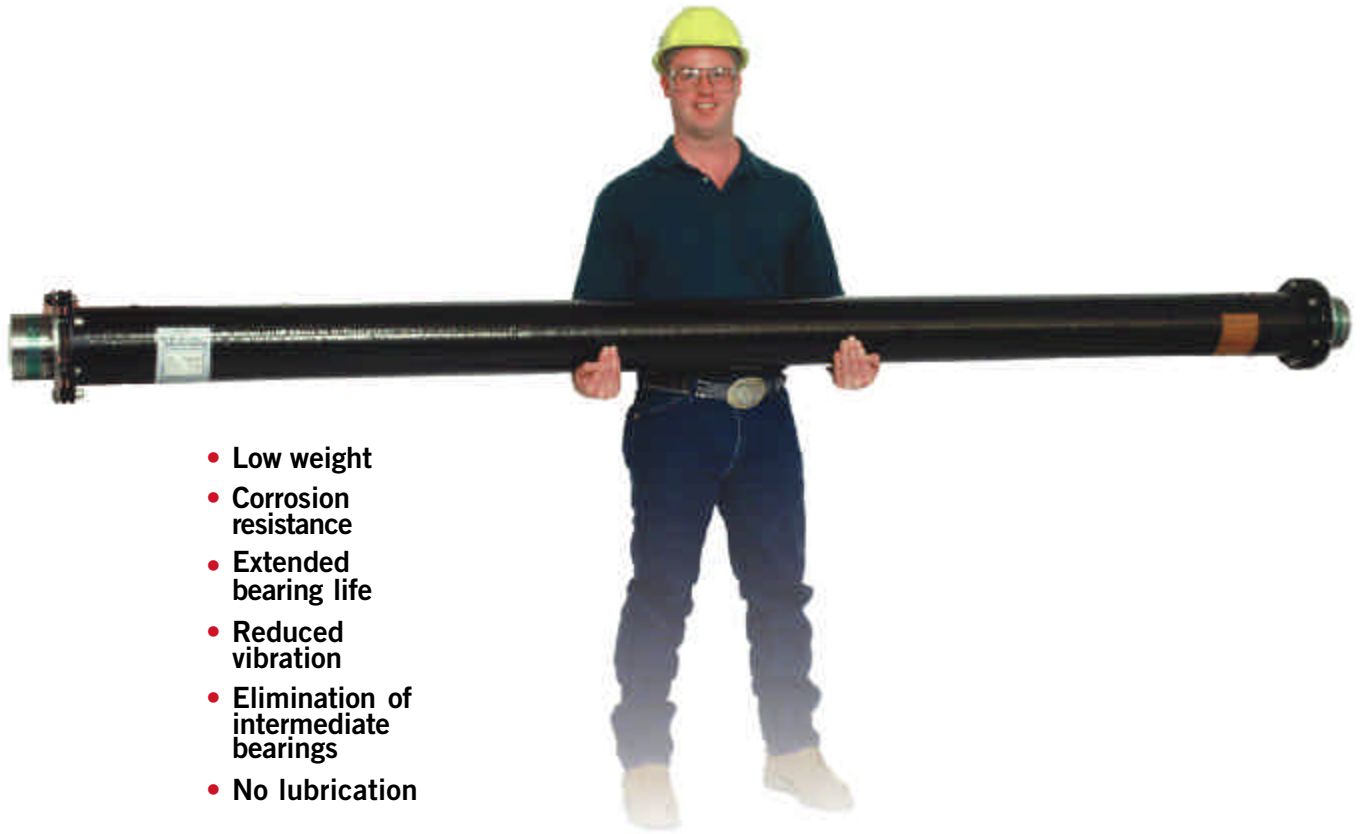
Price

The Rexnord® Addax® Composite Cooling Tower Coupling is the most inexpensive product of its kind, while providing the most comprehensive list of product features and benefits. Combine the price and product features with Rexnord’s dedicated associates who provide an unprecedented level of service and support, and you will agree that the Rexnord® Addax® Coupling delivers the *Best value!*

Why choose a Rexnord® Addax® Composite Cooling Tower over the alternatives?

Features, Functions, Benefits of Rexnord® Addax® Cooling Tower Coupling		
Features	Functions	Benefits
<i>Low Weight</i>	Reduced Mass Reduce Bearing Loads Reduce Inertia	Simplified Installation Increase Bearing Life Reduce Vibration
<i>Corrosion Resistance</i>	Resist Chemical Attack	Extend Service Life Reduce Maintenance Increase Safety Low Cost of Ownership
<i>Low Coefficient of Thermal Expansion</i>	Dimensional Stability	Reduce Vibration Reduce Stresses Increase Operating Range
<i>Continuous Fiber Composite Spacer Flange</i>	Infinite Fatigue Life	Low Cost of Ownership
<i>Unitized Flex Element</i>	Eliminate Fretting Infinite Fatigue Life Simplified Installation	Low Cost of Ownership Longer Service Life Reduced Maintenance Increased Safety
<i>High Misalignment Capacity</i>	Reduced Equipment Stress Increase Life	Easier Installation Reduced Ownership Costs
<i>High Strength to Weight Ratio</i>	Increase Stiffness Higher Critical Speed	Eliminate Harmonics Eliminate Steady Bearings

Rexnord® Addax® Composite Center Section



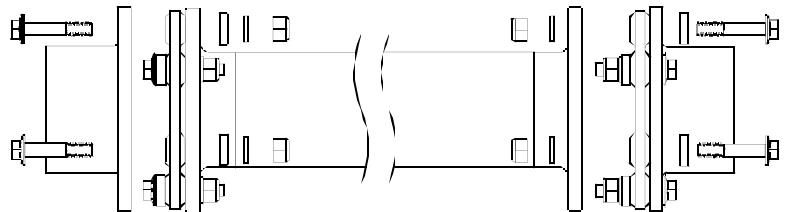
- **Low weight**
- **Corrosion resistance**
- **Extended bearing life**
- **Reduced vibration**
- **Elimination of intermediate bearings**
- **No lubrication**

The advanced composite full floating center section weighs less than 25% of a comparable steel spacer. But don't be fooled by the lighter weight. Rexnord® Addax® advanced composites are heavyweights when it comes to performance, due to their rugged, corrosion-resistant design. With almost twice the critical speed of metals, and up to an 80% reduction in overhung bearing loads, Rexnord® Addax® composite couplings reduce vibration and extend bearing life. Installation is made easier because there is no need for a crane to install most Rexnord® Addax® advanced composite coupling systems. Most cooling tower coupling assemblies weigh less than 100 pounds, so maintenance personnel can easily handle them.

The specific modulus of the composite material is 3.5 to 5 times that of steel alloys. This allows the composite spacers to span almost twice the distance of a comparable metal spacer without the need for intermediate bearings. The lower density and higher specific stiffness of composite materials make it practical to use larger cylinder diameters than would be feasible with steel.

A single length, 20-foot long composite drive shaft from a Rexnord® Addax® coupling may weigh 100 pounds while the steel counterpart would weigh about 500 pounds and be in two sections! Elimination of steady bearings means drastically reduced maintenance requirements, at lower cost of ownership and increased reliability.

Standard corrosion resistance exceeds that of 216ss; or Rexnord® Addax® associates can formulate corrosion resistance for specific conditions. Additional ultra-violet light protection is provided by a carbon black additive.



Rexnord® Addax® Patented Composite Flexible Element

This patented Rexnord® Addax® flexible element was developed to withstand harsh conditions and high-misalignment problems found in cooling towers. This flexible element is a unitized disc constructed of

- **High-strength composite**
- **Designed for severe conditions**
- **One-degree misalignment per flexible element**
- **Exceptional service life**
- **No fretting and corrosion effects**

advanced composite material and stainless steel bushings. All flex elements are encapsulated in urethane for ease of handling, appearance, and to prevent fretting and corrosion.

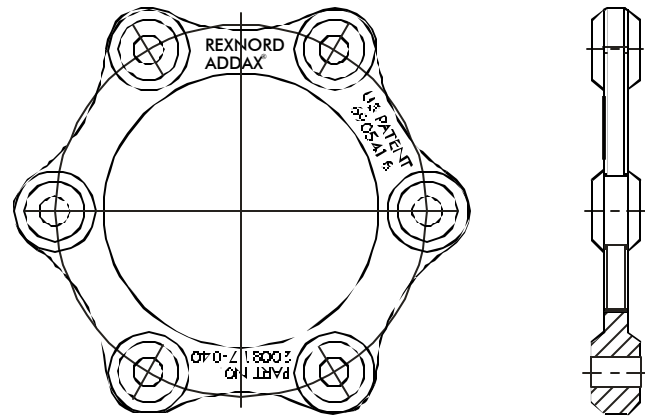
The exceptional physical and mechanical properties of continuous fiber provides high misalignment capacity and long service life.

Rexnord® Addax® flexible elements provide infinite fatigue life and simplified installation.

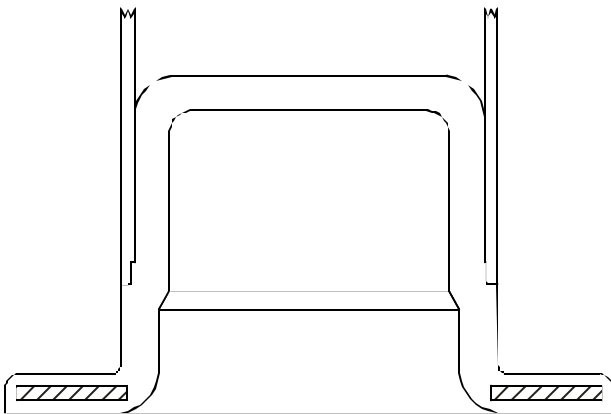
Fretting and stress crack corrosion — the leading contributors to metal disc pack failure — are completely eliminated along with the multitude of parts required for assembly. Maintenance costs are dramatically reduced and installation is greatly simplified. Rexnord® Addax® flexible elements provide years of trouble-free operation, even under the most demanding conditions.

Rexnord® Addax® elements are offered in a number of sizes with different torque ratings. Each torque rating is based on static and dynamic tests to provide an infinite fatigue life at rated torque and misalignment.

The flexible element is the only component of the coupling system that experiences alternating loading in which fatigue becomes a factor. The strength of graphite/epoxy remains well over 100,000 psi through infinite cycles. Therefore, the Rexnord® Addax® flexible element has theoretical infinite fatigue life under rated operating conditions.



Rexnord® Addax® Patented Continuous Fiber Composite Flange



Patent No. 5724715.

The Rexnord® Addax® coupling flange is an integral component of the Rexnord® Addax® coupling. This patented component transfers torque from the flexible element to the long span composite tube. It is a

low-mass, all composite structure fabricated from continuous fiber material. There is no metal in it at all. The fiber angle path has been optimized for carrying torque and minimizing stress through the flange. This design offers supreme fatigue strength for cooling tower operation. It also offers extraordinary corrosion resistance in a chlorine rich cooling tower environment.

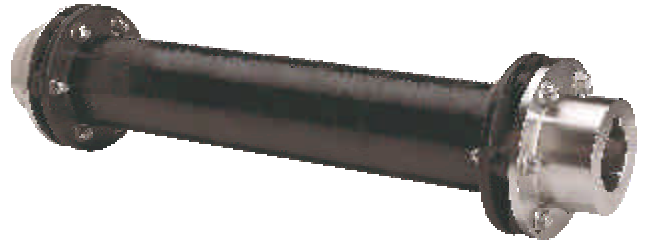
One of the design features is a high fiber volume composite reinforcing ring (cross hatched area) designed integral into the flange area. This ring provides additional strength and stiffness in the bolt joint area. This strength in the flange provides the highest integrity for the bolt circle attaching and centering the flexible element.

Other manufacturers fabricate this flange from random fiber glass and do not have the fatigue strength of the Addax coupling flange. A random fiber flange does not have the reinforcing ring and is prone to fatigue failure in the grueling cooling tower duty applications. The Rexnord® Addax® coupling flange is continuous fiber and fatigue tested to demonstrate superior strength.

Rexnord® Addax® Coupling Catalog

Table of Contents

Features, Functions, and Benefits	2
Composite Center Section	3
Patented Composite Flexible Element	4
Patented Continuous Fiber Spacer Flange	4
Warranty Information	5
Balance specification	5
General and Engineering Dimensions	6
Blade Pass Frequency Information	7
Models & Dimensions	8
Cooling Tower Backstop	9
Cooling Tower Coupling Application Data Sheet	10



Rexnord® Addax® Coupling

Standard construction consists of a flanged composite spacer, patented composite flexible elements, 316 Stainless Steel hubs and 316 Stainless Steel hardware. K-500 Monel hardware are available upon request to suit corrosive environments.

Standard Balance

All couplings are dynamically balanced to meet ANSI/AGMA 9000-C90 (R96), Class 9 specifications.

WARRANTY

Seller warrants that its products (i) conform to Seller's published specifications, and (ii) are free from defects in material or workmanship for one year from the date of shipment. Specific products may have a warranty period greater than one year. Please refer to the appropriate document and to Seller's website for the specific warranty. If Buyer discovers a failure of any product to conform to these warranties within this period, it must promptly notify Seller in writing. Seller will attempt to repair such non-conforming product at no charge to the Buyer. If Seller is unable to repair the product to conform to these warranties after a reasonable number of attempts, or if Seller determines at any time that repair is impracticable, it will provide, at its own discretion, one of the following: (i) replacement product, or (ii) a full refund of that portion of the purchase price allocable to the non-conforming product. These remedies are the exclusive remedies for breach of warranty.

WHAT IS NOT COVERED BY THIS WARRANTY

No representative of Seller has any authority to waive, alter, vary, or add to the terms hereof of without prior approval in writing, signed by an officer of our company. It is expressly agreed that the entire warranty given to the Purchaser is embodied in this writing. Company does not warrant any defects in, damage to, or failure of products caused by: (i) dynamic vibrations imposed by the drive system in which such products are installed unless the nature of such vibrations has been defined and accepted in writing by Company as a condition of operation, (ii) failure to provide suitable installation environment, (iii) use for purposes other than those for which designed, or other abuse or misuse, (iv) unauthorized attachments, modifications or disassembly, or (v) mishandling during shipping. Buyer's care in selection, adequate testing at time of installation and proper installation, proper operation and maintenance of all Products are required for adequate performance.

DISCLAIMER OF WARRANTY:

THE FORGOING WARRANTIES ARE IN LIEU OF ALL OTHER WARRANTIES, EXPRESS OR IMPLIED, INCLUDING BUT NOT LIMITED TO THE IMPLIED WARRANTIES OF MERCHANTABILITY AND FITNESS FOR A PARTICULAR PURPOSE. IN NO EVENT SHALL COMPANY BE LIABLE IN TORT OR CONTRACT OR UNDER ANY OTHER LEGAL OR EQUITABLE THEORY OF LAW FOR ANY INCIDENTAL, SPECIAL, INDIRECT, OR CONSEQUENTIAL DAMAGES.



General and Engineering Dimensions ★

MODEL SERIES	Spacer & Flange Material *	Max DBSE @ 1780 rpm @ 1.15 SF	Max DBSE @ 1480 rpm @ 1.15 SF	Max Bore		A	B		C		D	Min DBSE	Min Bore
				Standard ■	Oversized		Standard	Oversized	Standard ■	Oversized			
350.275	F A R	95 / 2413 107 / 2718 114 / 2896	106 / 2692 119 / 3023 126 / 3200	2.13 / 55	2.38 / 65	5.25 133	3.06 / 78	4.00 / 102	1.81 / 46	2.6 / 66	2.75 / 70	5.4 137	0.63 16
375.275	F A R	95 / 2413 107 / 2718 114 / 2896	106 / 2692 119 / 3023 126 / 3200	2.13 / 55	2.38 / 65	5.25 133	3.06 / 78	4.00 / 102	1.81 / 46	2.6 / 66	2.75 / 70	5.4 137	
450.275	F A R X	95 / 2413 107 / 2718 114 / 2896 128 / 3251	106 / 2692 119 / 3023 126 / 3200 141 / 3581	2.13 / 55	2.88 / 75	5.25 133	3.15 / 80	4.00 / 102	1.81 / 46	2.63 / 67	2.75 / 70	5.4 137	
485.338	F A R	100 / 2540 116 / 2946 127 / 3226	113 / 2870 127 / 3226 140 / 3556	2.63 / 70	3.38 / 85	6.00 152	3.72 / 94	4.75 / 121	2.50 / 64	2.75 / 70	3.38 / 86	8.0 203	
485.425	R X	141 / 3581 154 / 3912	154 / 3912 169 / 4293								4.25 / 108	8.0 203	
485.625	R	170 / 4318	189 / 4800								6.25 / 159	9.5 / 241	
650.425	A R X	133 / 3378 141 / 3581 154 / 3912	148 / 3759 154 / 3912 169 / 4293	3.00 / 80	3.88 / 100	6.75 171	4.25 / 108	5.25 / 133	2.56 / 65	2.75 / 70	4.25 / 108	6 152	
650.625	R X	170 / 4318 186 / 4725	189 / 4800 208 / 5283								6.25 / 159	9.5 241	
650.825	R X	193 / 4902 209 / 5309	215 / 5461 232 / 5893								8.25 / 210		
850.625	A R X	157 / 3988 170 / 4318 186 / 4725	172 / 4369 189 / 4800 208 / 5283	a) 3.13 / 75 b) 4.13 / 105	5.06 / 130	9.0 229	5.8 / 147	7.5 / 191	a) 2.51 / 64 b) 3.31 / 84.1	2.50 / 64	6.25 / 159	14.2 361	
850.825	R X	193 / 4902 209 / 5309	215 / 5461 232 / 5893								8.25 / 210		
850.1025	X	229 / 5817	253 / 6426								10.25 / 260		
850.1275	X	245 / 6223	275 / 6985								12.75 / 324		
Units of Measure	US	in	in	in	in	in	in	in	in	in	in	in	in
	SI	mm	mm	mm	mm	mm	mm	mm	mm	mm	mm	mm	mm

■ 850 series couplings may use either of two standard hub styles.

MODEL SERIES	Spacer & Flange Material *	Weight @ Min DBSE	WR ² @ Min DBSE ●	Weight Change per Length	WR ² Change per Length ●	Continuous Torque @ 1.0 SF	Continuous Torque @ 2.0 SF	Peak Overload Torque
350.275	F A R	13.8 / 6.2	32 / 0.0093	0.07 / 1.5 0.06 / 1.2 0.06 / 1.1	0.13 / 0.0015 0.11 / 0.0013 0.10 / 0.0012	3,617 408	1,808 204	5,425 613
375.275	F A R	13.8 / 6.2	32 / 0.0093	0.07 / 1.5 0.06 / 1.2 0.06 / 1.1	0.13 / 0.0015 0.11 / 0.0013 0.10 / 0.0012	5,311 600	2,660 300	7,967 900
450.275	F A R X	12.9 / 5.9	32 / 0.0092	0.07 / 1.5 0.06 / 1.2 0.06 / 1.1 0.06 / 1.2	0.13 / 0.0015 0.11 / 0.0013 0.10 / 0.0012 0.10 / 0.0012	7,250 820	3,625 410	10,875 1229
485.338	F A R	23.4 / 10.6	47 / 0.014	0.09 / 1.8 0.08 / 1.5 0.07 / 1.4	0.24 / 0.0029 0.21 / 0.0024 0.19 / 0.22	11,000 1243	5,500 621	16,500 1864
485.425	R X	24.0 / 10.9	74 / .022	0.09 / 1.7 0.09 / 1.8	0.38 / 0.0044 0.39 / 0.0045			
485.625	R	26.5 / 12.0	92 / 0.027	0.13 / 2.6	1.2 / 0.015			
650.425	A R X	31.5 / 14.3	122 / 0.036	0.10 / 1.9 0.089 / 1.7 0.092 / 1.8	0.42 / 0.0049 0.38 / 0.0044 0.39 / 0.005	18,100 2045	9,050 1022	27,150 3067
650.625	R X	34.4 / 15.6	141 / 0.041	0.13 / 2.6 0.14 / 2.7	1.2 / 0.014 1.3 / 0.015			
650.825	R X	37.9 / 17.2	194 / 0.056	0.18 / 3.4 0.18 / 3.6	2.9 / 0.033 3.0 / 0.035			
850.625	A R X	63.6 / 28.8	440 / 0.130	0.15 / 2.9 0.13 / 2.6 0.14 / 2.7	1.4 / 0.016 1.2 / 0.014 1.3 / 0.015	36,200 4090	18,100 2045	54,300 6135
850.825	R X	68.5 / 31.0	512 / 0.15	0.18 / 3.4 0.18 / 3.6	2.9 / 0.033 3.0 / 0.035			
850.1025	X	74.8 / 33.9	657 / 0.19	0.23 / 4.4	5.8 / 0.067			
850.1275	X	78.4 / 35.6	768 / 0.22	0.28 / 5.5	11.3 / 0.13			
Units of Measure	US	lb	lb-in ²	lb/in	lb-in ² /in	in-lb	in-lb	in-lb
	SI	kg	kg-m ²	kg/m	kg-m ² /m	Nm	Nm	Nm

★ All dimensional values are subject to change without notice.

* F=Fiberglass; A=Amalgamation; R=Standard Carbon Fiber; X=Special Carbon Fiber.

● The standard weight and WR² values are at minimum DBSE and standard minimum bore for a complete assembly. To determine the total weight or inertia, subtract the minimum DBSE from the total DBSE required and multiply that value times the WT and/or WR² change per length then add that calculated WT or WR² to the minimum DBSE values. Values may vary slightly depending on the actual bore and key size.

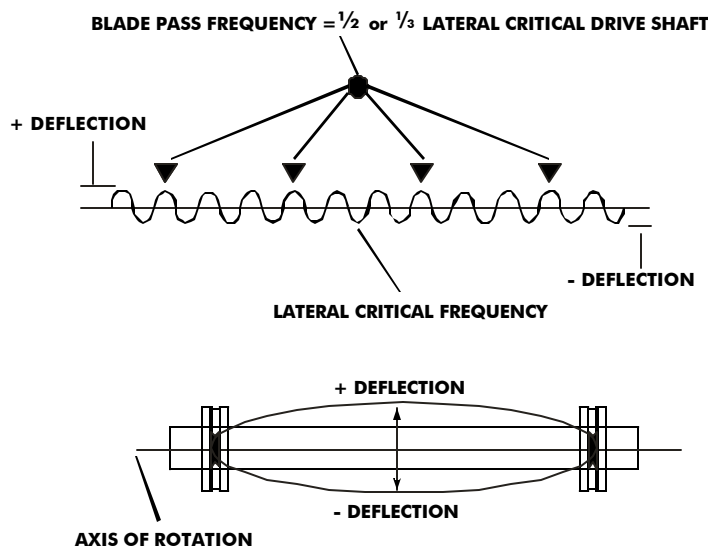
Engineering Data

Drive Shaft Vibration Caused by Blade Pass Frequency (BPF)

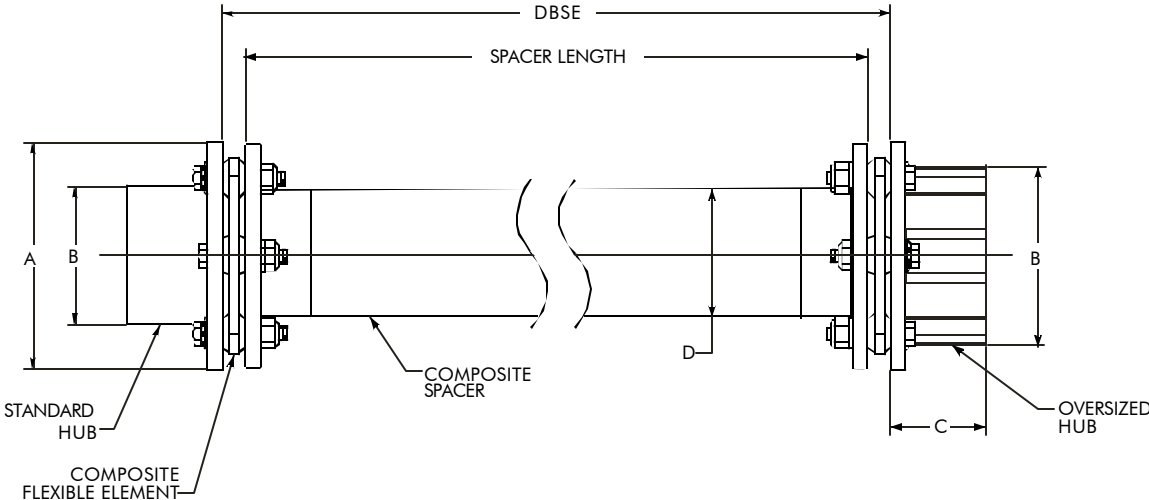
Lateral Natural Frequency (LNF) relates to beam stiffness and mass of the composite coupling. All beams have a natural frequency. The Rexnord® Addax® driveshaft is a long slender beam that has a LNF commonly referred to as critical speed. Critical speed of the shaft is calculated in SelectC 2007 and is supplied to our customers. Blade pass frequency (BPF) is the number of blades multiplied by the fan speed. Fan blades in a cooling tower induce a forcing frequency caused by pressure pulsations on adjacent components including the drive shaft.

Blade pass vibration is caused by pressure pulsations on the drive shaft when the shaft's natural frequency is coincident with the fan blade pass frequency. When the drive shaft is experiencing a blade pass harmonic, sometimes it can be seen bouncing out of plane. This shaft vibration usually manifests itself in the motor and gearbox. Shaft natural frequency and blade pass frequency must be designed 8% away to have assurance there is no overlap. Rexnord® Addax® shafts exhibit minimal vibration contributing to the overall spectrum. Additionally, gear mesh frequency can be heard resonating from the drive shaft, however this is typically at a much higher frequency magnitude than blade pass frequency.

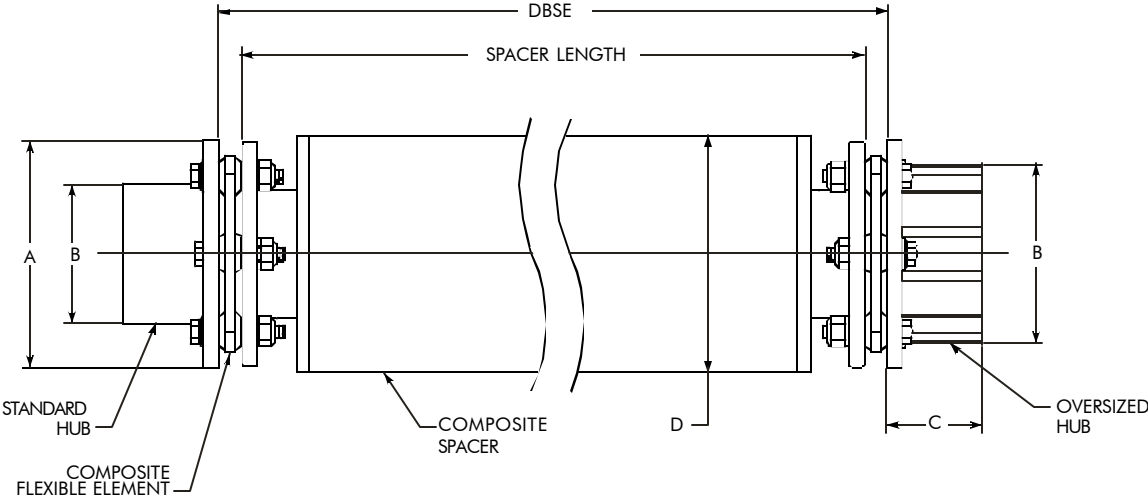
The Cooling Technology Institute (CTI) recommends a 1.3 factor - critical speed over operating speed. The 1.3 factor was established prior to composite shafts when only steel drive shafts were used. Steel shafting is massive, deflects from thermal growth, less predictable and potentially dangerous when approaching critical speed. Composite shafts are less than 1/3 the mass of a steel and dimensionally stable. As composite shafts offer 1/3 less mass the deflection magnitude is significantly less than steel and safe when approaching critical speed. Rigorous testing has proven that a 1.3 margin is not required for composite shafting and a 1.15 margin is adequate. Each Rexnord® Addax® shaft size and material was tested and manufacturing variability accounts for less than ±3% of the variability in the shaft's LNF. It is not recommended to use a 1.15 safety factor when purchasing shafts from other manufacturers because they may have excessive mfg variability. Manufacturing variability of the Rexnord® Addax® shaft accounts for less than ±3% of the variability in the shaft's LNF. These facts demonstrate that a 15% safety margin over operating speed is adequate for safe drive shaft service.



Rexnord® Addax® Composite Couplings

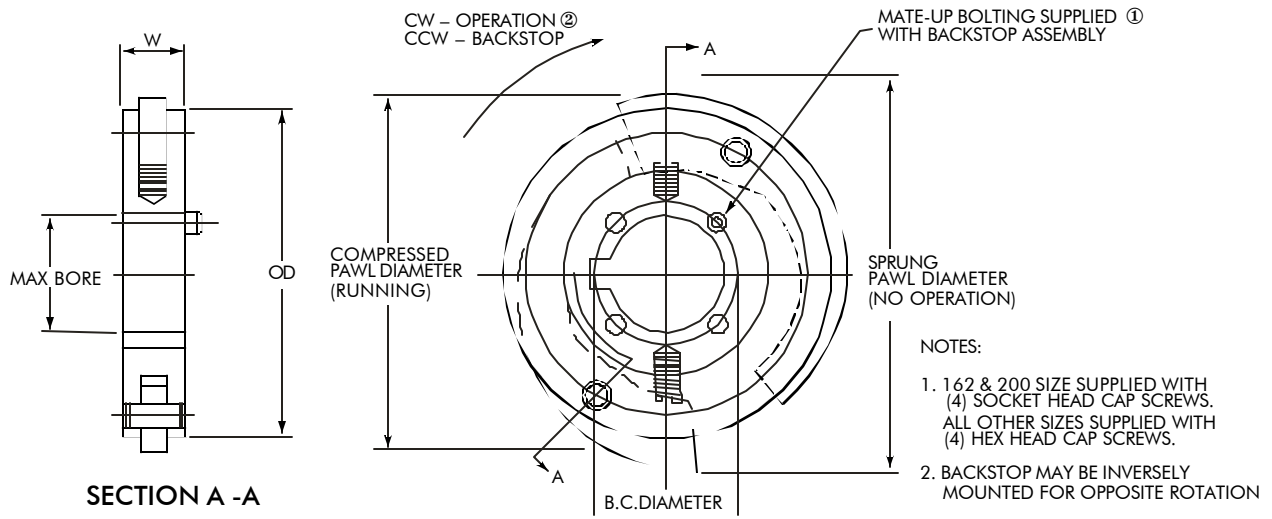


Models: 350.275, 375.275, 450.275, 485.338, 650.425, 850.625



Models: 485.425, 650.625, 650.825, 850.825, 850.1025, 850.1275

Rexnord® Cooling Tower Backstop



Bolt-On Backstop Tabulation

MODEL	Mating Hub Backstop Bolting Information			OD	W (Ref)	Pawl Diameter (Ref)		Compressed Speed (rpm Ref)
	B. C. Diameter	Hole Diameter	Tightening Torque			Compressed	Sprung	
350/375/450	3.500	.3125	40 in-lb	9 ¹ / ₁₆	1 ¹ / ₈	9 ³ / ₁₆	10 ⁹ / ₁₆	400 rpm Ref
485	4.063	.3125	142 in-lb					
650	4.625	.3750	225 in-lb					
850	4.875	.5000	350 in-lb					

Rexnord® Addax® Cooling Tower Couplings

Cooling Tower Coupling Application Data Sheet

Quote/Job Number: _____ Date: _____

Customer: _____ Location: _____

DBSE: _____ Quantity: _____

(Distance Between Shaft Ends is defined as the length measured between the face of the gear box input shaft and the face of the motor shaft to within ± 0.10 inches (± 2.5 mm)).

Motor Data:

HorsePower: _____

RPM: _____

NEMA or IEC Frame Size: _____

Motor Shaft Diameter: _____

Key Size: _____

Two Speed? Yes No High Speed: _____ Low Speed: _____

Variable Speed: Yes No Max Speed: _____ Min Speed: _____

Gear Reducer Date:

Reduction Ratio: _____

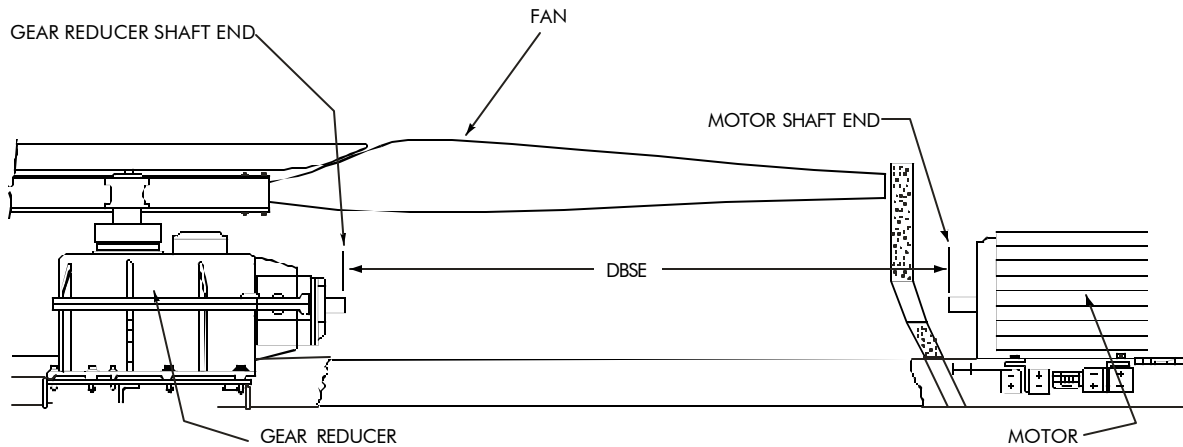
Input Shaft Diameter: _____

Key Size: _____

Fan Data:

Number of Blades: _____

Fan RPM: _____



NOTES

World Class Customer Service

For more than 100 years, the dedicated people of Rexnord have delivered excellence in quality and service to our customers around the globe. Rexnord is a trusted name when it comes to providing skillfully engineered products that improve productivity and efficiency for industrial applications worldwide. We are committed to exceeding customer expectations in every area of our business: product design, application engineering, operations, and customer service.

Because of our customer focus, we are able to thoroughly understand the needs of your business and have the resources available to work closely with you to reduce maintenance costs, eliminate redundant inventories and prevent equipment down time.

Rexnord represents the most comprehensive portfolio of power transmission and conveying components in the world with the brands you know and trust.

Rexnord and Addax are registered trademarks of Rexnord Industries, LLC. All rights reserved.

WORLDWIDE CUSTOMER SERVICE

AUSTRALIA

Rexnord Australia Pty. Ltd.
Picton, New South Wales
Phone: 61-2-4677-3811
Fax: 61-2-4677-3812

Falk-Rexnord Australia Pty Ltd
Broadmeadow NSW Australia
Phone: 61-2-4962-8000
Fax: 61-2-4962-8001

BRAZIL

Rexnord Correntes Ltda.
Sao Leopoldo - RS
Phone: 55-51-579-8022
Fax: 55-51-579-8029

CANADA

Rexnord Canada Ltd.
Scarborough, Ontario
Phone: 1-416-297-6868
Fax: 1-416-297-6873

CHINA

Rexnord China
Shanghai, China
Phone: 86-21-62701942
Fax: 86-21-62701943

EUROPE

Rexnord NV/SA
Mechelen, Belgium
Phone: 32-15-443811
Fax: 32-15-443860
Rexnord Kette GmbH
Betzdorf, Germany
Phone: 49-2741-2840
Fax: 49-2741-284-385

LATIN AMERICA

Rexnord International, Inc.
Milwaukee, Wisconsin
Phone: 1-414-643-2366
Fax: 1-414-643-3222
E-mail:
international2@rexnord.com

MEXICO

Rexnord S A De C V
Mexico DF, Mexico
Phone: 52-55-9140-3500
Fax: 52-55-9140-3550

SINGAPORE

Rexnord International, Inc.
Singapore City, Singapore
Phone: 65-6338-5622
Fax: 65-6338-5422

UNITED STATES

Customer Service
Phone: 1-866-REXNORD
(1-866-739-6673)
Fax: 1-614-675-1898
E-mail: rexnordcs(state)@rexnord.com
Example: rexnordcsohio@rexnord.com

ALL COUNTRIES NOT LISTED

Rexnord International
Milwaukee, Wisconsin
Phone: 1-414-643-2366
Fax: 1-414-643-3222
E-mail: international1@rexnord.com

