

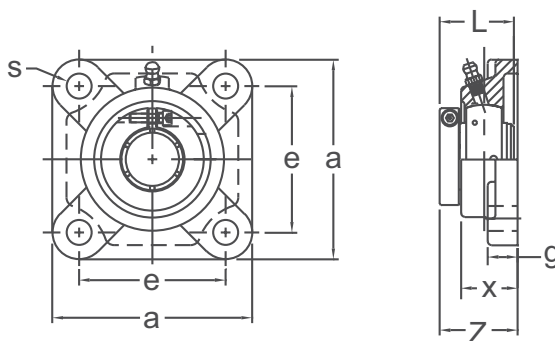


ACCU-LOC® FOUR-BOLT FLANGE UNITS

UEF 200

NORMAL DUTY

Concentric Locking
52100 Bearing Steel
w/Black Oxide Finish
Cast Iron Housing
Insert detail-pg.133
Inch Sizes Only



Shaft Diam. (in.)	AMI Unit #	List Price	Dimensions (in.)							Bolt Size (in.)	Bearing #	Housing #	Weight (lb.)
			a	e	g	x	s	Z	L				
3/4	UEF204-12	73.00	3-3/8	2-1/2	15/32	1	7/16	1.390	1.299	3/8	UE204-12	F204	1.46
7/8	UEF205-14	76.10	3-3/4	2-3/4	9/16	1-1/16	15/32	1.461	1.394	7/16	UE205-14	F205	2.01
15/16	UEF205-15										UE205-15		
1	UEF205-16										UE205-16		
1-1/8	UEF206-18	99.80	4-1/4	3-1/4	9/16	1-7/32	15/32	1.650	1.567	7/16	UE206-18	F206	2.64
1-3/16	UEF206-19										UE206-19		
1-1/4	UEF206-20										UE206-20		
1-1/4	UEF207-20	130.10	4-5/8	3-5/8	5/8	1-11/32	17/32	1.787	1.728	1/2	UE207-20	F207	3.64
1-3/8	UEF207-22										UE207-22		
1-7/16	UEF207-23										UE207-23		
1-1/2	UEF208-24	135.90	5-1/8	4	5/8	1-13/32	17/32	2.055	1.976	1/2	UEF208-24	F208	4.74
1-11/16	UEF209-27	153.40	5-3/8	4-1/8	23/32	1-1/2	19/32	2.094	1.976	9/16	UE209-27	F209	5.68
1-3/4	UEF209-28										UE209-28		
1-15/16	UEF210-31	172.50	5-5/8	4-3/8	23/32	1-9/16	19/32	2.189	2.071	9/16	UE210-31	F210	6.13
2	UEF210-32										UE210-32		
2	UEF211-32	200.70	6-3/8	5-1/8	25/32	1-11/16	21/32	2.338	2.228	5/8	UE211-32	F211	8.35
2-3/16	UEF211-35										UE211-35		
2-7/16	UEF212-39										UE212-39		
Dimensions (mm)													
20	UEF204	73.00	86	64	12	25.4	11	35.3	33.0		UE204	F204	1.48
25	UEF205	76.40	95	70	14	27	12	37.1	35.4	M10	UE205	F205	2.03
30	UEF206	101.30	108	83	14	31	12	41.9	39.8		UE206	F206	2.67
35	UEF207	129.30	117	92	16	34	13.5	45.4	43.9	M12	UE207	F207	3.68
40	UEF208	137.40	130	102	16	36	13.5	52.2	50.2	M12	UE208	F208	4.79
45	UEF209	157.60	137	105	18	38	15	53.2	50.2	M14	UE209	F209	5.74
50	UEF210	176.50	143	111	18	40	15	55.6	52.6	M14	UE210	F210	6.20
55	UEF211	221.90	162	130	20	43	17	59.4	56.6	M16	UE211	F211	8.44
60	UEF212	248.00	175	143	20	48	17	70.2	66.6	M16	UE212	F212	11.64

Lubrication fitting tap size for 1" and smaller shaft sizes, 1/4-28 UNF; for all other sizes, 1/8-27 NPT

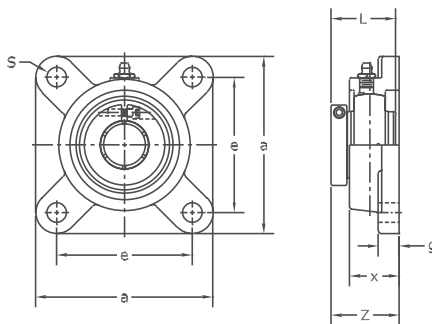
INTERCHANGES: VF4B F4B-DL KFC4-45 SF-T



ACCU-LOC® 4 BOLT FLANGE UNIT

UEFX 00

Concentric Locking
52100 Bearing Steel
w/Black Oxide Finish
Cast Iron Housing
Insert detail-pg.133
Inch Sizes Only



Shaft Diam. (in.)	AMI Unit #	List Price	Dimensions (in.)							Bolt Size	Bearing #	Housing #	Weight (lb.)
			a	e	g	x	s	Z	L				
1	UEFX05-16	221.50	4-1/4	3-1/4	1/2	1-3/16	15/32	1-41/64	1-35/64	7/16	UEX05-16	FX05	2.90
1-3/16	UEFX06-19	259.85	4-5/8	3-5/8	9/16	1-11/32	17/32	1-13/16	1-3/4	1/2	UEX06-19	FX06	3.68
1-1/4	UEFX06-20										UE207-20		3.70
1-7/16	UEFX07-23	291.90	5-1/8	4	9/16	1-1/2	17/32	2-1/16	1-31/32	1/2	UEX07-23	FX07	4.76
1-1/2	UEFX08-24	319.90	5-3/8	4-1/8	9/16	1-9/16	19/32	2-3/32	1-31/32	9/16	UEX08-24	FX08	5.90
1-11/16	UEFX09-27	379.35	5-5/8	4-3/8	9/16	1-9/16	19/32	2-15/64	2-5/64	9/16	UEX09-27	FX09	6.79
1-3/4	UEFX09-28										UEX09-28		6.69
1-15/16	UEFX10-31	427.50	6-3/8	5-1/8	25/32	1-3/4	21/32	2-3/8	2-15/64	5/8	UEX10-31	FX10	9.23
2	UEFX10-32										UE211-32		9.12
2-3/16	UEFX11-35	496.55	6-7/8	5-5/8	25/32	1-15/16	21/32	2-3/4	2-39/64	5/8	UEX11-35	FX11	11.37

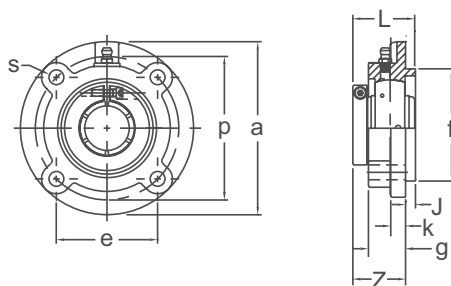
Lubrication fitting tap size 1/8-27 NPT

INTERCHANGES: MSF-T / VF4B-3 / F4B-SCM / KFC455



ACCU-LOC® PILOTED FLANGE CARTRIDGE UNITS

UEFCSX 00



SealMaster® Style

Shaft Diam. (in.)	AMI Unit #	List Price	Dimensions (in.)									Bolt Size	Bearing #	Housing #	Weight (lb.)
			a	p	s	J	k	g	f	Z	L				
1	UEFCSX05-16	231.15	4-3/8	3-5/8	3/8	1/4	23/64	15/16	3	1-5/16	1-35/64	5/16	UEX05-16	FCSX05	2.56
1-3/16	UEFCSX06-19	274.40	5	4-1/8	15/32	3/8	25/64	7/8	3.375	1-3/8	1-3/4	3/8	UEX06-19	FCSX06	3.40
1-1/4	UEFCSX06-20												UE207-20		3.42
1-7/16	UEFCSX07-23	300.00	5-1/4	4-3/8	15/32	7/16	7/16	1-1/32	3.625	1-37/64	1-31/32	3/8	UEX07-23	FCSX07	4.34
1-1/2	UEFCSX08-24	333.85	5-1/4	4-3/8	15/32	7/16	7/16	1-1/32	3.625	1-37/64	1-31/32	3/8	UEX08-24	FCX08	4.22
1-1/2	UEFCMX08-24	333.85	6-1/8	5-1/8	17/32	15/32	29/64	7/8	4.250	1-29/64	1-31/32	1/2	UEX08-24	FCF209	5.68
1-11/16	UEFCSX09-27	383.60	6-1/8	5-1/8	35/64	15/32	7/16	1	4.250	1-41/64	2-5/64	1/2	UEX09-27	FCSX09	5.73
1-3/4	UEFCSX09-28												UEX09-28		5.63
1-15/16	UEFCSX10-31	459.40	6-3/8	5-3/8	35/64	5/8	7/16	1	4.500	1-5/8	2-15/64	1/2	UEX10-31	FCSX10	6.57
2	UEFCSX10-32												UE211-32		6.46
2-3/16	UEFCSX11-35	519.80	7-1/8	6	5/8	7/8	1/2	1-1/32	5.000	1-49/64	2-39/64	1/2	UEX11-35	FCSX11	9.15

Lubrication fitting tap size 1/8-27 NPT

INTERCHANGES: MFC-T / VFCB-3 / FC-DLM/ PFC455

MEDIUM DUTY