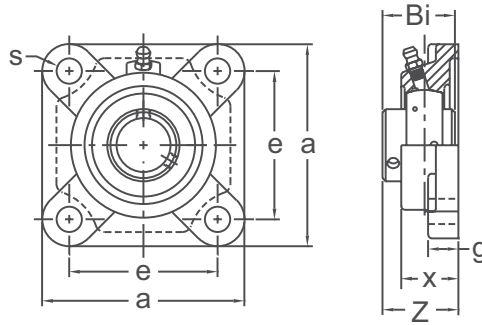




NORMAL DUTY



Eccentric Locking
Narrow Inner Ring
Cast Iron Housing
Insert Detail-pg.121-122
Covers Available-pg.60
Inch and Metric

Shaft Diam. (in.)	AMI Unit #	List Price	Dimensions (in.)							Bolt Size (in.)	Bearing #	Housing #	Weight (lb.)
			a	e	g	x	s	Z	L				
1/2	KHLF201-8	43.20	3	2-1/8	3/8	1-3/32	13/32	1.528	1-1/8	3/8	KH201-8 KH202-10	LF3	1.15
5/8	KHLF202-10												1.12
3/4	KHF204-12	43.20	3-3/8	2-1/2	15/32	1	7/16	1.516	1-7/32	3/8	KH204-12	F204	1.30
7/8	KHF205-14	47.10	3-3/4	2-3/4	9/16	1-1/16	15/32	1.555	1-7/32	7/16	KH205-14 KH205-15 KH205-16	F205	1.83
15/16	KHF205-15												
1	KHF205-16												
1-1/8	KHF206-18	66.45	4-1/4	3-1/4	9/16	1-7/32	15/32	1.760	1-13/32	7/16	KH206-18 KH206-19 KH206-20	F206	2.42
1-3/16	KHF206-19												
1-1/4	KHF206-20												
1-1/4	KHF207-20	80.00	4-5/8	3-5/8	5/8	1-11/32	17/32	1.906	1-17/32	1/2	KH207-20 KH207-21 KH207-22 KH207-23	F207	3.33
1-5/16	KHF207-21												
1-3/8	KHF207-22												
1-7/16	KHF207-23												
1-1/2	KHF208-24	91.20	5-1/8	4	5/8	1-13/32	17/32	2.114	1-23/32	1/2	KH208-24	F208	4.41
1-5/8	KHF209-26	103.65	5-3/8	4-1/8	23/32	1-1/2	19/32	2.154	1-23/32	9/16	KH209-26 KH209-27 KH209-28	F209	5.24
1-11/16	KHF209-27												
1-3/4	KHF209-28												
1-7/8	KHF210-30	119.40	5-5/8	4-3/8	23/32	1-9/16	19/32	2.154	1-23/32	9/16	KH210-30 KH210-31	F210	5.44
1-15/16	KHF210-31												
2	KHF211-32	160.10	6-3/8	5-1/8	25/32	1-11/16	21/32	2.429	1-29/32	5/8	KH211-32 KH211-34 KH211-35	F211	7.29
2-1/8	KHF211-34												
2-3/16	KHF211-35												
Dimensions (mm)													
12	KHLF201	43.20	76.2	54.0	9.5	27.8	10.3	38.8	28.6	M8	KH201 KH202 KH203	LF3	1.16
15	KHLF202												1.12
17	KHLF203												1.10
20	KHF204	43.20	86	64	12	25.4	11	38.5	31	M10	KH204 KH205 KH206	F204 F205 F206	1.30
25	KHF205	47.10	95	70	14	27	12	39.5	31				1.83
30	KHF206	66.45	108	83	14	31	12	44.7	35.7				2.42
35	KHF207	80.00	117	92	16	34	13.5	48.4	38.9	M12	KH207	F207	3.33
40	KHF208	91.20	130	102	16	36	13.5	53.7	43.7	M12	KH208	F208	4.41
45	KHF209	103.65	137	105	18	38	15	54.7	43.7	M14	KH209	F209	5.24
50	KHF210	119.40	143	111	18	40	15	54.7	43.7	M14	KH210	F210	5.44
55	KHF211	160.10	162	130	20	43	17	61.7	48.7	M16	KH211	F211	7.29

Lubrication fitting tap size for 1" and smaller shaft sizes, 1/4-28 UNF; for all other sizes, 1/8-27 NPT

INTERCHANGES: VF4E-1 F4B-SXV VCJ F3W-U FY-FM AELF VF-E FB220

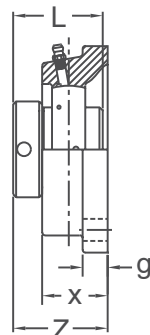
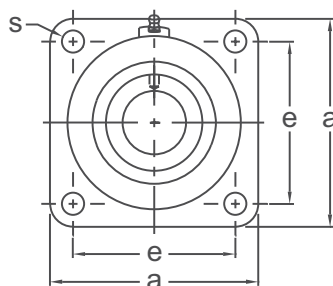


FOUR-BOLT FLANGE UNITS

UGSLF 200

NORMAL DUTY

**Eccentric Locking
Wide Inner Ring
Cast Iron Housing
Insert Detail-pg.1124
Inch and Metric**



Fafnir® Style

Shaft Diam. (in.)	AMI Unit #	List Price	Dimensions (in.)							Bolt Size (in.)	Bearing #	Housing #	Weight (lb.)
			a	e	g	x	s	Z	L				
1/2	UGSLF201-8	54.80	3	2-1/8	3/8	1-3/32	29/64	1-37/64	1-15/32	3/8	UGW201-8	SLF203	1.21
5/8	UGSLF202-10										UGW202-10		
3/4	UGSLF204-12	54.80	3-3/8	2-1/2	3/8	1-5/16	29/64	1-55/64	1-23/32	3/8	UG204-12	SLF204	1.51
7/8	UGSLF205-14	62.60	3-3/4	2-3/4	7/16	1-3/8	29/64	1-57/64	1-3/4	7/16	UG205-14	SLF205	1.98
15/16	UGSLF205-15										UG205-15		
1	UGSLF205-16										UG205-16		
1-1/8	UGSLF206-18	77.90	4-1/4	3-1/4	1/2	1-15/32	29/64	2-5/64	1-29/32	7/16	UG206-18	SLF206	2.87
1-3/16	UGSLF206-19										UG206-19		
1-1/4	UGSLF206-20										UG206-20		
1-1/4	UGSLF207-20	95.20	4-5/8	3-5/8	1/2	1-1/2	35/64	2-5/32	2-1/64	1/2	UG207-20	SLF207	3.75
1-5/16	UGSLF207-21										UG207-21		
1-3/8	UGSLF207-22										UG207-22		
1-7/16	UGSLF207-23										UG207-23		
1-1/2	UGSLF208-24	107.90	5-1/8	4	5/8	1-5/8	35/64	2-11/32	2-7/32	1/2	UG208-24	SLF208	4.96
1-9/16	*UGSLF208-25										UG208-25		
1-5/8	UGSLF209-26	116.80	5-3/8	4-1/8	5/8	1-21/32	35/64	2-11/32	2-7/32	1/2	UG209-26	SLF209	5.51
1-11/16	UGSLF209-27										UG209-27		
1-3/4	UGSLF209-28										UG209-28		
1-7/8	UGSLF210-30	150.60	5-5/8	4-3/8	5/8	1-13/16	45/64	2-19/32	2-15/32	5/8	UG210-30	SLF210	6.28
1-15/16	UGSLF210-31										UG210-31		
2	UGSLF210-32										UG210-32		
2	UGSLF211-32	197.00	6-3/8	5-1/8	11/16	1-31/32	45/64	2-15/16	2-13/16	5/8	UG211-32	SLF211	8.93
2-1/8	UGSLF211-34										UG211-34		
2-3/16	UGSLF211-35										UG211-35		
2-1/4	UGSLF212-36	244.20	6-7/8	5-5/8	11/16	2-5/32	45/64	3-3/16	3-1/16	5/8	UG212-36	SLF212	11.25
2-3/8	UGSLF212-38										UG212-38		
2-7/16	UGSLF212-39										UG212-39		
Dimensions (mm)													
20	UGSLF204	54.80	86	63.5	9.5	33	11.5	47.3	43.7	M10	UG204	SLF204	1.51
25	UGSLF205	62.60	95	70	11	35	11.5	48.0	44.4		UG205	SLF205	1.98
30	UGSLF206	77.90	108	82.5	13	37	11.5	52.8	48.4		UG206	SLF206	2.87
35	UGSLF207	95.20	117	92	13	38	14	54.8	51.1	M12	UG207	SLF207	3.75
40	UGSLF208	107.90	130	101.5	16	41	14	59.5	56.3		UG208	SLF208	4.96
45	UGSLF209	116.80	137	105	16	42	14	59.5	56.3		UG209	SLF209	5.51
50	UGSLF210	150.60	143	111	16	46	18	65.9	62.7	M16	UG210	SLF210	6.28
55	UGSLF211	197.00	162	130	18	50	18	74.6	71.4		UG211	SLF211	8.93
60	UGSLF212	244.20	175	143	18	55	18	81.0	77.8		UG212	SLF212	11.25

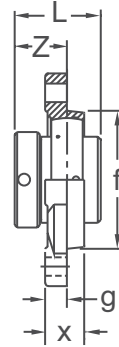
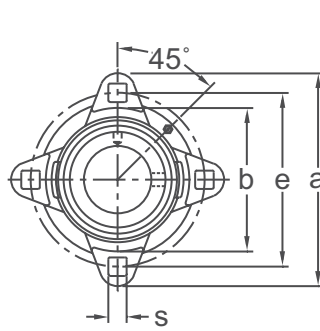
*Consult factory for availability

Lubrication fitting tap size for 1" and smaller shaft sizes, 1/4-28 UNF; for all other sizes, 1/8-27 NPT

INTERCHANGES: VF4E-2 F4B-SXR RCJ NANF FB220W F3Y-N FY-WF UELF RF-E



Eccentric Locking
Wide Inner Ring
Malleable Cast Housing
Insert Detail-pg.124
Inch and Metric



Shaft Diam. (mm)	AMI Unit #	List Price	Dimensions (in.)									Bolt Size (mm)	Bearing #	Housing #	Weight (lb.)	
			a	e	g	x	s	b	f	Z	L					
1-1/2 1-9/16	UGGFDR208-24 *UGGFDR208-25	145.00	5-25/32	4-11/16	5/8	1-7/64	0.512	3-55/64	3-17/32	1.378	2-7/32	1/2	UG208-24 UG208-25	GFDR208	3.04	
1-5/8 1-11/16 1-3/4	UGGFDR209-26 UGGFDR209-27 UGGFDR209-28	157.10	5-7/8	4-3/4	5/8	1-7/64	0.512	4-7/32	3-25/32	1.378	2-7/32	1/2	UG209-26 UG209-27 UG209-28	GFDR209	3.22	
35 40 45	UGGFDR210-30 UGGFDR210-31 UGGFDR210-32	191.00	6-7/64	5	5/8	1-7/64	0.512	4-29/64	3-31/32	1.496	2-15/32	1/2	UG210-30 UG210-31 UG210-32	GFDR210	3.68	
Dimensions (mm)																
40	UGGFDR208	145.00	147	119	16	28	13	98	89.7	35	56.3	M12	UG208	GFDR208	3.04	
45	UGGFDR209	157.10	149	120.5	16	28	13	107	96	35	56.3		UG209	GFDR209	3.22	
50	UGGFDR210	191.00	155	127	16	28	13	113	100.8	35	62.7		UG210	GFDR210	3.68	

*Consult factory for availability
Lubrication fitting tap size 1/4-28 UNF

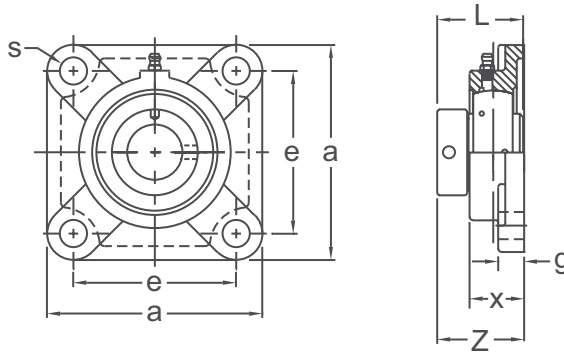
INTERCHANGES: GRFD GRFDR



FOUR-BOLT FLANGE UNITS

UGF 300

**Eccentric Locking
Wide Inner Ring
Cast Iron Housing
Insert detail-pg.135
Inch and Metric**

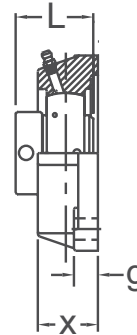
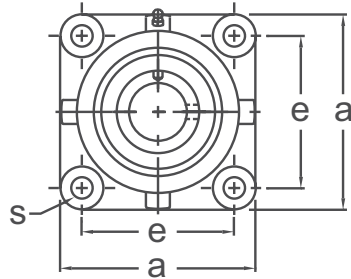


Shaft Diam (in.)	AMI Unit #	List Price	Dimensions (in.)							Bolt Size (in.)	Bearing #	Housing #	Weight (lb.)
			a	e	g	x	s	Z	L				
1-7/16	UGF307-23	209.10	5-5/16	3-15/16	5/8	1-13/32	3/4	2.098	2.031	5/8	UG307-23	F307	4.81
1-1/2	UGF308-24	316.50	5-7/8	4-13/32	21/32	1-9/16	3/4	2.374	2.248	5/8	UG308-24	F308	6.75
1-11/16	UGF309-27	338.10	6-5/16	4-59/64	23/32	1-23/32	3/4	2.515	2.311	5/8	UG309-27	F309	8.37
1-15/16	UGF310-31	398.00	6-7/8	5-13/64	3/4	1-7/8	29/32	2.755	2.622	3/4	UG310-31	F310	11.00
2-3/16	UGF311-35	494.50	7-5/16	5-33/64	25/32	2-1/16	29/32	2.961	2.874	3/4	UG311-35	F311	13.12
2-7/16	UGF312-39	555.15	7-11/16	5-29/32	7/8	2-7/32	29/32	3.205	3.126	3/4	UG312-39	F312	15.47
2-11/16	UGF314-43	818.70	8-7/8	7-1/64	1	2-13/32	63/64	3.701	3.626	7/8	UG314-43	F314	22.50
2-15/16	UGF315-47	861.85	9-5/16	7-1/4	1	2-19/32	63/64	4.003	3.937	7/8	UG315-47	F315	27.99
3	UGF315-48										UG315-48	F315	27.99
Dimensions (mm)													
45	UGF309	338.10	160	125	18	44	19	63.9	58.7	M16	UG309	F309	8.37
50	UGF310	398.00	175	132	19	48	23	70	66.6	M20	UG310	F310	11.00
55	UGF311	494.50	185	140	20	52	23	75.2	73.0	M20	UG311	F311	13.12
60	UGF312	555.15	195	150	22	56	23	81.4	79.4	M20	UG312	F312	15.47
70	UGF314	818.70	226	178	25	61	25	94	92.1	M22	UG314	F314	22.50
75	UGF315	861.85	236	184	25	66	25	101.7	100.0	M22	UG315	F315	27.99
90	UGF318	1246.70	280	216	30	76	35	116.3	115.9	M30	UG318	F318	45.30

Lubrication fitting tap size 1/8-27 NPT

INTERCHANGES: UELF3

HEAVY DUTY



Eccentric Locking
Wide Inner Ring
Cast Iron Housing
Insert detail-pg.135
Inch and Metric

HEAVY DUTY

Shaft Diam. (in.)	AMI Unit #	List Price	Dimensions (in.)						Bolt Size (in.)	Bearing #	Housing #	Weight (lb.)
			a	e	g	x	s	L				
1-7/16	UGCJO307-23	259.70	5-1/8	4	5/8	1-37/64	9/16	2.031	1/2	UG307-23	CJO307	5.32
1-1/2	UGCJO308-24	327.60	5-23/64	4-1/8	5/8	1-47/64	5/8	2.248	9/16	UG308-24	CJO308	6.46
1-11/16	UGCJO309-27	375.50	5-5/8	4-3/8	43/64	1-55/64	5/8	2.311	9/16	UG309-27	CJO309	7.76
1-15/16	UGCJO310-31	437.65	6-1/2	5-1/8	43/64	2-3/32	11/16	2.622	5/8	UG310-31	CJO310	11.04
2-3/16	UGCJO311-35	581.45	7	5-5/8	43/64	2-19/64	11/16	2.874	5/8	UG311-35	CJO311	13.98
2-7/16	UGCJO312-39	631.65	7-1/2	5-7/8	3/4	2-9/16	13/16	3.126	3/4	UG312-39	CJO312	15.97
2-11/16	UGCJO314-43	903.00	8-55/64	7	51/64	2-27/32	15/16	3.626	7/8	UG314-43	CJO314	26.28
2-15/16 3	UGCJO315-47 UGCJO315-48	942.80	9-1/4	7-1/4	7/8	3-5/64	15/16	3.937	7/8	UG315-47 UG315-48	CJO315	31.82
Dimensions (mm)												
45	UGCJO309	375.50	143	111.1	17	47	16.0	58.7	M14	UG309	CJO309	7.76
50	UGCJO310	437.65	165	130.2	17	53	17.5	66.6	M16	UG310	CJO310	11.04
55	UGCJO311	581.45	178	142.9	17	58	17.5	73.0	M16	UG311	CJO311	13.98
60	UGCJO312	631.65	190	149.2	19	65	20.5	79.4	M20	UG312	CJO312	15.97
70	UGCJO314	903.00	225	177.8	20	72	24.0	92.1	M22	UG314	CJO314	26.28
75	UGCJO315	942.80	235	184.2	22	78	24.0	100.0	M22	UG315	CJO315	31.82
90	UGCJO318	1507.70	281	215.9	28	84	27.0	115.9	M24	UG318	CJO318	49.74

Lubrication fitting tap size 1/8-27 NPT

INTERCHANGES: RCJO