

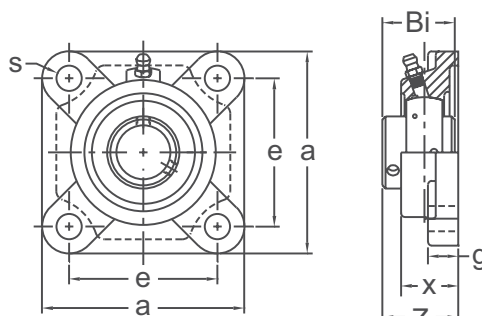


FOUR-BOLT FLANGE UNITS

UCLF / UCF 200

NORMAL DUTY

**Set-Screw Locking
Wide Inner Ring
Cast Iron Housing
Insert Detail-pg.121-122
Covers Available-pg.60
Inch and Metric**



Shaft Diam. (in.)	AMI Unit #	List Price	Dimensions (in.)							Bolt Size (in.)	Bearing #	Housing #	Weight (lb.)
			a	e	g	x	s	Z	Bi				
1/2	UCLF201-8	44.50	3	2-1/8	3/8	1-3/32	13/32	1.287	1.024	3/8	UCW201-8	LF3	1.15
9/16	UCLF202-9										UCW202-9		1.12
5/8	UCLF202-10										UCW202-10		1.12
11/16	UCLF203-11	44.50	3	2-1/8	3/8	1-3/32	13/32	1.287	1.024	3/8	UCW203-11	LF3	1.10
1/2	UCF201-8	44.50	3-3/8	2-1/2	15/32	1	7/16	1.311	1.220	3/8	UC201-8	F204	1.41
5/8	UCF202-10										UC202-10		1.37
11/16	UCF203-11										UC203-11		1.34
3/4	UCF204-12										UC204-12		1.30
7/8	UCF205-14	49.00	3-3/4	2-3/4	9/16	1-1/16	15/32	1.406	1.339	7/16	UC205-14	F205	1.81
15/16	UCF205-15										UC205-15		
1	UCF205-16										UC205-16		
1-1/16	UCF206-17	64.95	4-1/4	3-1/4	9/16	1-7/32	15/32	1.583	1.500	7/16	UC206-17	F206	2.42
1-1/8	UCF206-18										UC206-18		
1-3/16	UCF206-19										UC206-19		
1-1/4	UCF206-20										UC206-20		
1-1/4	UCF207-20	75.45	4-5/8	3-5/8	5/8	1-11/32	17/32	1.748	1.689	1/2	UC207-20	F207	3.31
1-5/16	UCF207-21										UC207-21		
1-3/8	UCF207-22										UC207-22		
1-7/16	UCF207-23										UC207-23		
1-1/2	UCF208-24	89.40	5-1/8	4	5/8	1-13/32	17/32	2.016	1.937	1/2	UC208-24	F208	4.41
1-9/16	UCF208-25										UC208-25		
1-5/8	UCF209-26										UC209-26		
1-11/16	UCF209-27	99.60	5-3/8	4-1/8	23/32	1-1/2	19/32	2.055	1.937	9/16	UC209-27	F209	5.29
1-3/4	UCF209-28										UC209-28		
1-7/8	UCF210-30	118.35	5-5/8	4-3/8	23/32	1-9/16	19/32	2.150	2.031	9/16	UC210-30	F210	5.51
1-15/16	UCF210-31										UC210-31		
2	UCF210-32										UC210-32		
2	UCF211-32	146.85	6-3/8	5-1/8	25/32	1-11/16	21/32	2.299	2.189	5/8	UC211-32	F211	7.49
2-1/8	UCF211-34										UC211-34		
2-3/16	UCF211-35										UC211-35		
2-1/4	UCF212-36	189.85	6-7/8	5-5/8	25/32	1-7/8	21/32	2.705	2.563	5/8	UC212-36	F212	10.14
2-3/8	UCF212-38										UC212-38		
2-7/16	UCF212-39										UC212-39		
2-1/2	UCF213-40	244.60	7-3/8	5-7/8	25/32	1-31/32	21/32	2.744	2.563	5/8	UC213-40	F213	12.12
2-11/16	UCF214-43	294.40	7-3/8	5-7/8	13/16	2-5/16	21/32	3.087	2.937	5/8	UC214-43	FX13	13.44
2-3/4	UCF214-44										UC214-44		
2-15/16	UCF215-47	399.10	7-3/4	6	15/16	2-3/8	25/32	3.209	3.063	3/4	UC215-47	FX14	15.21
3	UCF215-48										UC215-48		
3-1/4	UCF217-52	595.50	8-11/16	6-7/8	1-1/32	2-15/32	29/32	3.449	3.374	7/8	UC217-52	F217	20.50
3-7/16	UCF217-55										UC217-55		
3-1/2	UCF218-56	717.10	9-1/4	7-3/8	1-1/32	2-11/16	29/32	3.791	3.780	7/8	UC218-56	F218	24.91
Dimensions (mm)													
12	UCLF201	44.50	76	54	9.5	28	10.5	32.7	26	M8	UCW201	LF3	1.15
15	UCLF202										UCW202		1.12
17	UCLF203										UCW203		1.10
12	UCF201	44.50	86	64	12	25.4	11	33.3	31	M10	UC201	F204	1.43
15	UCF202										UC202		1.38
17	UCF203										UC203		1.36
20	UCF204	44.50	86	64	12	25.4	11	33.3	31	M10	UC204	F204	1.32
25	UCF205	49.00	95	70	14	27	12	35.7	34	M10	UC205	F205	1.83
30	UCF206	64.95	108	83	14	31	12	40.2	38.1	M10	UC206	F206	2.45
35	UCF207	75.45	117	92	16	34	13.5	44.4	42.9	M12	UC207	F207	3.35
40	UCF208	89.40	130	102	16	36	13.5	51.2	49.2	M12	UC208	F208	4.46
45	UCF209	99.60	137	105	18	38	15	52.2	49.2	M14	UC209	F209	5.35
50	UCF210	118.35	143	111	18	40	15	54.6	51.6	M14	UC210	F210	5.58
55	UCF211	146.85	162	130	20	43	17	58.4	55.6	M16	UC211	F211	7.58
60	UCF212	189.85	175	143	20	48	17	68.7	65.1	M16	UC212	F212	10.3
65	UCF213	244.60	187	149	20	50	17	69.7	65.1	M16	UC213	F213	12.3
70	UCF214	294.40	193	152	24	54	19	75.4	74.6	M16	UC214	F214	13.6
75	UCF215	399.10	200	159	24	56	19	78.5	77.8	M16	UC215	F215	15.4
80	UCF216	552.10	208	165	24	58	23	83.3	82.6	M20	UC216	F216	17.4
85	UCF217	595.50	220	175	26	63	23	87.6	85.7	M20	UC217	F217	20.8
90	UCF218	717.10	235	187	26	68	23	96.3	96	M20	UC218	F218	25.2

Lubrication fitting tap size for 1" and smaller shaft sizes, 1/4-28 UNF; for all other sizes, 1/8-27 NPT

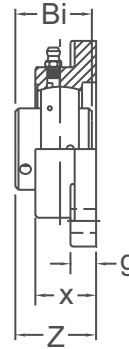
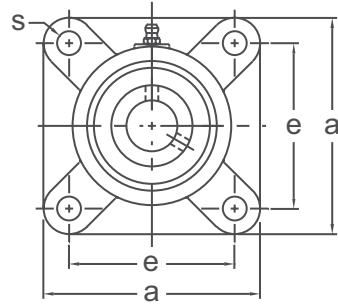
INTERCHANGES:	VF4S	F4B-SC	YCJ	F3U-N	FC4-25	FY-TF	UCF	SF
----------------------	-------------	---------------	------------	--------------	---------------	--------------	------------	-----------



FOUR-BOLT FLANGE UNITS

UCFX 00

Set-Screw Locking
Wide Inner Ring
Cast Iron Housing
Insert detail-pg.131
Inch and Metric



MEDIUM DUTY

Shaft Diam. (in.)	AMI Unit #	List Price	Dimensions (in.)							Bolt Size (in.)	Bearing #	Housing #	Weight (lb.)
			a	e	g	x	s	Z	Bi				
1	UCFX05-16	87.00	4-1/4	3-1/4	1/2	1-3/16	15/32	1.583	1.500	7/16	UCX05-16	FX05	2.42
1-1/8	UCFX06-18	101.70	4-5/8	3-5/8	9/16	1-11/32	17/32	1.748	1.689	1/2	UCX06-18	FX06	2.87
1-3/16	UCFX06-19												
1-1/4	UCFX06-20												
1-1/4	UCFX07-20	127.00	5-1/8	4	9/16	1-1/2	17/32	2.016	1.937	1/2	UCX07-20	FX07	3.97
1-3/8	UCFX07-22												
1-7/16	UCFX07-23												
1-1/2	UCFX08-24	152.00	5-3/8	4-1/8	9/16	1-9/16	19/32	2.055	1.937	9/16	UCX08-24	FX08	3.97
1-5/8	UCFX09-26	164.10	5-5/8	4-3/8	9/16	1-9/16	19/32	2.189	2.031	9/16	UCX09-26	FX09	5.29
1-11/16	UCFX09-27												
1-3/4	UCFX09-28												
1-7/8	UCFX10-30	197.00	6-3/8	5-1/8	25/32	1-3/4	21/32	2.339	2.189	5/8	UCX10-30	FX10	7.93
1-15/16	UCFX10-31												
2	UCFX10-32												
2	UCFX11-32	263.00	6-7/8	5-5/8	25/32	1-15/16	21/32	2.705	2.563	5/8	UCX11-32	FX11	9.92
2-3/16	UCFX11-35												
2-1/4	UCFX11-36												
2-3/8	UCFX12-38	315.10	7-3/8	5-7/8	13/16	2-5/16	21/32	2.902	2.563	5/8	UCX12-38	FX12	11.68
2-7/16	UCFX12-39												
2-1/2	UCFX13-40												
2-11/16	UCFX14-43	426.60	7-3/4	6	15/16	2-3/8	25/32	3.209	3.063	3/4	UCX14-43	FX14	16.97
2-3/4	UCFX14-44												
2-15/16	UCFX15-47												
3	UCFX15-48	484.80	7-3/4	6	15/16	2-11/16	25/32	3.516	3.252	3/4	UCX15-47	FX15	16.97
3-3/16	UCFX16-51	655.70	8-7/16	6-3/4	15/16	2-3/4	25/32	3.606	3.374	3/4	UCX16-51	FX16	22.48
3-1/4	UCFX17-52	702.00	8-7/16	6-3/4	15/16	2-3/4	25/32	3.791	3.780	3/4	UCX17-52	FX17	22.48
3-7/16	UCFX17-55												
3-1/2	UCFX18-56												
3-15/16	UCFX20-63	914.00	8-7/16	6-3/4	15/16	3	25/32	4.177	4.094	3/4	UCX18-56	FX18	23.36
4	UCFX20-64	1240.00	10-9/16	8-5/16	1-7/32	3-13/16	1-1/32	5.012	4.626	1	UCX20-63	FX20	37.03
Dimensions (mm)													
25	UCFX05	87.00	108	83	13	30	12	40.2	38.1	M10	UCX05	FX05	2.42
30	UCFX06	101.70	117	92	14	34	13.5	44.4	42.9	M12	UCX06	FX06	2.87
35	UCFX07	127.00	130	102	14	38	13.5	51.2	49.2	M12	UCX07	FX07	3.97
40	UCFX08	152.00	137	105	14	40	15	52.2	49.2	M14	UCX08	FX08	3.97
45	UCFX09	164.10	143	111	14	40	15	55.6	51.6	M14	UCX09	FX09	5.29
50	UCFX10	197.00	162	130	20	44	17	59.4	55.6	M16	UCX10	FX10	7.93
55	UCFX11	263.00	175	143	20	49	17	68.7	65.1	M16	UCX11	FX11	9.92
60	UCFX12	315.10	187	149	21	59	17	73.7	65.1		UCX12	FX12	11.68
65	UCFX13	360.20	187	149	21	59	17	78.4	74.6		UCX13	FX13	12.12
70	UCFX14	426.60	197	152	24	60	20	81.5	77.8	M18	UCX14	FX14	16.97
75	UCFX15	484.80	197	152	24	68	20	89.3	82.6		UCX15	FX15	16.97
80	UCFX16	655.70	214	171	24	70	20	91.6	85.7		UCX16	FX16	22.48
85	UCFX17	702.00	214	171	24	70	20	96.3	96	M18	UCX17	FX17	22.48
90	UCFX18	914.00	214	171	24	76	20	106.1	104	M18	UCX18	FX18	23.36
100	UCFX20	1240.00	268	211	31	97	26	127.3	117.5	M24	UCX20	FX20	37.03

Lubrication fitting tap size 1/8-27 NPT

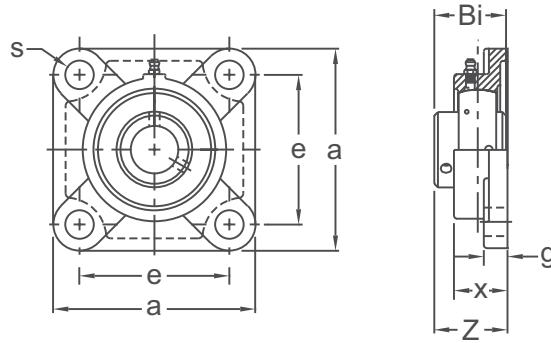
INTERCHANGES: VF4S-3 F4B-SCM TCJM FC4-35 FYM-TF UCFX MSF



FOUR-BOLT FLANGE UNITS

UCF 300

Set-Screw Locking
Wide Inner Ring
Cast Iron Housing
Insert detail-pg.134
Inch and Metric

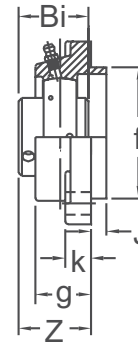
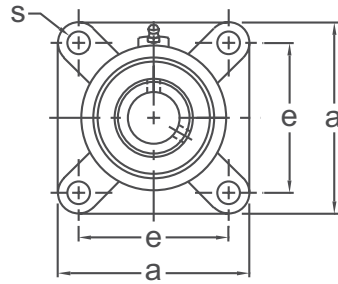


Shaft Diam. (in.)	AMI Unit #	List Price	Dimensions (in.)							Bolt Size (in.)	Bearing #	Housing #	Weight (lb.)
			a	e	g	x	s	Z	Bi				
1	UCF305-16	115.10	4-5/16	3-5/32	1/2	1-5/32	5/8	1.535	1.496	1/2	UC305-16	F305	2.64
1-3/16	UCF306-19	160.30	4-15/16	3-47/64	19/32	1-1/4	5/8	1.732	1.693	1/2	UC306-19	F306	3.75
1-1/4	UCF307-20	195.40	5-5/16	3-15/16	5/8	1-13/32	3/4	1.929	1.890	5/8	UC307-20	F307	4.63
1-7/16	UCF307-23										UC307-23	F307	
1-1/2	UCF308-24	227.40	5-7/8	4-13/32	21/32	1-9/16	3/4	2.205	2.047	5/8	UC308-24	F308	6.39
1-11/16	UCF309-27	281.70	6-5/16	4-59/64	23/32	1-23/32	3/4	2.362	2.244	5/8	UC309-27	F309	7.93
1-3/4	UCF309-28										UC309-28		
1-7/8	UCF310-30	335.80	6-7/8	5-13/64	3/4	1-7/8	29/32	2.638	2.402	3/4	UC310-30	F310	10.36
1-15/16	UCF310-31										UC310-31		
2	UCF311-32	449.60	7-5/16	5-33/64	25/32	2-1/16	29/32	2.795	2.598	3/4	UC311-32	F311	12.56
2-3/16	UCF311-35										UC311-35		
2-7/16	UCF312-39	550.10	7-11/16	5-29/32	7/8	2-7/32	29/32	3.071	2.795	3/4	UC312-39	F312	14.99
2-1/2	UCF313-40	580.10	8-3/16	6-17/32	7/8	2-9/32	29/32	3.071	2.953	3/4	UC313-40	F313	17.19
2-11/16	UCF314-43	700.50	8-7/8	7-1/64	1	2-13/32	63/64	3.189	3.071	7/8	UC314-43	F314	21.16
2-3/4	UCF314-44										UC314-44		
2-15/16	UCF315-47	869.80	9-5/16	7-1/4	1	2-19/32	63/64	3.504	3.228	7/8	UC315-47	F315	25.79
3	UCF315-48										UC315-48		
3-3/16	UCF316-51	988.60	9-13/16	7-23/32	1-1/16	2-11/16	1-7/32	3.543	3.386	1	UC316-51	F316	30.19
3-1/4	UCF317-52	1059.50	10-1/4	8-1/32	1-1/16	2-29/32	1-7/32	3.937	3.780	1	UC317-52	F317	33.50
3-7/16	UCF318-55	1777.85	11	8-1/2	1-3/16	3	1-3/8	3.937	3.780	1-1/8	UC318-55	F318	41.44
3-1/2	UCF318-56	1236.30									UC318-56		
3-3/4	UCF319-60	1372.60	11-13/32	8-31/32	1-3/16	3-11/16	1-3/8	4.764	4.055	1-1/8	UC319-60	F319	45.62
3-15/16	UCF320-63	1627.70	12-3/16	9-17/32	1-1/4	3-11/16	1-1/2	4.921	4.252	1-1/4	UC320-63	F320	54.66
4	UCF320-64										UC320-64		
4-7/16	UCF322-71	2195.10	13-3/8	10-1/2	1-3/8	3-25/32	1-5/8	5.157	4.606	1-3/8	UC322-71	F322	77.4
Dimensions (mm)													
25	UCF305	115.10	110	80	13	29	16	39	38	M14	UC305	F305	2.68
30	UCF306	160.30	125	95	15	32	16	44	43	M14	UC306	F306	3.79
35	UCF307	195.40	135	100	16	36	19	49	48	M16	UC307	F307	4.68
40	UCF308	227.40	150	112	17	40	19	56	52	M16	UC308	F308	6.47
45	UCF309	281.70	160	125	18	44	19	60	57	M16	UC309	F309	8.03
50	UCF310	335.80	175	132	19	48	23	67	61	M20	UC310	F310	10.5
55	UCF311	449.60	185	140	20	52	23	71	66	M20	UC311	F311	12.7
60	UCF312	550.10	195	150	22	56	23	78	71		UC312	F312	15.2
65	UCF313	580.10	208	166	22	58	23	78	75	M20	UC313	F313	17.4
70	UCF314	700.50	226	178	25	61	25	81	78	M22	UC314	F314	21.4
75	UCF315	869.80	236	184	25	66	25	89	82	M22	UC315	F315	26.1
80	UCF316	988.60	250	196	27	68	31	90	86	M27	UC316	F316	30.6
85	UCF317	1059.50	260	204	27	74	31	100	96	M27	UC317	F317	33.9
90	UCF318	1236.30	280	216	30	76	35	100	96	M30	UC318	F318	41.9
95	UCF319	1372.60	290	228	30	94	35	121	103	M30	UC319	F319	46.2
100	UCF320	1627.70	310	242	32	94	38	125	108	M36	UC320	F320	55.3
105	UCF321	1942.90	310	242	32	94	38	127	112		UC321	F321	57.1
110	UCF322	2195.10	340	266	35	96	41	131	117	M36	UC322	F322	77.4
120	UCF324	2844.10	370	290	40	110	41	140	126	M36	UC324	F324	105.3
130	UCF326	3732.80	410	320	45	115	41	146	135		UC326	F326	139.8
140	UCF328	4535.00	450	350	55	125	41	161	145		UC328	F328	194.0

Lubrication fitting tap size 1/8-27 NPT

INTERCHANGES: UCF3

HEAVY DUTY



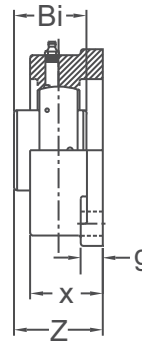
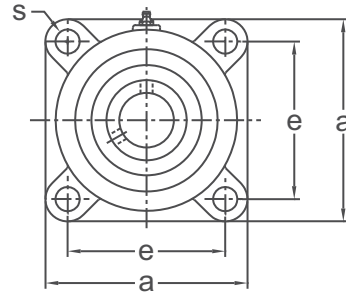
Set-Screw Locking
Wide Inner Ring
Cast Iron Housing
Insert detail-pg.134
Metric

HEAVY DUTY

Shaft Diam. (mm)	AMI Unit #	List Price	Dimensions (mm)									Bolt Size (mm)	Bearing #	Housing #	Weight (lb.)
			a	e	s	J	k	g	f	Z	Bi				
25	UCFS305	112.90	110	80	16	7	13	22	80	32	38	M14	UC305	FS305	3.12
30	UCFS306	144.50	125	95	16	8	15	24	90	36	43	M14	UC306	FS306	4.24
35	UCFS307	172.90	135	100	19	9	16	27	100	40	48	M16	UC307	FS307	5.35
40	UCFS308	212.90	150	112	19	10	17	30	115	46	52	M16	UC308	FS308	7.36
45	UCFS309	255.60	160	125	19	11	18	33	125	49	57	M16	UC309	FS309	8.92
50	UCFS310	306.00	175	132	23	12	19	36	140	55	61	M20	UC310	FS310	11.8
55	UCFS311	392.20	185	140	23	13	20	39	150	58	66		UC311	FS311	13.8
60	UCFS312	459.00	195	150	23	14	22	42	160	64	71	M20	UC312	FS312	16.5
65	UCFS313	535.00	208	166	23	18	22	40	175	60	75		UC313	FS313	19.2
70	UCFS314	625.80	226	178	25	18	25	43	185	63	78	M22	UC314	FS314	25.0
75	UCFS315	732.80	236	184	25	18	25	48	200	71	82	M22	UC315	FS315	28.3
80	UCFS316	872.60	250	196	31	20	27	48	210	70	86	M27	UC316	FS316	31.9
85	UCFS317	1089.70	260	204	31	20	27	54	220	80	96	M27	UC317	FS317	38.4
90	UCFS318	1203.60	280	216	35	20	30	56	240	80	96	M30	UC318	FS318	45.5
95	UCFS319	1511.30	290	228	35	20	30	74	250	101	103	M30	UC319	FS319	53.3
100	UCFS320	1774.50	310	242	38	20	32	74	260	105	108	M33	UC320	FS320	60.4
105	UCFS321	2228.80	310	242	38	20	32	74	260	107	112	M33	UC321	FS321	63.6
110	UCFS322	2425.90	340	266	41	25	35	71	300	106	117	M36	UC322	FS322	82.1
120	UCFS324	3331.80	370	290	41	30	40	80	330	110	126		UC324	FS324	112.8
130	UCFS326	4356.80	410	320	41	30	45	85	360	116	135	M36	UC326	FS326	151.2
140	UCFS328	5366.10	450	350	41	30	55	95	400	131	145		UC328	FS328	214.8

Lubrication fitting tap size 1/8-27 NPT

INTERCHANGES: UCFS



Set-Screw Locking
Wide Inner Ring
Cast Iron Housing
Insert detail-pg.134
Inch and Metric

HEAVY DUTY

Shaft Diam (in.)	AMI Unit #	List Price	Dimensions (in.)							Bolt Size (in.)	Bearing #	Housing #	Weight (lb.)
			a	e	g	x	s	Z	Bi				
1	UCFU305-16	177.50	4-5/8	3-1/2	9/16	1-1/2	9/16	1.721	1.496	1/2	UC305-16	F-U305	4.0
1-3/16	UCFU306-19	233.20	4-15/16	3-13/16	5/8	1-21/32	9/16	2.048	1.693	1/2	UC306-19	F-U306	5.0
1-1/4	UCFU307-20	248.90	5-1/8	4	5/8	1-13/16	9/16	2.252	1.890	1/2	UC307-20 UC307-23	F-U307	6.2
1-7/16	UCFU307-23												6.0
1-1/2	UCFU308-24	290.90	6	4-5/8	5/8	1-31/32	3/4	2.468	2.047	5/8	UC308-24	F-U308	8.4
1-11/16	UCFU309-27	351.40	6-1/4	4-7/8	11/16	2-13/64	3/4	2.748	2.244	5/8	UC309-27 UC309-28	F-U309	10.6
1-3/4	UCFU309-28												10.8
1-7/8	UCFU310-30	417.40	6-1/2	5-1/8	11/16	2-13/32	3/4	2.968	2.402	5/8	UC310-30 UC310-31	F-U310	12.4
1-15/16	UCFU310-31												12.2
2	UCFU311-32	523.80	7-5/16	5-3/4	3/4	2-9/16	29/32	3.220	2.598	3/4	UC311-32 UC311-35	F-U311	16.8
2-3/16	UCFU311-35												16.2
2-7/16	UCFU312-39	638.50	7-5/8	6	3/4	2-13/16	29/32	3.469	2.795	3/4	UC312-39	F-U312	18.2
2-11/16	UCFU314-43	870.20	8-7/8	7	7/8	3-7/16	1-1/16	4.115	3.071	7/8	UC314-43 UC314-44	F-U314	24.8
2-3/4	UCFU314-44												24.5
2-15/16	UCFU315-47	1181.30	9-1/16	7-1/4	7/8	3-7/16	1-1/16	4.312	3.228	7/8	UC315-47 UC315-48	F-U315	32.6
3	UCFU315-48												32.2
Dimensions (mm)													
25	UCFU305	177.50	117.5	88.9	14	38	14	43.7	38		UC305	F-U305	3.8
30	UCFU306	233.20	125.5	96.8	16	42	14	52.0	43	M12	UC306	F-U306	5.0
35	UCFU307	248.90	130	101.6	16	46	14	57.2	48		UC307	F-U307	6.0
40	UCFU308	290.90	152.5	117.4	16	50	19	62.7	52		UC308	F-U308	8.4
45	UCFU309	351.40	159	123.8	17.5	56	19	69.8	57	M16	UC309	F-U309	10.6
50	UCFU310	417.40	165	130.2	17.5	61	19	75.4	61		UC310	F-U310	12.0
55	UCFU311	523.80	185.5	146.1	19	65	23	81.8	66	M20	UC311	F-U311	16.2
60	UCFU312	638.50	193.5	152.4	19	71.5	23	88.1	71	M20	UC312	F-U312	18.4
70	UCFU314	870.20	225.5	177.8	22	87.5	27	104.5	78	M24	UC314	F-U314	24.5
75	UCFU315	1181.30	230	184.1	22	87.5	27	109.5	82	M24	UC315	F-U315	32.4

Lubrication fitting tap size 1/8-27 NPT

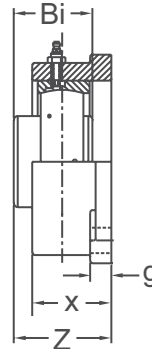
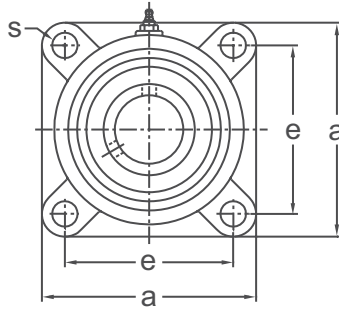
INTERCHANGES: F-U3



EXPANSION FOUR-BOLT FLANGE UNITS

UCFE-U 300

Set-Screw Locking
Wide Inner Ring
Cast Iron Housing
Expansion Type
Insert detail-pg.134
Inch and Metric



Shaft Diam (in.)	AMI Unit #	List Price	Dimensions (in.)								Bolt Size (in.)	Bearing #	Housing #	Weight (lb.)
			a	e	g	x	s	Z	Bi					
1-1/4	UCFEU307-20	414.00	5-1/8	4	5/8	1-13/16	9/16	2.252	1.890	1/2	UC307-20	FE-U307	6.2	
1-7/16	UCFEU307-23										UC307-23		6.0	
1-11/16	UCFEU309-27	518.60	6-1/4	4-7/8	11/16	2-13/64	3/4	2.748	2.244	5/8	UC309-27	FE-U309	10.6	
1-3/4	UCFEU309-28										UC309-28		10.8	
1-7/8	UCFEU310-30	616.90	6-1/2	5-1/8	11/16	2-13/32	3/4	2.968	2.402	5/8	UC310-30	FE-U310	13.2	
1-15/16	UCFEU310-31										UC310-31		13.0	
2	UCFEU311-32	761.40	7-5/16	5-3/4	3/4	2-9/16	29/32	3.220	2.598	3/4	UC311-32	FE-U311	17.4	
2-3/16	UCFEU311-35										UC311-35		16.8	
2-7/16	UCFEU312-39	865.80	7-5/8	6	3/4	2-13/16	29/32	3.469	2.795	3/4	UC312-39	FE-U312	18.6	
2-11/16	UCFEU314-43	1030.50	8-7/8	7	7/8	3-7/16	1-1/16	4.115	3.071	7/8	UC314-43	FE-U314	31.6	
2-3/4	UCFEU314-44										UC314-44		31.4	
2-15/16	UCFEU315-47	1523.40	9-1/16	7-1/4	7/8	3-7/16	1-1/16	4.312	3.228	7/8	UC315-47	FE-U315	32.2	
3	UCFEU315-48										UC315-48		31.8	
Dimensions (mm)														
35	UCFEU307	414.00	130	101.6	16	46	14	57.2	48	M12	UC307	FE-U307	6.0	
45	UCFEU309	518.60	159	123.8	17.5	56	19	69.8	57	M16	UC309	FE-U309	10.6	
50	UCFEU310	616.90	165	130.2	17.5	61	19	75.4	61	M16	UC310	FE-U310	12.8	
55	UCFEU311	761.40	185.5	146.1	19	65	23	81.8	66	M20	UC311	FE-U311	16.8	
60	UCFEU312	865.80	193.5	152.4	19	71.5	23	88.1	71	M20	UC312	FE-U312	18.8	
70	UCFEU314	1030.50	225.5	177.8	22	87.5	27	104.5	78	M24	UC314	FE-U314	31.4	
75	UCFEU315	1523.40	230	184.1	22	87.5	27	109.5	82	M24	UC315	FE-U315	32.0	

Lubrication fitting tap size 1/8-27 NPT

INTERCHANGES: FE-U3

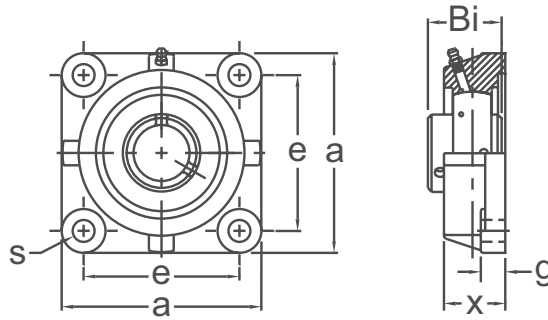
HEAVY DUTY



FOUR-BOLT FLANGE UNITS

UCCJO 300

Set-Screw Locking
Wide Inner Ring
Cast Iron Housing
Insert detail-pg.134
Inch and Metric



Shaft Diam. (in.)	AMI Unit #	List Price	Dimensions (in.)						Bolt Size (in.)	Bearing #	Housing #	Weight (lb.)
			a	e	g	x	s	Bi				
1-3/16	UCCJO306-19	127.70	4-23/32	3-5/8	9/16	1-1/2	9/16	1.693	1/2	UC306-19	CJO306	4.37
1-1/4	UCCJO307-20	141.20	5-1/8	4	5/8	1-37/64	9/16	1.890	1/2	UC307-20	CJO307	5.14
1-7/16	UCCJO307-23									UC307-23		
1-1/2	UCCJO308-24	192.00	5-23/64	4-1/8	5/8	1-47/64	5/8	2.047	9/16	UC308-24	CJO308	6.10
1-11/16	UCCJO309-27	204.20	5-5/8	4-3/8	43/64	1-55/64	5/8	2.244	9/16	UC309-27	CJO309	7.32
1-3/4	UCCJO309-28									UC309-28		
1-7/8	UCCJO310-30	276.60	6-1/2	5-1/8	43/64	2-3/32	11/16	2.402	5/8	UC310-30	CJO310	10.40
1-15/16	UCCJO310-31									UC310-31		
2	UCCJO311-32	335.90	7	5-5/8	43/64	2-19/64	11/16	2.598	5/8	UC311-32	CJO311	13.42
2-3/16	UCCJO311-35									UC311-35		
2-7/16	UCCJO312-39	361.40	7-1/2	5-7/8	3/4	2-9/16	13/16	2.795	3/4	UC312-39	CJO312	15.49
2-11/16	UCCJO314-43	725.75	8-55/64	7	51/64	2-27/32	15/16	3.071	7/8	UC314-43	CJO314	24.94
2-3/4	UCCJO314-44	640.30								UC314-44		
2-15/16	UCCJO315-47	739.80	9-1/4	7-1/4	7/8	3-5/64	15/16	3.228	7/8	UC315-47	CJO315	29.62
3	UCCJO315-48									UC315-48		
3-7/16	UCCJO318-55	1985.30	11-1/16	8-1/2	1-7/64	3-5/16	1-1/16	3.780	1	UC318-55	CJO318	46.12
3-1/2	UCCJO318-56	1340.00								UC318-56		
3-15/16	UCCJO320-63	2252.40	12-7/16	9-17/32	1-19/64	3-13/16	1-3/16	4.252	1-1/8	UC320-63	CJO320	64.82
4	UCCJO320-64									UC320-64		
Dimensions (mm)												
30	UCCJO306	127.70	120	92.1	14	38	14.5	43	M12	UC306	CJO306	4.39
35	UCCJO307	141.20	130	101.6	16	40	14.5	48	M12	UC307	CJO307	5.16
40	UCCJO308	192.00	136	104.8	16	44	16.0	52	M14	UC308	CJO308	6.13
45	UCCJO309	204.20	143	111.1	17	47	16.0	57	M14	UC309	CJO309	7.35
50	UCCJO310	276.60	165	130.2	17	53	17.5	61	M16	UC310	CJO310	10.44
55	UCCJO311	335.90	178	142.9	17	58	17.5	66	M16	UC311	CJO311	13.48
60	UCCJO312	361.40	190	149.2	19	65	20.5	71	M20	UC312	CJO312	15.56
70	UCCJO314	640.30	225	177.8	20	72	24.0	78	M22	UC314	CJO314	25.04
75	UCCJO315	739.80	235	184.2	22	78	24.0	82	M22	UC315	CJO315	29.80
90	UCCJO318	1340.00	281	215.9	28	84	27.0	96	M24	UC318	CJO318	46.34
100	UCCJO320	2252.40	316	242.0	33	97	30.0	108	M27	UC320	CJO320	65.12

Lubrication fitting tap size 1/8-27 NPT

HEAVY DUTY