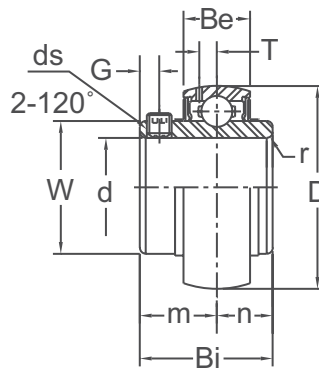




Set-Screw (120°) Locking
Wide Inner Ring
Steel Cage
AISI 52100 Steel
0°F - 212°F
Contact Seal and Slinger
Prelubricated / Relubricatable
Inch



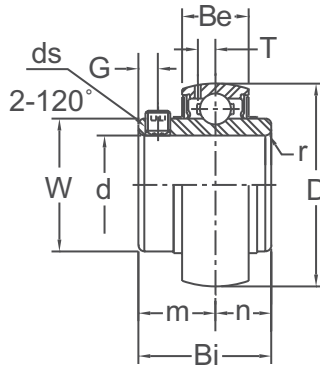
Shaft Diam. (in.) d	AMI Unit #	List Price	Dimensions (in.)										Basic Load Rating (lb.)		Weight (lb.)
			D	Bi	Be	r	n	m	G	ds(UNF)	T	W	Dynamic Cr	Static Cor	
1/2	UC201-8	27.55	1.8504	1.220	0.669	0.039	0.500	0.720	0.177	1/4-28	0.177	1.142	2890	1500	0.46
5/8	UC202-10														
11/16	UC203-11														
3/4	UC204-12	27.55	1.8504	1.220	0.669	0.059	0.500	0.720	0.177	1/4-28	0.177	1.142	2890	1500	0.35
7/8	UC205-14	30.55	2.0472	1.339	0.669	0.059	0.563	0.776	0.197	1/4-28	0.177	1.339	3150	1780	0.42
15/16	UC205-15														
1	UC205-16														
1-1/16	UC206-17	36.25	2.4409	1.500	0.748	0.059	0.626	0.874	0.197	1/4-28	0.201	1.594	4410	2540	0.68
1-1/8	UC206-18														
1-3/16	UC206-19														
1-1/4	UC206-20														
1-1/4	* UC207-20	46.15	2.8346	1.689	0.787	0.079	0.689	1.000	0.236	5/16-24	0.228	1.890	5820	3460	1.06
1-5/16	* UC207-21														
1-3/8	* UC207-22														
1-7/16	* UC207-23														
1-1/2	* UC208-24	57.55	3.1496	1.937	0.827	0.079	0.748	1.189	0.315	5/16-24	0.244	2.087	6590	4020	1.37
1-9/16	* UC208-25														
1-5/8	* UC209-26	62.95	3.3465	1.937	0.866	0.079	0.748	1.189	0.315	5/16-24	0.256	2.256	7420	4610	1.48
1-11/16	* UC209-27														
1-3/4	* UC209-28														
1-7/8	* UC210-30	74.40	3.5433	2.031	0.906	0.079	0.748	1.283	0.354	3/8-24	0.256	2.480	7980	5220	1.72
1-15/16	* UC210-31														
2	* UC210-32														
2	UC211-32	95.25	3.9370	2.189	0.945	0.098	0.874	1.315	0.354	3/8-24	0.287	2.756	9700	6610	2.27
2-1/8	UC211-34														
2-3/16	UC211-35														
2-1/4	UC212-36	128.85	4.3307	2.563	1.024	0.098	1.000	1.563	0.394	3/8-24	0.303	3.031	11800	8120	3.20
2-3/8	UC212-38														
2-7/16	UC212-39														
2-1/2	UC213-40	157.20	4.7244	2.563	1.063	0.098	1.000	1.563	0.394	3/8-24	0.327	3.232	12900	9000	3.77
2-11/16	UC214-43	203.85	4.9213	2.937	1.142	0.098	1.189	1.748	0.472	7/16-20	0.343	3.425	14000	9900	4.54
2-3/4	UC214-44														
2-15/16	UC215-47	244.00	5.1181	3.063	1.181	0.098	1.311	1.752	0.551	7/16-20	0.362	3.602	14900	10800	4.89
3	UC215-48														
3-1/4	UC217-52	392.40	5.9055	3.374	1.339	0.118	1.343	2.031	0.551	7/16-20	0.413	4.134	18700	13900	7.45
3-7/16	UC217-55														
3-1/2	UC218-56	486.00	6.2992	3.780	1.417	0.118	1.563	2.217	0.591	1/2-20	0.437	4.390	21500	16100	9.57
1/2	UCW201-8	27.55	1.5748	1.024	0.591	0.039	0.394	0.630	0.157	10-32	0.157	0.972	2150	1080	0.26
5/8	UCW202-10														0.24
11/16	UCW203-11														0.22

NOTE: *Double Lip (RD) and Triple Lip (RT) Seals are available for these sizes. Consult AMI for pricing and availability.
Example: UC207-20RD (Double Lip) or UC207-20RT (Triple Lip)

INTERCHANGES: VS-2 INS-SC GY1-KRRB YW250 UG2-NL YAR2 2-1



NORMAL DUTY



Set-Screw (120°) Locking
Wide Inner Ring
Steel Cage
AISI 52100 Steel
0°F - 212°F
Contact Seal and Slinger
Prelubricated / Relubricatable
Metric

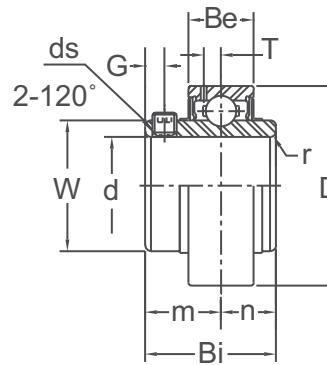
Shaft Diam. (mm) d	AMI Unit #	List Price	Dimensions (mm)										Basic Load Rating (kgf.)		Weight (lb.)	
			D	Bi	Be	r	n	m	G	ds	T	W	Dynamic Cr	Static Cor		
12	UC201	27.55	47	31	17	1	12.7	18.3	4.5	M6X0.75	4.5	29	1310	680	0.47	
15	UC202															
17	UC203															
20	UC204	27.55	47	31	17	1.5	12.7	18.3	4.5	M6X0.75	4.5	29	1310	680	0.36	
25	UC205	30.55	52	34	17	1.5	14.3	19.7	5	M6X0.75	4.5	34	1430	800	0.42	
30	UC206	36.25	62	38.1	19	1.5	15.9	22.2	5	M6X0.75	5.1	40.5	2000	1150	0.69	
35	* UC207	46.15	72	42.9	20	2	17.5	25.4	6	M8X1	5.8	48	2640	1570	1.07	
40	* UC208	57.55	80	49.2	21	2	19	30.2	8	M8X1	6.2	53	2990	1830	1.38	
45	* UC209	62.95	85	49.2	22	2	19	30.2	8	M8X1	6.5	57.3	3350	2090	1.49	
50	* UC210	74.40	90	51.6	23	2	19	32.6	9	M10X1.25	6.5	63	3600	2370	1.74	
55	UC211	95.25	100	55.6	24	2.5	22.2	33.4	9	M10X1.25	7.3	70	4400	3000	2.30	
60	UC212	128.50	110	65.1	26	2.5	25.4	39.7	10	M10X1.25	7.7	77	5350	3700	3.23	
65	UC213	157.20	120	65.1	27	2.5	25.4	39.7	10	M10X1.25	8.3	82.1	5850	4100	3.81	
70	UC214	203.85	125	74.6	29	2.5	30.2	44.4	12	M12X1.5	8.7	87	6350	4500	4.59	
75	UC215	244.00	130	77.8	30	2.5	33.3	44.5	14	M12X1.5	9.2	91.5	6750	4900	4.95	
80	UC216	331.30	140	82.6	32	3	33.3	49.3	14	M12X1.5	9.6	98.5	7400	5400	6.29	
85	UC217	392.40	150	85.7	34	3	34.1	51.6	14	M12X1.5	10.5	105	8500	6300	7.54	
90	UC218	486.00	160	96	36	3	39.7	56.3	15	M12X1.5	11.1	111.5	9750	7300	9.68	
Dimensions (mm)																
12	UCW201	27.55	40	26	15	1	10	16	4	M5x0.8	4	24.7	975	490	0.27	
15	UCW202															
17	UCW203															

NOTE: *Double Lip (RD) and Triple Lip (RT) Seals are available for these sizes. Consult AMI for pricing and availability.
Example: UC207RD (Double Lip) or UC207RT (Triple Lip)

INTERCHANGES:	VS-2	INS-SC	GY1-KRRB	YW250	UG2-NL	YAR2	5205
---------------	------	--------	----------	-------	--------	------	------



Set-Screw (120°) Locking
 Wide Inner Ring
 Steel Cage
 AISI 52100 Steel
 0°F - 212°F
 Contact Seal and Slinger
 Cylindrical O.D.
 Prelubricated / Relubricatable
 Inch and Metric



Shaft Diam. (in.) d	AMI Unit #	List Price	Dimensions (in.)										Basic Load Rating (lbf.)		Weight (lb.)	
			D	Bi	Be	r	n	m	G	ds(UNF)	T	W	Dynamic Cr	Static Cor		
3/4	UR204-12	27.55	1.8504	1.220	0.669	0.059	0.500	0.720	0.177	1/4-28	0.177	1.142	2890	1500	0.35	
1	UR205-16	30.55	2.0472	1.339	0.669	0.059	0.563	0.776	0.197	1/4-28	0.177	1.339	3150	1780	0.42	
1-1/4	UR206-20	36.25	2.4409	1.500	0.748	0.059	0.626	0.874	0.197	1/4-28	0.201	1.594	4410	2540	0.68	
1-1/4	UR207-20	46.15	2.8346	1.689	0.787	0.079	0.689	1.000	0.236	5/16-24	0.228	1.890	5820	3460	1.06	
1-7/16	UR207-23												6590	4020	1.37	
1-1/2	UR208-24	57.55	3.1496	1.937	0.827	0.079	0.748	1.189	0.315	5/16-24	0.244	2.087	6590	4020	1.37	
			Dimensions (mm)										Basic Load Rating (kgf.)			
20	UR204	27.55	47	31	17	1.5	12.7	18.3	4.5	M6X0.75	4.5	29	1310	680	0.36	
25	UR205	30.55	52	34	17	1.5	14.3	19.7	5		4.5	34	1430	800	0.42	
30	UR206	36.25	62	38.1	19	1.5	15.9	22.2	5		5.1	40.5	2000	1150	0.69	
35	UR207	46.15	72	42.9	20	2	17.5	25.4	6	M8X1	5.8	48	2640	1570	1.07	
40	UR208	57.55	80	49.2	21	2	19	30.2	8		6.2	53	2990	1830	1.38	
45	UR209	62.95	85	49.2	22	2	19	30.2	8		6.5	57.3	3350	2090	1.49	

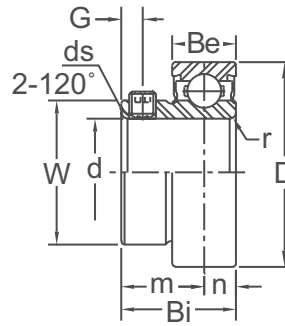
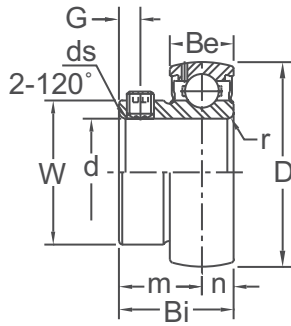
INTERCHANGES: UBG2-NL



BALL BEARINGS

B / BR

Set-Screw (120°) Locking
Narrow Inner Ring
Steel Cage
AISI 52100 Steel
0°F - 212°F
Contact Seal
Inch and Metric



NORMAL DUTY

Shaft Diam. (in.) d	AMI Unit #		List Price	Dimensions (in.)								Basic Load Rating (lb.)		Weight (lb.)	
				D	Bi	Be	r	n	m	G	ds(UNF)	W	Dynamic Cr		Static Cor
1/2	B1-8	BR1-8	24.85	1.5748	0.866	0.472	0.039	0.236	0.630	0.157	10-32	0.972	2150	1080	0.22
5/8	B2-10	BR2-10													
3/4	B4-12	BR4-12	25.65	1.8504	0.972	0.551	0.059	0.276	0.697	0.177	10-32	1.142	2890	1500	0.26
7/8	B5-14	BR5-14	26.75	2.0472	1.063	0.591	0.059	0.295	0.767	0.197	1/4-28	1.339	3150	1780	0.35
1	B5-16	BR5-16													
1-1/16	B6-17	—	34.50	2.4409	1.193	0.630	0.059	0.315	0.878	0.197	1/4-28	1.594	4410	2540	0.55
1-1/8	B6-18	BR6-18													
1-3/16	B6-19	BR6-19													
1-1/4	B6-20	BR6-20													
1-1/4	B7-20	BR7-20	43.30	2.8346	1.295	0.669	0.079	0.335	0.961	0.236	5/16-24	1.890	5820	3460	0.84
1-5/16	B7-21	BR7-21													
1-3/8	B7-22	BR7-22													
1-7/16	B7-23	BR7-23													
1-1/2	B8-24	—	69.50	3.1496	1.398	0.709	0.079	0.354	1.043	0.315	5/16-24	2.087	6590	4020	1.08
				Dimensions (mm)								Basic Load Rating (kgf.)			
12	B1	BR1	24.85	40	22	12	1	6	16	4	M5X0.8	24.7	975	490	0.20
15	B2	BR2													
17	B3	BR3													
20	B4	BR4	25.65	47	24.7	14	1.5	7	17.7	4.5	M5X0.8	29	1310	680	0.27
25	B5	BR5	26.75	52	27	15	1.5	7.5	19.5	5	M6X0.75	34	1430	800	0.36
30	B6	BR6	34.50	62	30.3	16	1.5	8	22.3	5	M6X0.75	40.5	2000	1150	0.56
35	B7	BR7	43.30	72	32.9	17	2	8.5	24.4	6	M8X1	48	2640	1570	0.85
40	B8	—	69.50	80	35.5	18	2	9	26.5	8		53	2990	1830	1.09

INTERCHANGES:	VS-1	INS-VSC	YA-RRB	SB2	B250	GAY-NPP	SG2-NL	AS2	L-	SLS-1	SBG2-EL	MSLN	SL-
---------------	------	---------	--------	-----	------	---------	--------	-----	----	-------	---------	------	-----

INTERCHANGES:	MB-25-PA
---------------	----------

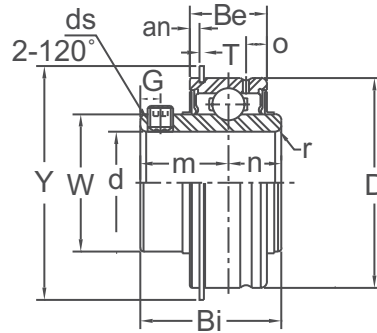


CYLINDRICAL O.D. BALL BEARINGS W/SNAP RING

SER 200

NORMAL DUTY

Set-Screw (120°) Locking
Wide Inner Ring
Steel Cage
AISI 52100 Steel
0°F - 212°F
Contact Seal and Slinger
Cylindrical O.D.
Prelubricated / Relubricatable
Inch and Metric

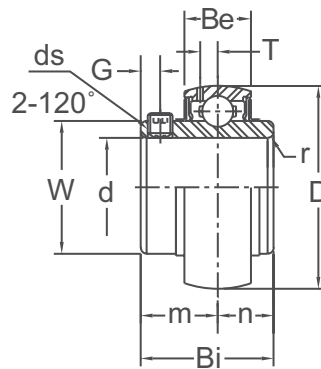


Shaft Diam. (in.) d	AMI Unit #	List Price	Dimensions (in.)													Basic Load Rating (lbf.)		Weight (lb.)	
			D	Bi	Be	r	n	m	G	ds(UNF)	o	W	an	T	Y(max)	Dynamic Cr	Static Cor		
1/2	SER201-8	37.40	1.8504	1-7/32	5/8	0.039	13/32	13/16	0.177	1/4-28	0.150	1.142	3/32	0.042	2.075	2890	1500	0.60	
5/8	SER202-10																		0.55
3/4	SER204-12	37.40	1.8504	1-7/32	5/8	0.059	13/32	13/16	0.177	1/4-28	0.150	1.142	3/32	0.042	2.075	2890	1500	0.48	
7/8	SER205-14																		
15/16	SER205-15	41.80	2.0472	1-3/8	3/4	0.059	33/64	55/64	0.197	1/4-28	13/64	1.339	3/32	0.042	2.280	3150	1780	0.62	
1	SER205-16																		
1-1/16	SER206-17	47.80	2.4409	1-1/2	7/8	0.059	5/8	7/8	0.197	1/4-28	7/32	1.594	1/8	0.065	2.665	4410	2540	0.84	
1-1/8	SER206-18																		
1-3/16	SER206-19																		
1-1/4	SER206-20																		
1-1/4	SER207-20	57.50	2.8346	1-11/16	15/16	0.079	11/16	1	0.236	5/16-24	7/32	1.890	1/8	0.065	3.095	5820	3460	1.23	
1-5/16	SER207-21																		
1-3/8	SER207-22																		
1-7/16	SER207-23																		
1-1/2	SER208-24	72.00	3.1496	1-15/16	1-3/32	0.079	3/4	1-3/16	0.315	5/16-24	1/4	2.087	1/8	0.065	3.410	6590	4020	1.92	
1-9/16	SER208-25																		
1-5/8	SER209-26	82.00	3.3465	1-15/16	1-3/32	0.079	3/4	1-3/16	0.315	5/16-24	1/4	2.256	1/8	0.065	3.606	7420	4610	2.09	
1-11/16	SER209-27																		
1-3/4	SER209-28																		
1-7/8	SER210-30	91.90	3.5433	2-1/32	1-1/8	0.079	3/4	1-9/32	0.354	3/8-24	19/64	2.480	1/8	0.095	3.799	7980	5220	2.27	
1-15/16	SER210-31																		
2	SER211-32	120.50	3.9370	2-3/16	1-3/16	0.098	7/8	1-5/16	0.354	3/8-24	19/64	2.756	1/8	0.095	4.193	9700	6610	2.67	
2-3/16	SER211-35																		
2-1/4	SER212-36	142.70	4.3307	2-9/16	1-1/4	0.098	1	1-9/16	0.394	3/8-24	19/64	3.031	1/8	0.095	4.591	11800	8160	3.70	
2-3/8	SER212-38																		
2-7/16	SER212-39																		
			Dimensions (mm)													Basic Load Rating (kgf.)			
12	SER201	40.60	47	31	15.9	1	10.3	20.7	4.5	M6X0.75	3.8	29	2.38	1.07	52.7	1310	680	0.56	
15	SER202																		0.51
17	SER203																		
20	SER204	40.60	47	31	15.9	1.5	10.3	20.7	4.5	M6X0.75	3.8	29	2.38	1.07	52.7	1310	680	0.48	
25	SER205																		0.62
30	SER206	52.00	62	38.1	22.2	1.5	15.9	22.2	5	M6X0.75	5.6	40.5	3.18	1.65	67.7	2000	1150	0.84	
35	SER207	62.55	72	42.9	23.8	2	17.5	25.4	6	M8X1.0	5.6	48	3.18	1.65	78.6	2640	1570	1.23	
40	SER208	78.25	80	49.2	27.8	2	19	30.2	8	M8X1.0	6.4	53	3.18	1.65	86.6	2990	1830	1.92	
45	SER209	89.10	85	49.2	27.8	2	19	30.2	8	M8X1.0	6.4	57.3	3.18	1.65	91.6	3350	2090	2.09	
50	SER210	99.85	90	51.6	28.6	2	19	32.6	9	M10X1.25	7.5	63	3.18	2.41	96.5	3600	2370	2.27	
55	SER211	130.95	100	55.6	30.2	2.5	22.2	33.4	9	M10X1.25	7.5	70	3.18	2.41	106.5	4400	3000	2.67	
60	SER212	155.10	110	65.1	31.8	2.5	25.4	39.7	10	M10X1.25	7.5	77	3.18	2.41	116.6	5350	3700	3.70	

INTERCHANGES: VER-2 ER UBGL2-NL



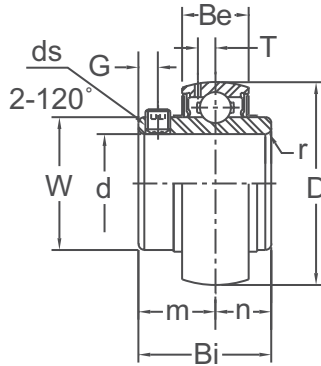
Set-Screw (120°) Locking
Wide Inner Ring
Steel Cage
AISI 52100 Steel
0°F - 212°F
Contact Seal and Slinger
Prelubricated / Relubricatable
Inch and Metric



MEDIUM DUTY

Shaft Diam. (in.) d	AMI Unit #	List Price	Dimensions (in.)										Basic Load Rating (lbf.)		Weight (lb.)	
			D	Bi	Be	r	n	m	G	ds(UNF)	T	W	Dynamic Cr	Static Cor		
1	UCX05-16	53.70	2.4409	1.500	0.748	0.059	0.626	0.874	0.197	1/4-28	0.201	1.594	4410	2540	0.82	
1-1/8	UCX06-18	61.50	2.8346	1.689	0.787	0.059	0.689	1.000	0.236	5/16-24	0.228	1.890	5820	3460	1.01	
1-3/16	UCX06-19															
1-1/4	UCX06-20															
1-1/4	UCX07-20	76.50	3.1496	1.937	0.827	0.079	0.748	1.189	0.315	5/16-24	0.244	2.087	6590	4020	1.63	
1-3/8	UCX07-22															
1-7/16	UCX07-23															
1-1/2	UCX08-24															
1-5/8	UCX09-26	85.20	3.3465	1.937	0.866	0.079	0.748	1.189	0.315	5/16-24	0.256	2.256	7420	4610	1.76	
1-11/16	UCX09-27															
1-3/4	UCX09-28															
1-7/8	UCX10-30	96.90	3.5433	2.031	0.906	0.079	0.748	1.283	0.354	3/8-24	0.256	2.480	7980	5220	2.03	
1-15/16	UCX10-31															
2	UCX10-32															
2	UCX11-32															
2-3/16	UCX11-35	157.80	4.3307	2.563	1.024	0.098	1.000	1.563	0.394	3/8-24	0.303	3.031	11800	8120	3.79	
2-1/4	UCX11-36															
2-3/8	UCX12-38															
2-7/16	UCX12-39	186.00	4.7244	2.563	1.063	0.098	1.000	1.563	0.394	3/8-24	0.327	3.232	12900	9000	4.34	
2-1/2	UCX13-40															
2-11/16	UCX14-43															
2-3/4	UCX14-44	223.50	4.9213	2.937	1.142	0.098	1.189	1.748	0.472	7/16-20	0.343	3.425	14000	9900	5.14	
2-15/16	UCX15-47															
3	UCX15-48															
3-3/16	UCX16-51	299.00	5.5118	3.252	1.260	0.098	1.311	1.941	0.472	7/16-20	0.378	3.878	16300	11900	7.10	
3-1/4	UCX17-52															
3-7/16	UCX17-55															
3-1/2	UCX18-56	571.00	6.2992	3.780	1.417	0.118	1.563	2.217	0.472	1/2-20	0.437	4.390	21500	16100	10.65	
3-15/16	UCX20-63															
4	UCX20-64															
4	UCX20-64	745.00	7.4803	4.626	1.654	0.138	1.937	2.689	0.630	5/8-18	0.512	5.217	30200	23600	19.92	
			Dimensions (mm)										Basic Load Rating (kgf.)			
			D	Bi	Be	r	n	m	G	ds	T	W	Dynamic Cr	Static Cor		
25	UCX05	53.70	62	38.1	19	1.5	15.9	22.2	5	M6x0.75	5.1	40.5	2000	1150	0.83	
30	UCX06	61.50	72	42.9	20	1.5	17.5	25.4	6	M8x1	5.8	48	2640	1570	1.03	
35	UCX07	76.50	80	49.2	21	2	19	30.2	8	M8x1	6.2	53	2990	1830	1.65	
40	UCX08	85.20	85	49.2	22	2	19	30.2	8	M8x1	6.5	57.3	3350	2090	1.78	
45	UCX09	96.90	90	51.6	23	2	19	32.6	9	M10x1.25	6.5	63	3600	2370	2.05	
50	UCX10	116.20	100	55.6	24	2	22.2	33.4	9	M10x1.25	7.3	70	4400	3000	2.70	
55	UCX11	157.80	110	65.1	26	2.5	25.4	39.7	10	M10x1.25	7.7	77	5350	3700	3.84	
60	UCX12	186.00	120	65.1	27	2.5	25.4	39.7	10	M10x1.25	8.3	82.1	5850	4100	4.39	
65	UCX13	223.50	125	74.6	29	2.5	30.2	44.4	12	M12x1.5	8.7	87	6350	4500	5.20	
70	UCX14	244.00	130	77.8	30	2.5	33.3	44.5	12		9.2	91.5	6750	4900	5.73	
75	UCX15	299.00	140	82.6	32	2.5	33.3	49.3	12	M12x1.5	9.6	98.5	7400	5400	7.18	
80	UCX16	363.00	150	85.7	34	3	34.1	51.6	12		10.5	105	8500	6300	8.50	
85	UCX17	429.00	160	96	36	3	39.7	56.3	12	M12x1.5	11.1	111.5	9750	7300	10.8	
90	UCX18	571.00	170	104	38	3	42.9	61.1	14	M14x1.5	11.9	118	11100	8350	12.3	
100	UCX20	745.00	190	117.5	42	3.5	49.2	68.3	16	M16x1.5	13	132.5	13700	10700	20.2	

INTERCHANGES: VS-3 | INS-SCM | GYM1-KRRB | B350 | MB-35 | YAR2 | UCX | 3-1



**Set-Screw (120°) Locking
Wide Inner Ring
Steel Cage
AISI 52100 Steel
0°F - 212°F
Contact Seal and Slinger
Prelubricated / Relubricatable
Inch and Metric**

HEAVY DUTY

Shaft Diam. (in.) d	AMI Unit #	List Price	Dimensions (in.)										Basic Load Rating (lbf.)		Weight (lb.)
			D	Bi	Be	r	n	m	G	ds(UNF)	T	W	Dynamic Cr	Static Cor	
1	UC305-16	69.40	2.4409	1.496	0.827	0.079	0.591	0.906	0.236	1/4-28	0.240	1.453	4780	2450	0.97
1-3/16	UC306-19	78.70	2.8346	1.693	0.906	0.079	0.669	1.024	0.236	1/4-28	0.264	1.772	6020	3370	1.23
1-1/4	UC307-20	92.90	3.1496	1.890	0.984	0.098	0.748	1.142	0.315	5/16-24	0.291	1.988	7530	4320	1.56
1-7/16	UC307-23														
1-1/2	UC308-24	114.70	3.5433	2.047	1.063	0.098	0.748	1.299	0.394	3/8-24	0.323	2.205	9150	5380	2.20
1-11/16	UC309-27	146.90	3.9370	2.244	1.181	0.098	0.866	1.378	0.394	3/8-24	0.354	2.480	11570	6630	2.82
1-3/4	UC309-28														
1-7/8	UC310-30	181.50	4.3307	2.402	1.260	0.118	0.866	1.535	0.472	7/16-20	0.394	2.776	13900	8600	3.64
1-15/16	UC310-31														
2	UC311-32	227.20	4.7244	2.598	1.339	0.118	0.984	1.614	0.472	7/16-20	0.421	3.012	16100	10100	4.56
2-3/16	UC311-35														
2-7/16	UC312-39	276.20	5.1181	2.795	1.417	0.138	1.024	1.772	0.472	1/2-20	0.453	3.248	18300	11700	5.71
2-1/2	UC313-40	328.80	5.5118	2.953	1.496	0.138	1.181	1.772	0.472	1/2-20	0.480	3.484	20800	13500	6.94
2-11/16	UC314-43	466.20	5.9055	3.071	1.575	0.138	1.299	1.772	0.472	1/2-20	0.512	3.748	23400	15200	8.44
2-3/4	UC314-44														
2-15/16	UC315-47	515.80	6.2992	3.228	1.654	0.138	1.260	1.969	0.551	9/16-18	0.543	3.996	25600	17300	10.12
3	UC315-48	554.50													
3-3/16	UC316-51	706.50	6.6929	3.386	1.732	0.138	1.339	2.047	0.551	9/16-18	0.571	4.252	27650	19400	11.90
3-1/4	UC317-52	860.20	7.0866	3.780	1.811	0.157	1.575	2.205	0.630	5/8-18	0.591	4.508	29700	21700	14.50
3-7/16	UC318-55	1459.10	7.4803	3.780	1.890	0.157	1.575	2.205	0.630	5/8-18	0.626	4.764	32200	24000	16.18
3-1/2	UC318-56	950.40													
3-3/4	UC319-60	1066.60	7.8740	4.055	1.969	0.157	1.614	2.441	0.630	5/8-18	0.657	5.020	34400	26600	19.17
3-15/16	UC320-63	1299.10	8.4646	4.252	2.126	0.157	1.654	2.598	0.709	3/4-16	0.709	5.335	39000	31500	23.80
4	UC320-64														
4-7/16	UC322-71	1744.40	9.4488	4.606	2.362	0.157	1.811	2.795	0.709	3/4-16	0.827	5.984	46100	40200	31.90
			Dimensions (mm)										Basic Load Rating (kgf.)		
25	UC305	69.40	62	38	21	2	15	23	6	M6x0.75	6.1	36.9	2170	1120	0.98
30	UC306	78.70	72	43	23	2	17	26	6	M6x0.75	6.7	45	2730	1530	1.25
35	UC307	92.90	80	48	25	2.5	19	29	8	M8x1	7.4	50.5	3400	1960	1.58
40	UC308	114.70	90	52	27	2.5	19	33	10	M10x1.25	8.2	56	4150	2440	2.23
45	UC309	146.90	100	57	30	2.5	22	35	10	M10x1.25	9	63	5250	3000	2.85
50	UC310	181.50	110	61	32	3	22	39	12	M12x1.5	10	70.5	6300	3900	3.68
55	UC311	227.20	120	66	34	3	25	41	12		10.7	76.5	7300	4600	4.62
60	UC312	276.20	130	71	36	3.5	26	45	12	M12x1.5	11.5	82.5	8300	5300	5.78
65	UC313	328.80	140	75	38	3.5	30	45	12		12.2	88.5	9450	6100	7.02
70	UC314	466.20	150	78	40	3.5	33	45	12	M12x1.5	13	95.2	10600	6930	8.54
75	UC315	554.50	160	82	42	3.5	32	50	14	M14x1.5	13.8	101.5	11600	7840	10.3
80	UC316	706.50	170	86	44	3.5	34	52	14	M14x1.5	14.5	108	12540	8800	12.1
85	UC317	860.20	180	96	46	4	40	56	16		15	114.5	13500	9800	14.7
90	UC318	950.40	190	96	48	4	40	56	16	M16x1.5	15.9	121	14600	10900	16.4
95	UC319	1066.60	200	103	50	4	41	62	16		16.7	127.5	15600	12100	19.4
100	UC320	1299.10	215	108	54	4	42	66	18		18	135.5	17700	14300	24.1
105	UC321	1601.80	225	112	56	4	44	68	18	M18x1.5	19	142	18700	15600	27.2
110	UC322	1744.40	240	117	60	4	46	71	18		21	152	20900	18230	31.9
120	UC324	2343.50	260	126	64	4	51	75	18	M18x1.5	22	165	21100	18900	41.3
130	UC326	2939.90	280	135	68	5	54	81	20	M20x1.5	23	178	23400	21900	51.3
140	UC328	3821.30	300	145	73	5	59	86	20	M20x1.5	25	191.5	26000	25100	63.6

INTERCHANGES: UG3-L UC3