



*Power Transmission and Motion Control Solutions  
for Industrial Applications*







Altra products are marketed under a variety of well recognised and established manufacturing brand names. Operating independently, each of these companies are committed to the guiding principles of the Altra Business System, continuous improvement and customer satisfaction.

Our products are frequently used in a wide range of high-volume manufacturing processes, where the reliability and accuracy are critical in both avoiding costly down time and enhancing the overall efficiency of manufacturing operations.

## **The “Power Brands” in Power Transmission**

**Warner Electric**

**Boston Gear**

**TB Wood’s**

**Formsprag Clutch**

**Wichita Clutch**

**Marland Clutch**

**Industrial Clutch**

**Nuttall Gear**

**Warner Linear**

**Delroyd Worm Gear**

**Stieber Clutch**

**Ameridrives Couplings**

**Inertia Dynamics**

**Matrix International**

**Huco Dynatork**

**Bibby Transmissions**

**Twiflex Limited**

**Kilian Manufacturing**

*Providing the  
essential control of  
equipment speed,  
torque, positioning,  
and other functions,  
Altra products are  
used in nearly any  
machine or process  
involving motion.*



Profitable  
Sales Growth

Voice of the  
Customer

**Policy Deployment**

**ABS Tools**

**Total Associate  
Involvement**

Customer  
Satisfaction

Quality Delivery  
Cost

### **Altra Business System**

At the core of our success is the Altra Business System (ABS), a comprehensive business management approach designed to drive world-class performance. The Altra Business System begins with the Voice of the Customer. By understanding what the customer truly values in the goods and services we provide, we are able to focus our improvement efforts on the critical processes that provide value to the customer. As we make significant improvements in the Quality, Delivery and Cost of these processes, we satisfy our customers more thoroughly and consistently. Customer Satisfaction then translates to long-term, profitable growth for the corporation.

The Altra Business System is our DNA... the way we work to continually improve our competitiveness and consistently deliver shareholder value.





## The Power of Experience

The Altra Business System utilizes Policy Deployment to assure that the organization is focused and aligned around key improvement priorities. ABS tools (e.g., continuous flow, standardized work, kanban) provide the means by which we achieve these improvements as we engage our entire workforce (via Total Associate Involvement) to actively and aggressively drive us toward world-class performance.



Our emphasis on accountability ensures a focus on critical thinking and problem solving within team environments throughout the organization. To achieve our goal we recruit and hire only the most skilled people available for any position. We then provide extensive training to help promote the professional development of each associate from customer service and sales representatives to application engineers and manufacturing technicians.



With sales, service, and manufacturing facilities in more than 13 different nations across five continents, combined with industry leading distribution channels, our expanding global presence allows us to provide exceptional customer service and support worldwide.

- Altra Headquarters
- Altra Manufacturing Facilities
- Altra Asia Pacific Offices

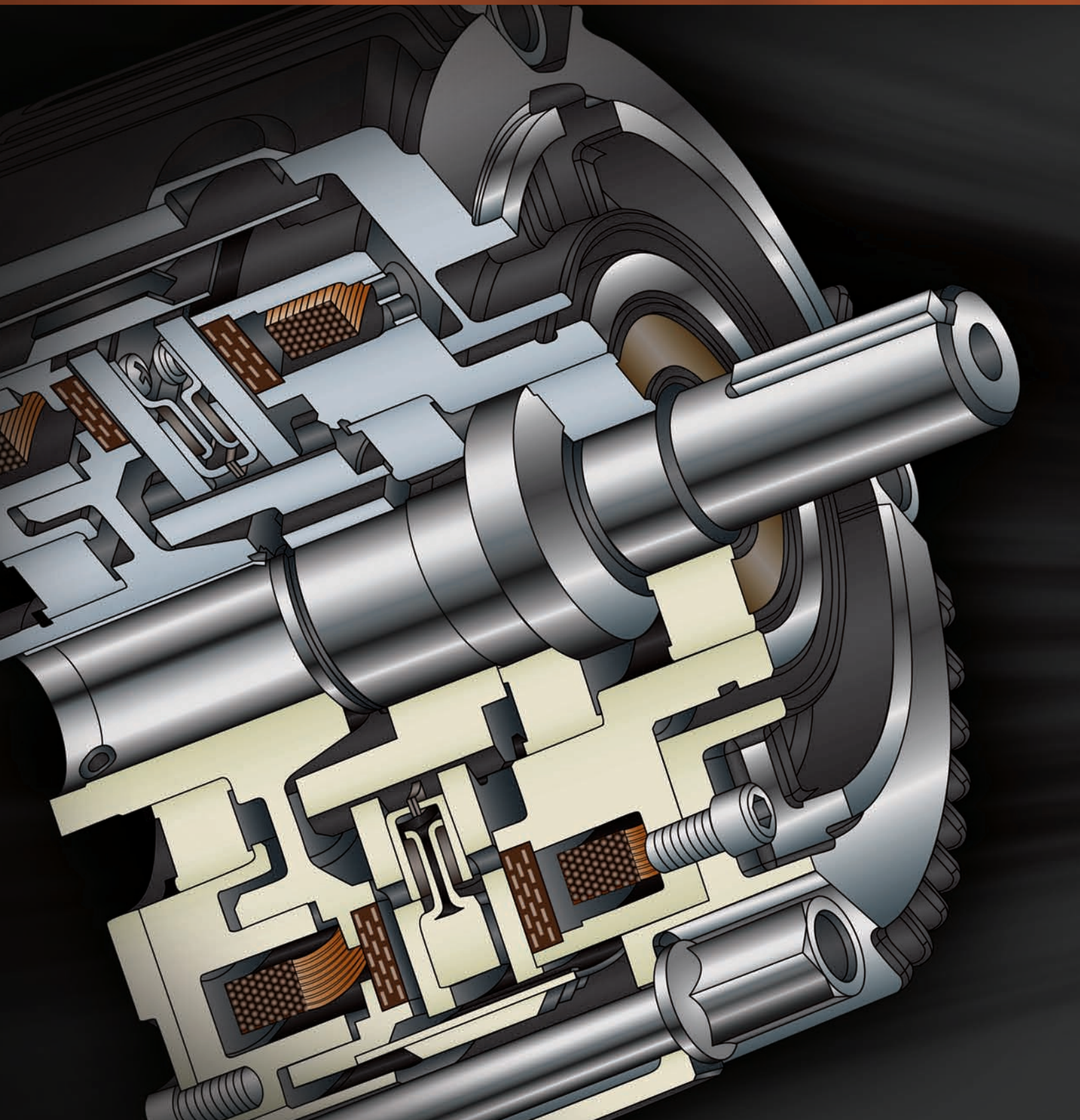




ALTRA INDUSTRIAL MOTION



# Innovation





For more than a century, the most important breakthroughs in power transmission products and components have been led by Altra's most recognized brands, including Boston Gear and Warner Electric. These well-respected companies, along with the ever-growing list of other Altra brands, are working together to lead the next century of innovations in power transmission technology.

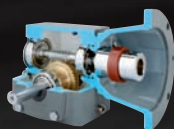
We are dedicated to finding new and better ways of handling some of the most demanding power transmission applications. By working closely with our customers and applying the latest technologies in design, materials and manufacturing we have accelerated the development process of bringing new products to the marketplace.

With state-of-the-art equipment at our disposal like the UniGraphics solid modeling design package, models can be generated quickly, expediting the initial phases of the design and sales process. Our experienced CAD design teams can create simple models, like standard, modular worm gear speed reducers, for high volume projects as well as complex models for small or large scale custom jobs. Rapid prototyping technology is also available for full scale evaluation.

We also have full service test labs to validate the integrity of new product designs before we manufacture the product. In the test lab, we are able to simulate many common application scenarios to evaluate problems you may be experiencing on your manufacturing floor. This can decrease down time and expenses associated with trouble-shooting. You can be confident that the Altra product you get is the product you wanted.



Some examples of recent product development include:



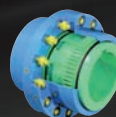
**QC700 Series  
Speed Reducer**



**AquaMaKKs  
Water Cooled Clutch/  
Brake**



**Magnetic Capping  
Headset**



**Amerigear  
Coupling**



**Linear Actuator**



# Product Solutions

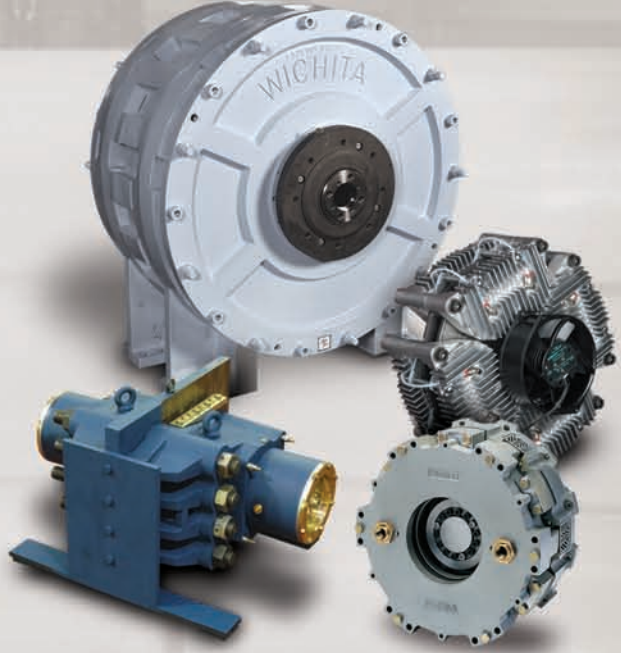


## Electromagnetic Clutches and Brakes

Warner Electric  
Inertia Dynamics  
Matrix International

## Heavy Duty Clutches and Brakes

Wichita Clutch  
Twiflex Limited  
Industrial Clutch



## Overrunning Clutches

Formsprag Clutch  
Marland Clutch  
Stieber Clutch





Our comprehensive product offering is comprised of eight major categories including electromagnetic clutches and brakes, heavy duty clutches and brakes, overrunning clutches, gearing, engineered couplings, engineered bearing assemblies, linear products and belted drives.

With thousands of product solutions available, Altra provides true single source convenience while meeting specific customer requirements. Many major OEM's and end users prefer Altra products as their No.1 choice for performance and reliability.



### **Belted Drives and Sheaves**

TB Wood's

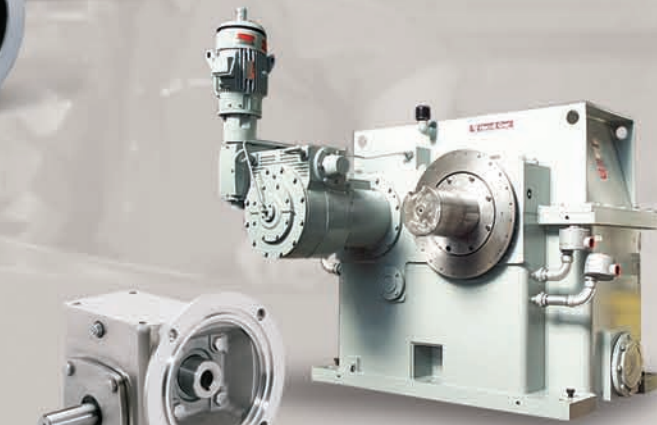


### **Engineered Bearing Assemblies**

Kilian Manufacturing

### **Engineered Couplings**

TB Wood's  
Ameridrives Couplings  
Bibby Transmissions  
Huco Dynatork



### **Gearing**

Boston Gear  
Nuttall Gear  
Delroyd Worm Gear



### **Linear Products**

Warner Linear



# Market Expertise



## Material Handling

- Gear Drives
- Clutches and Brakes
- Couplings
- Overrunning Clutches
- Linear Products
- Engineered Bearing Assemblies



## Metals

- Couplings
- Gear Drives
- Clutches and Brakes



## Elevators

- Clutches and Brakes

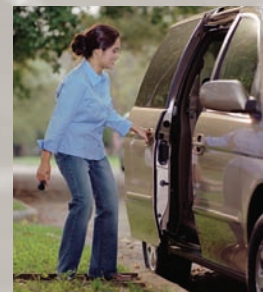


## Turf and Garden

- Clutches and Brakes
- Linear Products
- Engineered Bearing Assemblies

## Food Processing

- Gear Drives
- Clutches and Brakes
- Couplings
- Overrunning Clutches
- Linear Products



## Transportation

- Engineered Bearing Assemblies
- Couplings
- Gear Drives



Our teams in the field are more than salespeople... they are experienced application specialists who understand your production process and challenges and can recommend the Altra power transmission solution to meet your specific requirements.

With over 250 associates in sales and marketing, our extensive industry knowledge encompasses virtually every major market.

### Military and Aerospace

- Clutches and Brakes
- Overrunning Clutches
- Gear Drives
- Couplings
- Machined Bearing Assemblies



### Forklifts

- Clutches and Brakes



### Mining

- Overrunning Clutches
- Clutches and Brakes
- Couplings



### Packaging Machinery

- Gear Drives
- Clutches and Brakes
- Couplings
- Overrunning Clutches
- Linear Products

### Medical

- Linear Products
- Couplings
- Clutches and Brakes
- Gear Drives



### Energy

- Clutches and Brakes
- Couplings
- Overrunning Clutches











**Warner Electric**

*Electromagnetic Clutches and Brakes - USA*

South Beloit, IL  
815-389-3771

For customer service:  
1-800-825-6544  
For application assistance:  
1-800-825-9050

*Electromagnetic Clutches and Brakes - Europe*

St Barthelemy d'Anjou, France  
+33 (0)2 41 21 24 24

For sales office:  
+33 (0)2 41 21 24 76

*Precision Electric Coils and Electromagnetic Clutches and Brakes - USA*

Columbia City, IN  
260-244-6183

**Inertia Dynamics**

*Spring Set Brakes; Power On and Wrap Spring Clutch/Brakes*

New Hartford, CT  
860-482-4444

**Matrix International**

*Electromagnetic Clutches and Brakes, Pressure Operated Clutches and Brakes*

Brechin, Scotland  
+44 (0) 1356 602000

South Beloit, IL  
815-389-3771

**Warner Linear**

*Linear Actuators and Guideways - USA*

Belvidere, IL  
815-547-1106

For application assistance:  
1-800-825-9050

**TB Wood's**

*Belted Drives and Flexible Couplings*

Chambersburg, PA  
717-264-7161

For assistance:  
1-888-829-6637  
Press #5 – Customer Service  
Press #7 – Mechanical Applications

**Wichita Clutch and Industrial Clutch**

*Pneumatic and Oil Immersed Clutches and Brakes - USA*

Wichita Falls, TX  
940-723-3400

*Pneumatic Clutches and Brakes - Europe*

Bedford, England  
+44 (0)1234 350311

**Twiflex Limited**

*Caliper Brakes and Thrusters*

Twickenham, England  
+44 (0) 20 8894 1161

**Formsprag Clutch**

*Overrunning Clutches and Holdbacks*

Warren, MI  
586-758-5000

For application assistance:  
1-800-927-3262

**Marland Clutch**

*Roller Ramp and Sprag Type Overrunning Clutches and Backstops*

Burr Ridge, IL  
630-455-1752

**Stieber Clutch**

*Overrunning Clutches and Holdbacks*

Heidelberg, Germany  
+49 (0)6221 30 47 0

**Boston Gear**

*Enclosed and Open Gearing, Electrical and Mechanical P.T. Components*

Charlotte, NC  
704-688-7300

For customer service:  
1-800-825-6544  
For application assistance:  
1-800-816-5608

**Huco Dynatork**

*Precision Couplings and Air Motors*

Hertford, England  
+44 (0) 1992 501900

U.S.  
800-825-6544

**Ameridrives Couplings**

*Gear Couplings, Mill Spindles, Universal Joints*

Erie, PA  
814-480-5000

*Universal Joints, Drive Shafts, Mill Gear Couplings*

Green Bay, WI  
920-593-2444

**Bibby Transmissions**

*Disc, Gear, Grid Couplings, Overload Clutches*

Dewsbury, England  
+44 (0) 1924 460801

**Nuttall Gear and Delroyd Worm Gear**

*Worm Gear and Helical Speed Reducers*

Niagara Falls, NY  
716-298-4100

**Saftek Friction**

*Non-asbestos Brake and Clutch Materials*

Telford, England  
+44 (0) 1952 581122

**Altra Industrial Motion - Asia Pacific and Africa**

China	852 2615 9313
Taiwan	886 2 2577 8156
Singapore	65 6487 4464
Thailand	66 2 322 5527
Australia	612 9894 0133
S. Africa	27 11 918 4270