



TRUE™ Planetary Gearheads



Linear Motion. Optimized.™

Thomson - the Choice for Optimized Motion Solutions

Often the ideal design solution is not about finding the fastest, sturdiest, most accurate or even the least expensive option. Rather, the ideal solution is the optimal balance of performance, life and cost.

The Best Positioned Supplier of Mechanical Motion Technology

Thomson has several advantages that makes us the supplier of choice for motion control technology.

- Thomson own the broadest standard product offering of mechanical motion technologies in the industry.
- Modified versions of standard product or white sheet design solutions are routine for us.
- Choose Thomson and gain access to more than 70 years of global application experience in industries including packaging, factory automation, material handling, medical, clean energy, printing, automotive, machine tool, aerospace and defense.
- As part of Fortive Corporation, we are financially strong and unique in our ability to bring together control, drive, motor, power transmission and precision linear motion technologies.

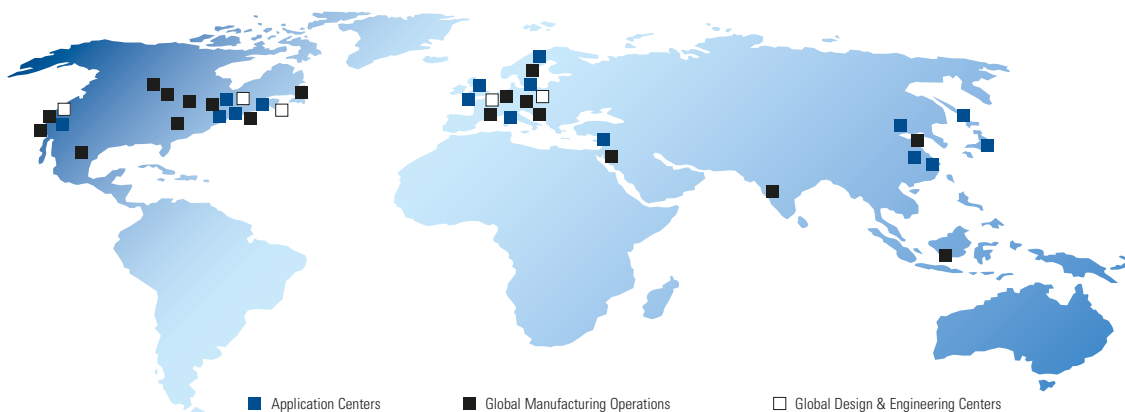
A Name You Can Trust

A wealth of product and application information as well as 3D models, software tools, our distributor locator and global contact information are available at www.thomsonlinear.com. Talk to us early in the design process to see how Thomson can help identify the optimal balance of performance, life and cost for your next application. And, call us or any of our 2000+ distribution partners around the world for fast delivery of replacement parts.

The Fortive Business System

The Fortive Business System (FBS) was established to increase the value we bring to customers. It is a mature and successful set of tools we use daily to continually improve manufacturing operations and product development processes. FBS is based on the principles of Kaizen which continuously and aggressively eliminate waste in every aspect of our business. FBS focuses the entire organization on achieving breakthrough results that create competitive advantages in quality, delivery and performance – advantages that are passed on to you. Through these advantages, Thomson is able to provide you faster times to market as well as unsurpassed product selection, service, reliability and productivity.

Local Support Around the Globe



Product Overview 4
 True Planetary Gearheads 6
 Helical Crowned True Planetary Gearheads..... 7
 PowerTRUE™ Right Angle Gearheads..... 8
 Gearhead Sizing and Selection 9
 Micron Quick Selection Guide..... 10
 Micron MOTIONEERING®..... 12
 RediMount™ Motor Mounting System..... 14

AquaTRUE™ Planetary Gearheads 15
 AquaTRUE™ Introduction..... 16
 AquaTRUE™ Dimensions 17
 AquaTRUE™ Specifications 18
 Radial and Axial Load Ratings..... 19

XTRUE™ Planetary Gearheads..... 20
 XTRUE™ Introduction 21
 XTRUE™ Dimensions..... 22
 XTRUE™ Specifications 23
 Radial and Axial Load Ratings..... 27

NemaTRUE™ Planetary Gearheads 28
 NemaTRUE™ Size 17..... 29
 NemaTRUE™ Size 23/60..... 30
 NemaTRUE™ Size 34/90..... 31
 NemaTRUE™ Size 42/115..... 32
 Radial and Axial Load Ratings..... 33

NemaTRUE 90™ Right Angle Gearheads 34
 NemaTRUE 90™ Size 23 35
 NemaTRUE 90™ Size 34 36
 NemaTRUE 90™ Size 42 37
 Radial and Axial Load Ratings..... 38

DuraTRUE™ Planetary Gearheads 40
 DuraTRUE™ Size 60..... 41
 DuraTRUE™ Size 90 42
 DuraTRUE™ Size 115 43
 DuraTRUE™ Size 142 44
 Radial and Axial Load Ratings..... 45

DuraTRUE 90™ Right Angle Gearheads 46
 DuraTRUE 90™ Size 60 47
 DuraTRUE 90™ Size 60S (Slim Line)..... 48
 DuraTRUE 90™ Size 90 49
 DuraTRUE 90™ Size 90S (Slim Line)..... 50
 DuraTRUE 90™ Size 115..... 51
 DuraTRUE 90™ Size 115S (Slim Line)..... 52
 DuraTRUE 90™ Size 142..... 53
 DuraTRUE 90™ Size 142S (Slim Line)..... 54
 Radial and Axial Load Ratings..... 55

**DuraTRUE 90™ (Hollow Shaft)
 Right Angle Gearheads 58**
 DuraTRUE 90™ Size 90H..... 59
 DuraTRUE 90™ Size 115H..... 60
 DuraTRUE 90™ Size 142H..... 61
 Radial and Axial Load Ratings..... 62

DuraTRUE 90™ (Dual Shaft) Right Angle Gearheads ... 64
 DuraTRUE 90™ Size 60D..... 65
 DuraTRUE 90™ Size 90D..... 66
 DuraTRUE 90™ Size 115D..... 67
 DuraTRUE 90™ Size 142D..... 68
 Radial and Axial Load Ratings..... 69

ValueTRUE™ Planetary Gearheads..... 70
 ValueTRUE Inline Dimensions 72
 ValueTRUE Right Angle Dimensions..... 73
 Inline Specifications: VT006-VT010..... 74
 Inline Specifications: VT115-VT022..... 75
 Right Angle Specifications: VTR006-VTR075..... 76
 Right Angle Specifications: VTR090-VTR010..... 77
 Right Angle Specifications: VTR115-VTR018..... 78
 Radial and Axial Load Ratings..... 79

UltraTRUE™ Helical Planetary Gearheads 82
 UltraTRUE™ Size 60..... 83
 UltraTRUE™ Size 75 84
 UltraTRUE™ Size 90 85
 UltraTRUE™ Size 10 86
 UltraTRUE™ Size 115 87
 UltraTRUE™ Size 14 88
 UltraTRUE™ Size 18 89
 UltraTRUE™ Size 22 90
 Radial and Axial Load Ratings..... 91

UltraTRUE 90™ Helical Right Angle Gearheads 94
 UltraTRUE 90™ Size 60 95
 UltraTRUE 90™ Size 75 96
 UltraTRUE 90™ Size 90 97
 UltraTRUE 90™ Size 10 98
 UltraTRUE 90™ Size 115..... 99
 UltraTRUE 90™ Size 14 100
 UltraTRUE 90™ Size 18 101
 Radial and Axial Load Ratings..... 102

EverTRUE™ Planetary Gearheads..... 104
 EverTRUE™ Size 10 105
 EverTRUE™ Size 14 106
 EverTRUE™ Size 18 107
 Radial and Axial Load Ratings..... 108

Gearhead Application Analysis Form..... 110
 Gearhead Ordering Information 112
 Custom Gearhead Options 113

*Micron True™ Planetary Gearheads
 shipped within 24 hours!*



*Need it fast? Go to the back cover
 of the catalog for details.*

AquaTRUE™

Features

- Precision: 13 arc-minutes
- Frame Sizes: 60 mm, 80 mm, 120 mm and 160 mm
- Torque Capacity: up to 876 Nm
- Ratio Availability: 3:1 thru 100:1
- Radial Load Capacity: up to 3730 N



XTRUE™

Features

- Precision: 13 arc-minutes
- Frame Sizes: 40 mm, 50 mm, 60 mm, 70 mm, 80 mm, 90 mm, 120 mm and 160 mm
- Torque Capacity: up to 876 Nm
- Ratio Availability: 3:1 thru 100:1
- Radial Load Capacity: up to 3730 N



NemaTRUE™

Features

- Precision: 13 arc-minutes
- Frame Sizes: 60 mm, 90 mm and 115 mm
- Torque Capacity: up to 180 Nm
- Ratio Availability: 3:1 thru 100:1
- Radial Load Capacity: up to 3730 N



**NemaTRUE 90™
Right Angle**

Features

- Precision: 13 arc-minutes
- Frame Sizes: 23 mm, 34 mm and 42 mm
- Torque Capacity: up to 255 Nm
- Ratio Availability: 1:1 thru 500:1
- Radial Load Capacity: up to 2900 N



DuraTRUE™

Features

- Precision: 8 arc-minutes
- Frame Sizes: 60 mm, 90 mm, 115 mm and 142 mm
- Torque Capacity: up to 834 Nm
- Ratio Availability: 3:1 thru 100:1
- Radial Load Capacity: up to 11150 N



**DuraTRUE 90™
Right Angle**

Features

- Precision: 8 arc-minutes
- Frame Sizes: 60 mm, 90 mm, 115 mm and 142 mm
- Torque Capacity: up to 842 Nm
- Ratio Availability: 1:1 thru 500:1
- Radial Load Capacity: up to 11150 N



**DuraTRUE 90™
Hollow Shaft**

Features

- Precision: 8 arc-minutes
- Frame Sizes: 90 mm, 115 mm and 142 mm
- Torque Capacity: up to 865 Nm
- Ratio Availability: 1:1 thru 500:1
- Radial Load Capacity: up to 11150 N



DuraTRUE 90™ Dual Shaft

Features

- Precision: 8 arc-minutes
- Frame Sizes: 60 mm, 90 mm, 115 mm and 142 mm
- Torque Capacity: up to 865 Nm
- Ratio Availability: 1:1 thru 500:1
- Radial Load Capacity: up to 11150 N



ValueTRUE™

Features

- Precision: 4 arc-minutes
- Frame Sizes: 60 mm, 75 mm, 90 mm, 100 mm, 115 mm, 140 mm, 180 mm and 220 mm
- Torque Capacity: up to 2969 Nm
- Ratio Availability: 4:1 thru 100:1
- Radial Load Capacity: up to 37910 N



ValueTRUE 90™ Right Angle

Features

- Precision: 4 arc-minutes
- Frame Sizes: 60 mm, 75 mm, 90 mm, 100 mm, 115 mm, 140 mm and 180 mm
- Torque Capacity: up to 2800 Nm
- Ratio Availability: 1:1 thru 50:1
- Radial Load Capacity: up to 37910 N



UltraTRUE™

Features

- Precision: 4 arc-minutes
- Frame Sizes: 60 mm, 75 mm, 90 mm, 100 mm, 115 mm, 140 mm, 180 mm and 220 mm
- Torque Capacity: up to 3300 Nm
- Ratio Availability: 4:1 thru 100:1
- Radial Load Capacity: up to 37910 N



UltraTRUE 90™ Right Angle

Features

- Precision: 4 arc-minutes
- Frame Sizes: 60 mm, 75 mm, 90 mm, 100 mm, 115 mm, 140 mm and 180 mm
- Torque Capacity: up to 3111 Nm
- Ratio Availability: 1:1 thru 50:1
- Radial Load Capacity: up to 37910 N



EverTRUE™ Continuous Duty

Features

- Precision: 4 arc-minutes
- Frame Sizes: 100 mm, 140 mm and 180 mm
- Torque Capacity: up to 1010 Nm
- Ratio Availability: 4:1 thru 100:1
- Radial Load Capacity: up to 44600 N

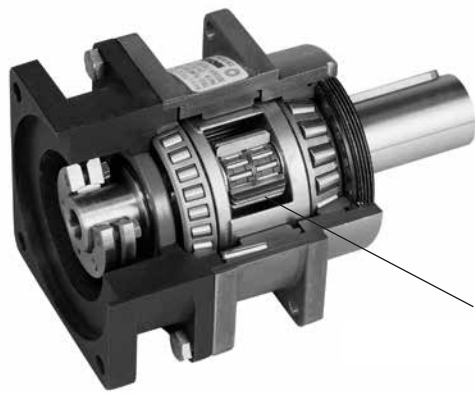


True™ Planetary Gearheads offer...

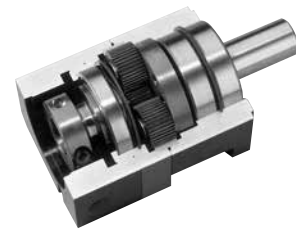
- High Torque-to-Size Ratio - allows compact design
- Low Backlash - eliminates positioning errors due to lost motion
- Inertia Matching - keeps servo system stable and in control
- High Rigidity - optimizes system response
- Self Relubrication - eliminates costly maintenance and downtime
- High Radial Load Capacity - mount pulleys and pinions directly on the output shaft



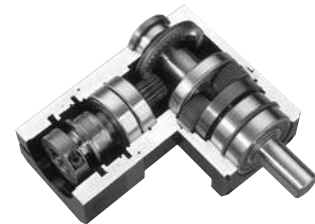
UltraTRUE™ output cage assembly



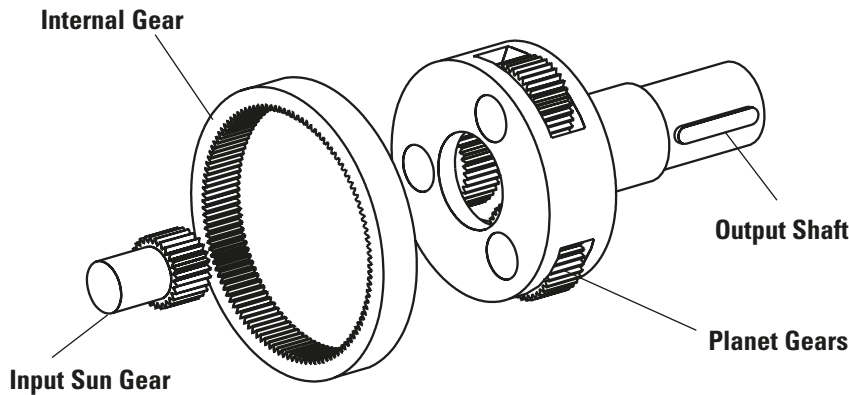
Planetary Gearing



DuraTRUE™ in-line planetary gearhead



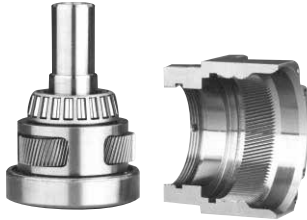
DuraTRUE 90™ right angle planetary gearhead



Gearhead	True Planetary gearing
AquaTRUE™	•
XTRUE™	•
NemaTRUE™	•
NemaTRUE 90™	•
DuraTRUE™	•
DuraTRUE 90™	•
UltraTRUE™	•
UltraTRUE 90™	•
ValueTRUE™	•
ValueTRUE 90™	•
EverTRUE™	

Helical Crowned True™ Planetary Gearing offers...

- High Torque Capacity
- Low Backlash
- Smooth Operation
- Greater Load Sharing
- Whisper Quiet



Output housing and helical internal gear are machined from a single piece of high strength steel

Helical gears are known for their quiet and smooth operation along with their ability to transmit higher loads than spur gears. Both of these features of helical gearing result from the improved contact ratio (effective teeth in mesh) over spur gears. Crowning is a modification to the gear tooth profile, which optimizes gear mesh alignment. It also enhances distribution of loading on the tooth flank, thereby reducing high stress regions which can result in surface pitting.



UltraTRUE™ in-line planetary gearhead

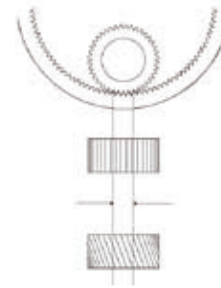
Planetary gearheads are often selected for high-precision motion control applications, which require a high torque-to-volume ratio, high torsional stiffness and low backlash. Until now, these attributes have been sufficient to meet the requirements of the market. Thomson has designed a high-torque, whisper-quiet helical gearhead to meet the recent improvements in servo motor technology.



UltraTRUE 90™ right angle planetary gearhead

Thomson engineers accomplished this by combining the positive attributes of gear crowning and helical gearing with the planetary construction to create the smoothest operating gearhead on the market.

Spur vs. Helical Gearing

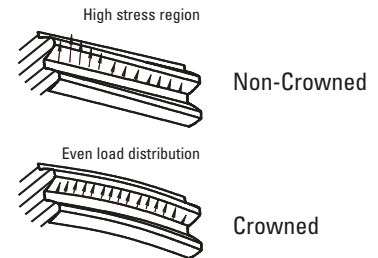


Typical contact ratio is 1.5 for spur gearing.

Contact ratio for equivalent helical gear is 3.3, more than double the contact ratio.

The contact ratio is defined as the number of teeth in mesh at any given time. The higher the contact ratio, the higher the torque rating of the gearing. **Helical gearing has more than 2X the contact ratio of spur gearing.**

Crowned vs. Non-crowned

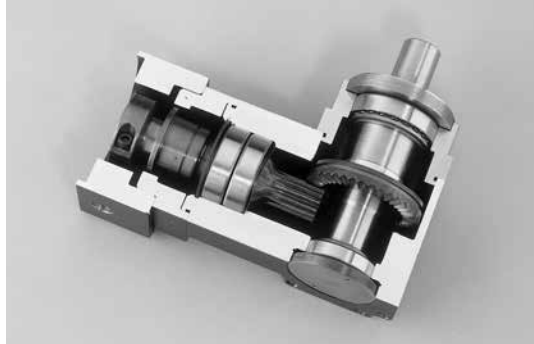


Crowning optimizes the gear mesh alignment within a gear train to increase the torque capacity and reduce noise. It also enhances load distribution on the tooth flank to reduce high stress regions.

Gearhead	Helical Crowned True Planetary gearing
AquaTRUE™	
XTRUE™	
NemaTRUE™	
NemaTRUE 90™	
DuraTRUE™	
DuraTRUE 90™	
UltraTRUE™	•
UltraTRUE 90™	•
ValueTRUE™	•
ValueTRUE 90™	•
EverTRUE™	•

PowerTRUE™ Right Angle Gearheads offer...

- Lower backlash accomplished through single-axis mesh adjustment
- A compact right-angle design utilizing a high-tech face gear
- Whisper-quiet operation due to high contact ratio
- Mesh ratios from 1:1 to 5:1
- 98% efficiency



PowerTRUE™ Gear



Computerized mapping of gear tooth profile



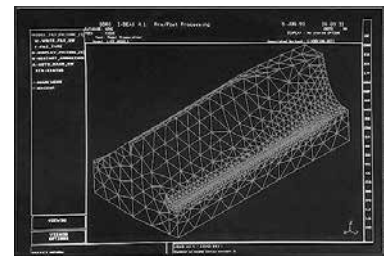
CNC machining of a PowerTRUE right-angle gear

PowerTRUE right angle gearset



Right-angle gear meshes are typically limited to ratios from 1:1 to 3:1 when using standard bevel gears. Compared to these designs, the PowerTRUE 90 gear increases the ratio range to 5:1.

The key to higher torque density is a unique tooth design, created by complex machining made practical with advanced CNC equipment and software. In the design, multiple teeth in the face gear simultaneously mesh with a standard involute pinion. The continuous tooth engagement yields a high contact ratio between the gear and the pinion, boosting torques to new levels and efficiency to 98%.



Advanced software enables stress analysis of PowerTRUE tooth profile

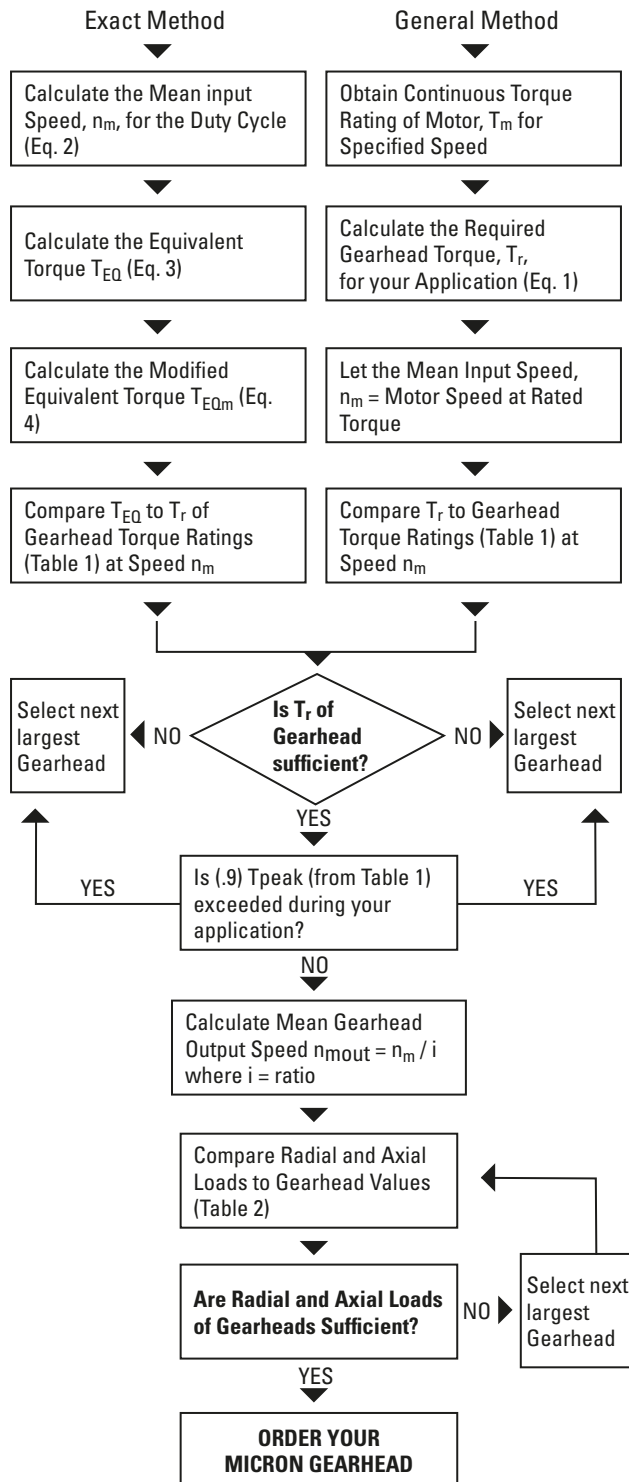
Gearhead	PowerTRUE gearing
AquaTRUE™	
XTRUE™	
NemaTRUE™	
NemaTRUE 90™	•
DuraTRUE™	
DuraTRUE 90™	•
UltraTRUE™	
UltraTRUE 90™	•
ValueTRUE™	
ValueTRUE 90™	•
EverTRUE™	

Sizing and Selection

Step 1: Select the required precision class and gearhead configuration (in-line or right angle).

Step 2: Select the proper gearhead using exact or general method.

For continuous duty applications, please contact Applications Engineering.



General Method:

Required Gearhead Torque(T_r)

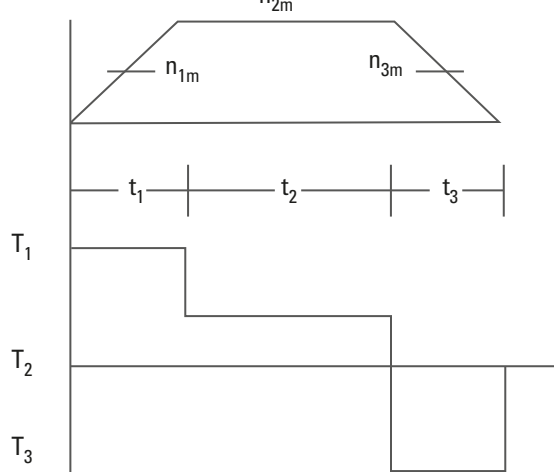
$$(1) T_r = T_M * x_i * e$$

where: T_M^* = continuous torque of motor
 i = Gearhead ratio
 e = efficiency of Gearhead

* Since many motors are capable of exceeding their continuous torque rating for extended lengths of time, the value for T_M will only provide a starting point for Gearhead selection. Only use the general method if the continuous motor rating is not exceeded in the application.

Exact Method

Motion Profile



t_n = time period n

n_{nm} = mean speed during time period t_n

T_n = torque during time period t_n

Mean input speed (n_m)

$$(2) n_m = \frac{n_{1m}t_1 + n_{2m}t_2 + n_{3m}t_3 + \dots + n_{nm}t_n}{t_t}$$

where $t_t = t_1 + t_2 + t_3 + \dots + t_n$

Equivalent torque (T_{EQ})

$$(3) T_{EQ} = \sqrt[8.7]{T_1^{8.7} \frac{n_{1m}t_1}{n_m t_t} + T_2^{8.7} \frac{n_{2m}t_2}{n_m t_t} + T_3^{8.7} \frac{n_{3m}t_3}{n_m t_t} + \dots + T_n^{8.7} \frac{n_{nm}t_n}{n_m t_t}}$$

Modified equivalent torque (T_{EQm})

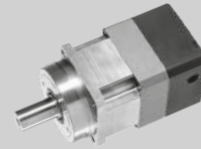
$$(4) T_{EQm} = (T_{EQ})/Q$$

where Q is:

Q	# of cycles/hr
1,0	>0
0,9	>1000
0,7	>2500
0,5	>5000

For applications > 10,000 cycles/hour or for continuous duty operation, please contact application engineering.

Micron® Quick Selection Guide



Product Line	UltraTRUE	ValueTRUE
Prefix	UT/UTR	VT/VTR
Maximum Backlash (for the product life) ⁽¹⁾	[arc/min] 4/5	4/5
Lower Backlash Option	N	N
Price Relationship	1.2 ×	0.7 ×
In-line Frame Sizes / Right Angle Frame Sizes	[mm] 60 - 220 / 60 - 140	60 - 220 / 60 - 140
In-line Ratio Availability / Right Angle Ratio Availability ⁽²⁾	4:1 - 100:1 / 1:1 - 50:1	4:1 - 100:1 / 1:1 - 50:1
Double Stage Available	Y	Y
Torque Capacity Relationship	2.8 ×	2.6 ×
True Planetary Gearing / Helical Crowned Gearing	Y / Y	Y / Y
Expected Noise Level	[db] 66	66
Modification Costs	Very Low	Low
Lubricated for Life	Y	Y
Efficiency	[%] 95	95
Dual and Hollow Shafts Available	N	N
Housing Material	Stainless and Aluminum	Stainless and Aluminum
3D CAD Models on Micron Motioneering	Y	Y
One Piece Output Shaft/Carrier / Internal Gear Machined into Housing	Y / Y	Y / Y
Maximum input speed ⁽³⁾	[RPM] 6000	6000
ROHS Compliant ⁽⁴⁾ / Case Hardened Gears (HRC60)	Y / Y	Y / Y
Gearhead Express ⁽⁵⁾	Y	Y
Low Temperature Grease Available / Food Grade Grease Available / NSF Certified ⁽⁶⁾	Y / Y / N	Y / Y / N
RediMount Compliant	Y	Y

(1) Backlash is measured at the output shaft, with the input fixed, using 2 % of the rated torque in both directions.

(2) Other ratios available, contact customer support for more information.

(3) Double stage AquaTRUE now available.

(4) Lower backlash, high precision available (8/9 arc-min).

(5) Gearhead express not available in frame sizes larger than 140 mm or dual and hollow shafts.

10 Reasons to Choose Micron Gearheads

1 RediMount™ – Fast and Error-Free Motor Mounting

The unique RediMount system will mount any Micron gearhead to any motor in just three simple steps in less than five minutes!

2 Easy Sizing and Selection with Micron Motioneering

Micron Motioneering is the most accurate and user-friendly gearhead sizing and design tool on the market. Try it at www.micronmotioneering.com.

Easy sizing and selection with
www.MicronMotioneering.com

3 Superior Technology

All Micron gears are case-hardened to HRC60 for longer life. Our UltraTRUE and ValueTRUE models have a higher helix angle (15°) than our competitors' helical gearheads, resulting in less backlash, smoother and quieter operation, and longer life.

4 Fast Deliveries

Micron offers 1 – 2-week standard lead times on all standard catalog products. For quicker shipping, use our 24-hour "Gearhead Express" delivery service, which is available for all models for just a 10% premium!

24-hour deliveries with
Micron Gearhead Express™

				
EverTRUE	DuraTRUE	NemaTRUE	XTRUE	AquaTRUE
ET	DT/DTR	NT/NTR	XT, XTA	AQT
4/5	8/9	13/15	13/15	13/15
N	N	Y ⁽⁴⁾	Y ⁽⁴⁾	Y ⁽⁴⁾
1.5 ×	1.0 ×	0.5 ×	0.4 ×	1.5 ×
100 - 180 / -	60 - 140 / 60 - 140	60 - 15 (23 - 42) / 60 - 115 (23 - 42)	40 - 160 / -	60 - 160 / -
4:1 - 100:1 / -	3:1 - 100:1 / 1:1 - 500:1	3:1 - 100:1 / 1:1 - 500:1	3:1 - 100:1 / -	3:1 - 100:1 / -
Y	Y	Y	Y	Y ⁽³⁾
2.8 ×	1.0 ×	0.7 ×	1.1 ×	1.1 ×
Y / N	Y / N	Y / N	Y / N	Y / N
68	68	68	68	68
Low	Very Low	Very Low	Low	Low
Y	Y	Y	Y	Y
95	93	93	93	93
N	Y	N	N	N
Stainless and Aluminum	Anodized Aluminum	Anodized Aluminum	Anodized Aluminum	100 % Stainless
Y	Y	Y	Y	Y
Y / Y	Y / N	Y / N	Y / N	Y / N
6000	6000	6000	6000	6000
Y / Y	Y / Y	Y / Y	Y / Y	Y / Y
Y	Y	Y	Y	N
Y / Y / N	Y / Y / N	Y / Y / N	Y / Y / N	Y / Y / Y
Y	Y	Y	Y	N

(6) Speeds greater than 6000 RPM need to be reviewed by application engineering.

(7) ROHS on right angle product is still being confirmed.

(8) The AquaTRUE is certified to NSF/ANSO STD 169.

(9) All products are dimensional drop in replacement, the catalog should be reviewed for length and width details.

5 Lubricated For Life

Micron gearheads require no maintenance and are grease filled. Unlike oil-filled units, they can be mounted in any orientation and will never leak.

6 Easy Customization

We welcome modification requests as well as "white paper" custom opportunities. The modular design of our products allows modifications to be easily implemented with small impacts to price and delivery.

7 Unmatched Product Breadth

Micron has the largest selection of planetary gearheads in the world with more than 3000 size and ratio combinations.

8 Unmatched Quality

All Micron gearheads are tested through our state-of-the-art end-of-line tester, making our outgoing quality the best in the market.

9 Commitment to New Product Development

Micron was first to launch an all-stainless steel, IP69K gearhead for the food and beverage market. The AquaTRUE is designed for the most harsh and corrosive environments.

10 Made in the USA

All Micron Gearheads are manufactured in the USA, making us able to respond to emergencies quickly and reducing downtime for our customers.

Micron MOTIONEERING®

The web-based sizing tool for Micron TRUE™ Planetary Gearheads

Have Micron MOTIONEERING do the application engineering work for you!

A way to optimize your machine design, save time and, ultimately, help you build a better machine, faster. Easy to use and it's free at www.MicronMOTIONEERING.com

Micron MOTIONEERING has three different modes of functionality:

1. Select By Requirements

Enter your application requirements in just a few easy steps to find the right gearhead for your application in the "Sizing and Selection" section.

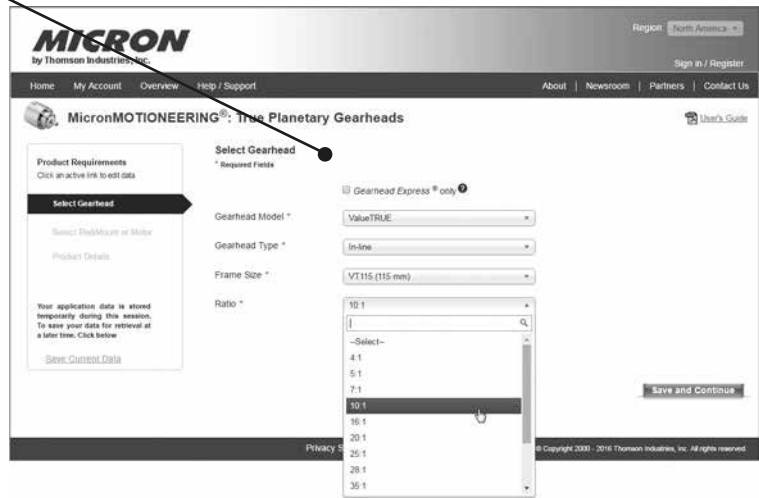
2. Select by Competitor Gearhead

Need a replacement for your current gearhead? Use our handy matrix to find the perfect drop-in replacement in only seconds.

3. Select by Model Number

Search by product line, model number, frame size and ratio in the "Select Gearheads by Model Number" section. Micron MOTIONEERING quickly provides a complete part number, pricing and delivery information. 3D models are also available for immediate download.

- Don't know your RediMount? Choose from hundreds of the most popular motors on the market today or enter in your motor dimensions manually.
- Not sure if your motor fits on a specific gearhead? The tool will let you know if you have chosen a combination that is outside of the standard guidelines.



Need a Gearhead in 24 hours? Use Gearhead Express!

The Micron MOTIONEERING tool lists all of the size and ratio combinations available to ship in 24 hours with the Gearhead Express Program.

Gearhead Sizing and Selection

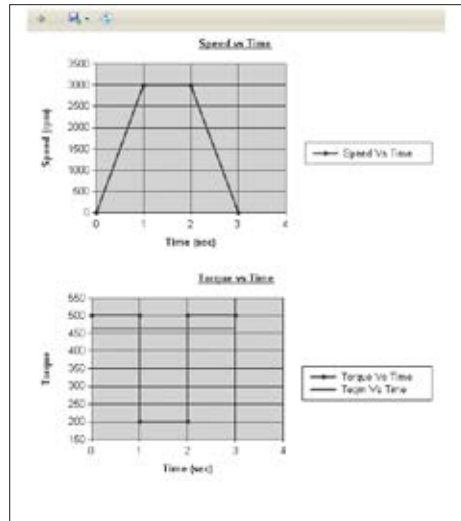
Follow these easy steps for sizing and selection:

- Select orientation (in-line or right angle).
- Select backlash requirement.
- Select from all of the ratios available for that combination.
- Select operation type whether cyclical or continuous duty.
- If needed, you may account for radial and axial loads on the output shaft.
- Select a specific torque and speed requirement or build an entire motion profile.
- The tool will calculate your Teq (equivalent torque) and display only solutions that will work in your application.
- If you do not know your RediMount, you can choose from a list of the most popular motors on the market today or enter your motor dimensions manually.

- Double check your configuration on the “Review Page.” Click any parameter to quickly edit if needed then view solutions to reveal a list available solutions, sorted by Gearhead Express Eligibility. You can also sort by any of the listed columns.
- The torque safety factor will also be listed for each solution to help maximize the gearhead life.
- The final output delivers pricing, a printable summary of the design solution, and the ability to save it for future use.
- Also available are 3D models of your unique solution in neutral file formats or native CAD files for all major software packages (25+ formats available).

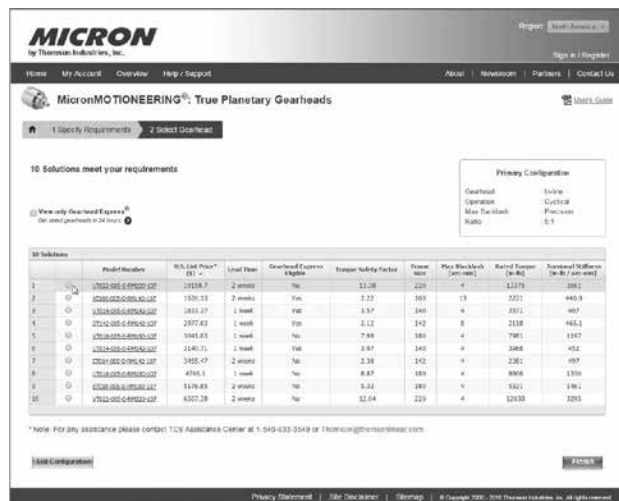


Use the Micron MOTIONEERING tool to help you build your motion profile.



Get started with Micron MOTIONEERING today!

- The Micron MOTIONEERING tool is very easy to use and is the fastest way to accurately size and select your next gearhead.
- Save money by seeing all the possible choices.
- Automatic calculations ensure the correct solution to fit your requirements.
- It does all of the work for you and gives you the correct solution to fit your requirements.



RediMount™ Motor Mounting System

Mounting Instructions

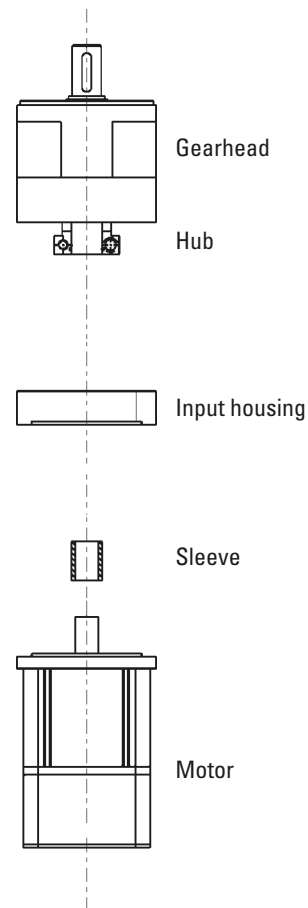
1. Slide the provided sleeve into the hub and align the slot in the bushing with the slot in the hub.
2. Set the motor on a work surface or hold fixture with the output shaft facing straight up. If there is a key on the motor, remove it and align the keyway with the slot in the hub. Slide the gearhead down onto the motor shaft.
3. Rotate the hub to align the input housing access holes with the hub clamping bolts.
4. Using a torque wrench, tighten the hub bolts to the pre-torque value indicated in the table.
5. Bolt the motor to the gearhead with the bolts provided.
6. Gradually tighten the hub bolts in three steps, increasing the torque each time until reaching the final tightening torque in the table.



Hub Bolt Tightening Torques

Gearhead Model	Gearhead Frame Size	Pre-Tightening Torque		Final Tightening Torque	
		in-lb	[Nm]	in-lb	[Nm]
AquaTRUE™	40	0.5	0.05	9.6	1.09
	60	2	0.2	39	4.4
	80	4	0.4	76	8.5
	120	16	1.8	316	36
	160	32	3.6	636	72
NemaTRUE™ NemaTRUE 90™	23/60	2	0.2	39	4.4
	34/90	4	0.4	76	8.5
	42/115	16	1.8	316	36.0
DuraTRUE™ DuraTRUE 90™	60	2	0.2	39	4.4
	90	4	0.4	76	8.5
	115	16	1.8	316	36.0
	142	32	3.6	636	72.0
UltraTRUE™ UltraTRUE 90™ ValueTRUE™ ValueTRUE90™ EverTRUE™	60	2	0.2	39	4.4
	75/90	4	0.4	76	8.5
	100/115	16	1.8	316	36.0
	140	32	3.6	636	72.0
	180	55	6.3	1104	125.0
XTRUE™	40	0.5	0.05	9.6	1.09
	60	2	0.2	39	4.4
	80	4	0.4	76	8.5
	120	16	1.8	316	36
	160	32	3.6	636	72

Gearhead must be mounted in vertical orientation.



AquaTRUE™

True™ Planetary Gearheads

Ready for Immediate Delivery	
Precision	13 arc-minutes
Frame Sizes	60, 80, 120 and 160 mm
Torque Capacity	up to 876 Nm
Ratio Availability	3:1 thru 100:1
Radial load capacity	up to 3730 N
Mounting System	RediMount™

① Silicone Gasket to Seal Motor-Gearhead Interface

② Round and Square Motor Mounts

③ 1pc Housing - No External Seams

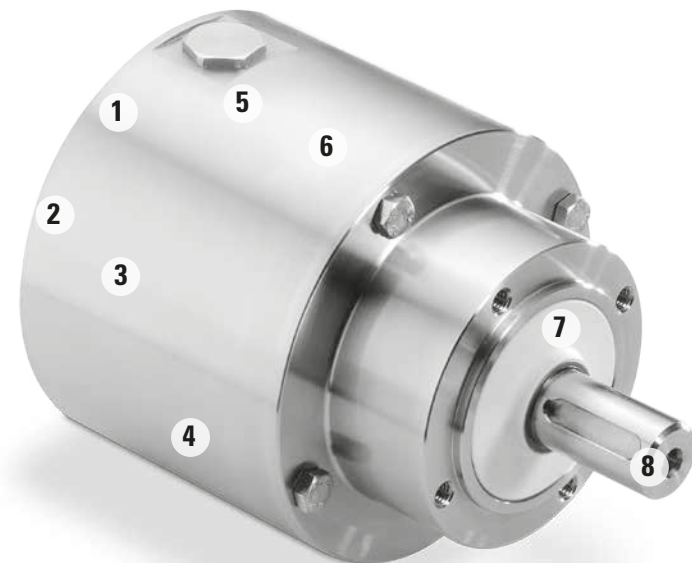
④ Permanent Product Label
(Laser Etched)

⑤ Tested for IP66, IP67 and IP69K Protection
Throughout

⑥ 300 Series Stainless Steel Housing

⑦ Non-Contact Labyrinth Seal for
Minimal Wear and Maximum Protection

⑧ Stainless Steel Output Shaft



AquaTRUE™

A revolutionary, corrosion resistant and watertight gearhead for the most demanding applications.

Introduction

Micron's AquaTRUE gearhead combines the high performance and torque capacity of Micron's TRUE Planetary gearheads with features specifically designed to meet the strict requirements of applications such as food and beverage handling, packaging and dispensing. The AquaTRUE's IP66/IP67 and IP69K protection is able to handle caustic cleaning chemicals as well as high pressure washdown. Until now, manufacturers have been unable to use gearheads in many applications involving harsh environments because there was not a product available that met those needs. The AquaTRUE is engineered to be placed anywhere in the application's design, regardless of environmental factors. This eliminates the cost of additional components such as enclosers, shielding or mechanical transmissions.

The gearhead's 304 stainless steel housing eliminates the concern for rust or any type of corrosion. The AquaTRUE has a laser etched permanent product label and a smooth, round external housing that is designed without any external seams or corners for bacteria to collect. This makes the AquaTRUE very easy to clean and a perfect fit in any washdown environment.

- Frame Sizes: 60, 80, 120 and 160 mm
- Precision: 13 arc-min max
- Torque Capacity: up to 876 Nm
- Ratio Availability: 3:1 to 10:1 (single stage), 15:1 to 100:1 (double stage)

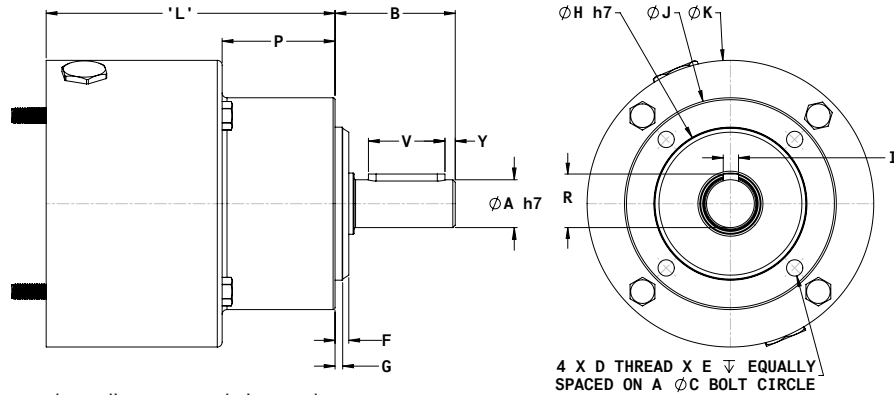
Features and Benefits

- Round housing
- No external seams
- 300 Series stainless steel
- IP66/IP67 and IP69K protection on both the input and output
- NSF/ANSI 169 certification
- No corners or areas for bacteria to collect
- No areas of ingress
- Corrosion resistance
- Can handle high-pressure washdown



AquaTRUE™

True™ Planetary Gearheads



* 'L' Dimension will change depending on motor being used.
 Note: Mounting adapters available for both round and square motors.

Dimensions

Part Number	A	B	Y	V	R	I	H	J
	Output Shaft Diameter mm [in]	Output Shaft Length mm [in]	Shaft End Distance mm [in]	Keyway Length mm [in]	Keyway Height mm [in]	Key Width mm [in]	Pilot Diameter mm [in]	Body Diameter mm [in]
AQT060	14 [0.55]	38 [1.51]	2.5 [0.10]	25 [0.98]	16 [0.63]	5 [0.20]	43 [1.69]	60 [2.36]
AQT080	20 [0.79]	42.4 [1.67]	4.0 [0.16]	28 [1.10]	22.5 [0.89]	6 [0.24]	60 [2.36]	80 [3.15]
AQT120	25 [0.98]	59.5 [2.34]	5 [0.20]	40 [1.57]	28 [1.10]	8 [0.31]	80 [3.15]	110.5 [4.36]
AQT160	40 [1.57]	90.5 [3.57]	8.0 [0.32]	65 [2.55]	43 [1.69]	12 [0.47]	105 [4.13]	140 [5.50]

Part Number	F	G	D	Q	K	* L		C	P	
	Pilot Length mm [in]	Seal Length mm [in]	Output Housing Thread	Thread Depth mm [in]	Input Body Diameter mm [in]	Standard Length mm [in]	ratio	Bolt Circle mm [in]	Output Body Length mm [in]	
AQT060	6.9 [0.27]	2.5 [0.10]	M5x0.8-6H	12 [0.47]	92 [3.62]	91.6 [3.61]	3:1 - 10:1	109.1 [4.29]	52 [2.05]	38.5 [1.51]
AQT080	6.3 [0.25]	3.0 [0.12]	M6x1.0-6H	16 [0.63]	114.5 [4.51]	120.7 [4.75]	15:1 - 100:1	143.6 [5.65]	70 [2.76]	31.8 [1.25]
AQT120	7.6 [0.30]	4.0 [0.16]	M10x1.5-6H	22 [0.87]	150 [5.9]	149 [5.87]		180.3 [7.10]	95 [3.74]	58.9 [2.32]
AQT160	8.6 [0.34]	5.0 [0.20]	M12x1.75-6H	36 [1.42]	188.7 [7.43]	151 [5.95]		244.6 [9.63]	120.7 [4.75]	76.6 [3.02]

Specifications

Part Number	Stages	Backlash (arc-min)	Efficiency	Weight		Ratio Availability
				kg	[lbs]	
AQT060	1	13	93%	2.4	[5.4]	3:1, 4:1, 5:1, 7:1; 10:1
	2	15	88%	3.3	[7.3]	15:1, 20:1, 25:1, 30:1, 40:1, 50:1; 70:1; 100:1
AQT080	1	13	93%	5.7	[12.7]	3:1, 4:1, 5:1, 7:1; 8:1; 10:1
	2	15	88%	7.2	[15.9]	15:1, 20:1, 25:1, 30:1, 40:1, 50:1; 70:1; 80:1; 100:1
AQT120	1	13	93%	12.0	[26.5]	3:1, 4:1, 5:1, 7:1; 10:1
	2	15	88%	15.4	[33.9]	15:1, 20:1, 25:1, 30:1, 40:1, 50:1; 70:1; 100:1
AQT160	1	13	93%	24.8	[53.8]	3:1, 4:1, 5:1, 7:1; 10:1
	2	15	88%	31.2	[68.8]	15:1, 20:1, 25:1, 30:1, 40:1, 50:1; 70:1; 100:1

T_r = Rated output torque at rated speed for specific hours of life.
 T_{peak} = Allowable momentary peak torque for emergency stop or heavy shock loading.
 J = Mass moment of inertia reflected to the input shaft (including pinion assembly).
 Specifications subject to change without notice.

AquaTRUE™

True™ Planetary Gearheads

Performance Specifications

Part Number	Ratio	20,000 Hour Life				T Peak Nm [in-lb]	J kg-cm2 [in-lb sec2*10-4]	Torsional Stiffness Nm/arc-min [in-lb/arc-min]	
		Tr (1000 rpm) Nm [in-lb]	Tr (2000 rpm) Nm [in-lb]	Tr (3000 rpm) Nm [in-lb]	Tr (4000 rpm) Nm [in-lb]				
AQT060	AQT060-003	3:1	16 [139]	13 [112]	12 [102]	11 [93]	55 [483]	0.572 [5.066]	1.49 [13.17]
	AQT060-004	4:1	20 [177]	17 [149]	15 [130]	14 [121]	46 [409]	0.457 [4.047]	1.47 [12.97]
	AQT060-005	5:1	18 [158]	15 [130]	13 [112]	12 [102]	48 [427]	0.408 [3.615]	1.45 [12.79]
	AQT060-007	7:1	17 [149]	14 [121]	12 [102]	11 [93]	43 [381]	0.367 [3.245]	1.40 [12.41]
	AQT060-010	10:1	16 [139]	15 [130]	14 [121]	13 [112]	47 [418]	0.347 [3.068]	1.36 [12.07]
	AQT060-015	15:1	26 [232]	21 [186]	19 [167]	17 [149]	55 [483]	0.387 [3.424]	1.49 [13.14]
	AQT060-020	20:1	27 [242]	25 [223]	22 [195]	21 [186]	48 [427]	0.385 [3.408]	1.47 [13.00]
	AQT060-025	25:1	25 [223]	23 [204]	20 [177]	19 [167]	55 [483]	0.384 [3.400]	1.45 [12.85]
	AQT060-030	30:1	29 [260]	26 [232]	23 [204]	21 [186]	55 [483]	0.340 [3.006]	1.49 [13.18]
	AQT060-040	40:1	28 [251]	27 [242]	27 [242]	25 [223]	48 [427]	0.339 [3.002]	1.47 [13.04]
AQT080	AQT080-003	3:1	59 [520]	48 [427]	43 [381]	39 [344]	165 [1459]	2.433 [21.5]	6.21 [54.96]
	AQT080-004	4:1	70 [623]	58 [511]	53 [465]	48 [427]	165 [1459]	1.929 [17.1]	6.19 [54.81]
	AQT080-005	5:1	65 [576]	53 [465]	47 [418]	43 [381]	165 [1459]	1.692 [15.0]	6.12 [54.18]
	AQT080-007	7:1	63 [558]	50 [446]	45 [400]	40 [353]	165 [1459]	1.472 [13.0]	5.70 [50.41]
	AQT080-008	8:1	62 [549]	49 [434]	45 [398]	42 [372]	165 [1460]	1.426 [12.6]	5.53 [48.98]
	AQT080-010	10:1	54 [474]	48 [427]	45 [400]	43 [381]	165 [1459]	1.387 [12.3]	5.83 [51.62]
	AQT080-015	15:1	90 [799]	78 [688]	69 [613]	63 [558]	175 [1552]	1.605 [14.2]	6.18 [54.70]
	AQT080-020	20:1	92 [818]	88 [781]	81 [716]	75 [660]	175 [1552]	1.598 [14.1]	6.18 [54.67]
	AQT080-025	25:1	87 [771]	83 [734]	76 [669]	69 [613]	175 [1552]	1.594 [14.1]	6.11 [54.10]
	AQT080-030	30:1	100 [883]	90 [799]	85 [753]	78 [688]	175 [1552]	1.367 [12.1]	6.18 [54.68]
AQT120	AQT120-003	3:1	90 [799]	74 [650]	65 [576]	59 [520]	298 [2639]	9.014 [79.8]	13.58 [120.15]
	AQT120-004	4:1	107 [948]	89 [790]	79 [697]	74 [650]	298 [2639]	7.286 [64.5]	13.49 [119.36]
	AQT120-005	5:1	99 [873]	81 [716]	71 [632]	65 [576]	298 [2639]	6.484 [57.4]	13.37 [118.32]
	AQT120-007	7:1	97 [855]	79 [697]	68 [604]	63 [558]	298 [2639]	5.746 [50.9]	12.96 [114.65]
	AQT120-010	10:1	87 [771]	79 [697]	74 [650]	69 [613]	298 [2639]	5.376 [47.6]	12.12 [107.27]
	AQT120-015	15:1	146 [1292]	119 [1050]	105 [929]	96 [846]	298 [2639]	6.161 [54.5]	13.40 [118.60]
	AQT120-020	20:1	169 [1496]	139 [1227]	124 [1097]	114 [1013]	298 [2639]	6.137 [54.3]	13.32 [117.90]
	AQT120-025	25:1	161 [1422]	130 [1152]	116 [1022]	106 [939]	298 [2639]	6.199 [54.9]	13.38 [118.36]
	AQT120-030	30:1	180 [1589]	146 [1292]	129 [1143]	119 [1050]	298 [2639]	5.298 [46.9]	13.39 [115.53]
	AQT120-040	40:1	187 [1654]	169 [1496]	150 [1329]	139 [1227]	298 [2639]	5.292 [46.8]	13.47 [119.22]
AQT160	AQT160-003	3:1	317 [2806]	257 [2277]	228 [2016]	209 [1849]	876 [7750]	36.396 [322.13]	46.71 [413.39]
	AQT160-004	4:1	371 [3280]	305 [2695]	272 [2407]	251 [2221]	876 [7750]	26.642 [235.80]	46.16 [408.73]
	AQT160-005	5:1	350 [3094]	284 [2509]	251 [2221]	230 [2035]	876 [7750]	22.246 [196.89]	45.43 [402.08]
	AQT160-007	7:1	344 [3048]	278 [2463]	246 [2174]	225 [1989]	876 [7750]	18.551 [164.19]	43.44 [384.46]
	AQT160-010	10:1	222 [1961]	198 [1756]	185 [1635]	175 [1552]	876 [7750]	16.606 [146.97]	40.98 [362.68]
	AQT160-015	15:1	508 [4498]	417 [3689]	370 [3271]	339 [3001]	876 [7750]	19.892 [176.06]	45.19 [399.89]
	AQT160-020	20:1	513 [4544]	481 [4256]	428 [3791]	395 [3494]	876 [7750]	19.721 [174.55]	46.39 [410.38]
	AQT160-025	25:1	492 [4358]	460 [4070]	407 [3605]	374 [3308]	876 [7750]	19.632 [173.75]	45.62 [403.72]
	AQT160-030	30:1	562 [4971]	508 [4498]	455 [4024]	417 [3689]	876 [7750]	15.971 [141.36]	46.82 [413.83]
	AQT160-040	40:1	536 [4739]	513 [4544]	500 [4423]	481 [4256]	876 [7750]	15.971 [141.36]	46.37 [410.36]

Tr = Rated output torque at rated speed for specific hours of life.
Tpeak = Allowable momentary peak torque for emergency stop or heavy shock loading.
J = Mass moment of inertia reflected to the input shaft (including pinion assembly).

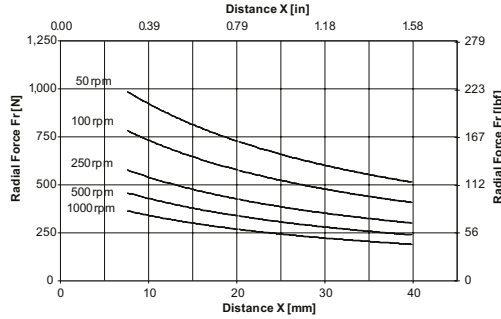
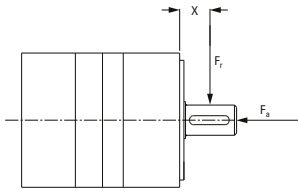
Specifications subject to change without notice.

AquaTRUE™

True™ Planetary Gearheads

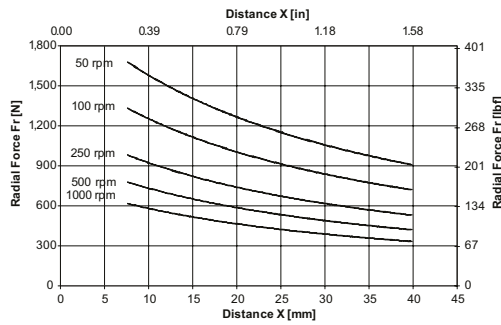
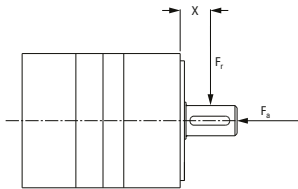
Radial and Axial Load Ratings

AQT060



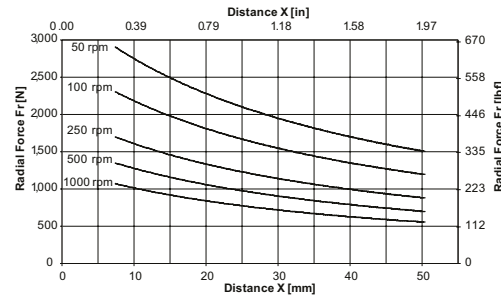
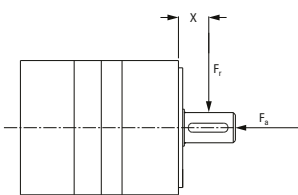
Speed rpm	Axial Load, F_a N [lb _f]
50	2542 [571]
100	2017 [454]
250	1486 [334]
500	1180 [265]
1000	936 [211]

AQT080



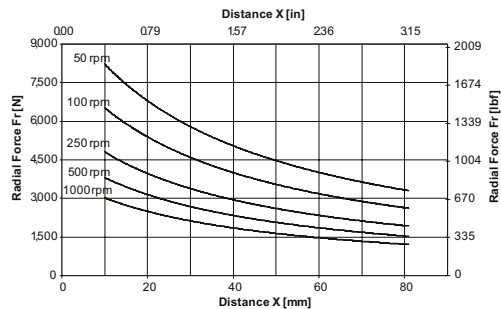
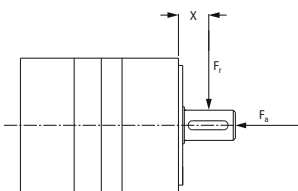
Speed rpm	Axial Load, F_a N [lb _f]
50	3780 [850]
100	3000 [675]
250	2211 [497]
500	1755 [394]
1000	1393 [313]

AQT120



Speed rpm	Axial Load, F_a N [lb _f]
50	6894 [1550]
100	5471 [1230]
250	4034 [907]
500	3203 [720]
1000	2540 [571]

AQT160



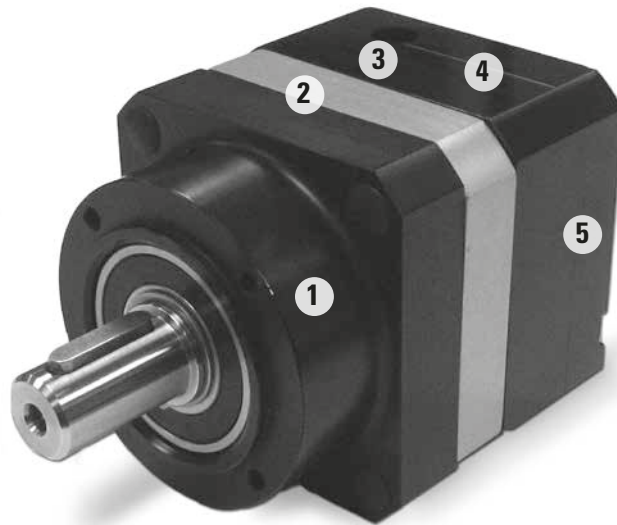
Speed rpm	Axial Load, F_a N [lb _f]
50	14,122 [3175]
100	11,209 [2520]
250	8260 [1857]
500	6556 [1474]
1000	5204 [1170]

These graphs display the allowable radial load at a given distance (X) from the mounting surface based on an L_{10} life of 20,000 hours for the mean output speed.

True™ Planetary Gearheads

Ready for Immediate Delivery	
Precision	13 arc-minutes
Frame Sizes	40 mm, 50 mm, 60 mm, 70 mm , 80 mm, 90 mm, 120 mm and 160 mm
Torque Capacity	up to 876 Nm
Ratio Availability	3:1 thru 100:1
Radial load capacity	up to 3730 N
Mounting System	RediMount™

- ① **Sealed deep groove ball bearings**
provide high radial load carrying capability
- ② **HRC 55-60 steel gears**
provide superior wear resistance
and increased backlash integrity
- ③ **Sealed deep groove ball bearing**
provides precision alignment of sun gear
- ④ **RediMount™ system**
provides error-free motor installation
- ⑤ **Anodized aluminum housing**
reduces weight and prevents corrosion



XTRUE™

True™ Planetary Gearheads

Introduction

The XTRUE Series is a new precision gearhead that complements our True Planetary gearhead line, already the largest selection of planetary gearheads in the world.

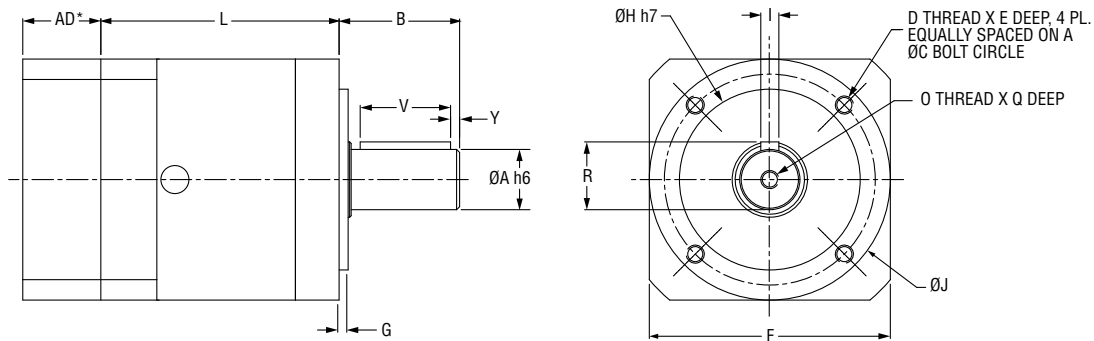
Features and Benefits

- Frame sizes (8): 40mm, 50 mm, 60mm, 70 mm, 80mm, 90 mm, 120mm and 160mm
- Precision: 13 arc-mins
- Torque capacity: up to 876 Nm
- Ratio availability: 3:1 thru 100:1
- Move a larger load more easily and quietly with True planetary gearing through improved load capacity, lower backlash and quieter operation.
- Experience less downtime with the flexible mounting system: RediMount system mounts to any motor in three easy steps: align, mount and tighten.
- Simplify replacement with the tapped face output, which enables easy drop-in replacement.
- Go green on your machine when the assembly and all components meet EU Directive 2002/95/EC (RoHS)

XTRUE™

True™ Planetary Gearheads

XT



*AD = Adapter Length
Adapter Length will vary depending on motor. Consult customer service for details.

Dimensions

Part Number	A Output Shaft Diameter mm [in]	B Output Shaft Length mm [in]	Y Shaft End Distance mm [in]	V Keyway Length mm [in]	R Keyway Height mm [in]	I Key Width mm [in]	H Pilot Diameter mm [in]	J Body Diameter mm [in]	G Pilot Length mm [in]
XT040	10 [0.39]	26 [1.02]	2.5 [0.10]	18 [0.71]	11.2 [0.44]	3 [0.12]	26 [1.02]	40 [1.57]	2 [0.08]
XT060	14 [0.55]	35 [1.37]	2.5 [0.10]	25 [0.98]	16 [0.63]	5 [0.20]	40 [1.57]	60 [2.36]	3 [0.12]
XT080	20 [0.79]	40 [1.57]	4.0 [0.16]	28 [1.10]	22.5 [0.89]	6 [0.24]	60 [2.36]	80 [3.15]	3 [0.12]
XT120	25 [0.98]	55 [2.16]	5.0 [0.20]	40 [1.57]	28 [1.10]	8 [0.31]	80 [3.15]	115 [4.53]	4 [0.16]
XT160	40 [1.57]	87 [3.42]	8.0 [0.32]	65 [2.55]	43 [1.69]	12 [0.47]	130 [5.12]	160 [6.30]	5 [0.20]

Dimensions

Part Number	D Thread	E Thread Depth mm [in]	O Output Shaft Thread	Q Thread Depth mm [in]	F Flange Square mm [in]	L Length mm [in]		C Bolt Circle mm [in]
						3:1 - 10:1	15:1 - 100:1	
XT040	M4	6 [0.24]	M3	9 [0.35]	42 [1.65]	36.5 [1.43]	49.5 [1.94]	34 [1.34]
XT060	M5	8 [0.31]	M5	12 [0.47]	61 [2.40]	51 [2.00]	68 [2.67]	52 [2.05]
XT080	M6	10 [0.39]	M6	16 [0.63]	90 [3.54]	67 [2.64]	90 [3.54]	70 [2.76]
XT120	M10	16 [0.63]	M10	22 [0.87]	119 [4.53]	87.3 [3.44]	179 [4.67]	100 [3.94]
XT160	M12	20 [0.79]	M16	36 [1.42]	142 [5.59]	119.6 [4.71]	168.9 [6.65]	145 [5.71]

Specifications

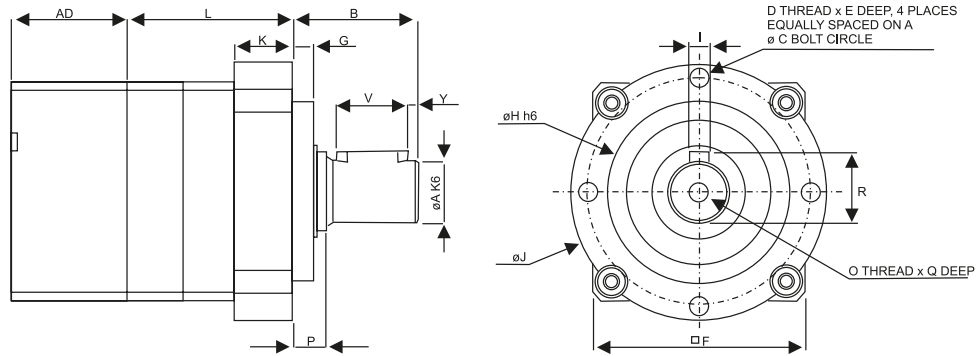
Part Number	Stages	Backlash (arc-min)	Efficiency	Weight		Ratio Availability
				kg	[lbs]	
XT040	1	13	93%	0.45	[1.0]	3:1, 4:1, 5:1, 7:1, 10:1
	2	15	88%	0.5	[1.1]	15:1, 20:1, 25:1, 30:1, 40:1, 50:1, 70:1, 100:1
XT060	1	13	93%	1.0	[2.2]	3:1, 4:1, 5:1, 7:1, 10:1
	2	15	88%	1.2	[2.6]	15:1, 20:1, 25:1, 30:1, 40:1, 50:1, 70:1, 100:1
XT080	1	13	93%	3.0	[6.6]	3:1, 4:1, 5:1, 7:1, 8:1, 10:1
	2	15	88%	3.7	[8.1]	15:1, 20:1, 25:1, 30:1, 40:1, 50:1, 70:1, 80:1, 100:1
XT120	1	13	93%	5.7	[12.5]	3:1, 4:1, 5:1, 7:1, 10:1
	2	15	88%	7.3	[16.1]	15:1, 20:1, 25:1, 30:1, 40:1, 50:1, 70:1, 100:1
XT160	1	13	93%	12.8	[28.2]	3:1, 4:1, 5:1, 7:1, 10:1
	2	15	88%	17.2	[37.8]	15:1, 20:1, 25:1, 30:1, 40:1, 50:1, 70:1, 100:1

Specifications subject to change without notice.

XTRUE™

True™ Planetary Gearheads

XTA



*AD = Adapter Length
 Adapter Length will vary depending on motor. Consult customer service for details.

Dimensions

Part Number	A Output Shaft Diameter mm [in]	B Output Shaft Length mm [in]	Y Shaft End Distance mm [in]	V Keyway Length mm [in]	R Keyway Height mm [in]	I Key Width mm [in]	H Pilot Diameter mm [in]	J Output Body Diameter mm [in]	G Pilot Length mm [in]
XTA050	12 [0.47]	24.5 [0.97]	2 [0.079]	14 [0.55]	13.5 [0.53]	4 [0.16]	35 [1.38]	50 [1.97]	4 [0.16]
XTA070	16 [0.79]	36 [1.42]	2 [0.079]	25 [0.98]	18 [0.71]	5 [0.20]	52 [2.05]	70 [2.76]	5 [0.20]
XTA090	22 [0.87]	46 [1.81]	2 [0.079]	32 [1.26]	24.5 [0.96]	6 [0.24]	68 [2.68]	90 [3.54]	5 [0.20]
XTA120	32 [1.26]	70 [2.76]	4 [0.16]	50 [1.97]	35 [1.39]	10 [0.40]	90 [3.54]	120 [4.72]	6 [0.24]

Dimensions

Part Number	D Output Housing Thread	E Thread Depth mm [in]	O Output Shaft Thread mm [in]	Q Thread Depth mm [in]	F Square Size mm [in]	K Output Body Length mm [in]	L Length mm [in]		C Bolt Circle mm [in]
							3:1 - 10:1	15:1 - 100:1	
XTA050	M4x0.7-6H	8 [0.32]	M4x0.7-6H	8 [0.32]	42 [1.65]	11.7 [0.46]	33 [1.29]	46 [1.80]	44 [1.73]
XTA070	M5x0.8-6H	10 [0.40]	M5x0.8-6H	10 [0.40]	61 [2.40]	34.1 [1.34]	49 [1.93]	66.5 [2.62]	62 [2.44]
XTA090	M6x1.0-6H	12 [0.47]	M8x1.25-6H	13 [0.51]	90 [3.54]	24.5 [0.96]	65 [2.55]	87.5 [3.45]	80 [3.15]
XTA120	M8x1.25-6H	16 [0.63]	M12x1.75-6H	22 [0.87]	115 [4.53]	33.1 [1.30]	85.5 [3.36]	117 [4.60]	108 [4.25]

Specifications

Part Number	Stages	Backlash (arc-min)	Efficiency	Weight		Ratio Availability
				kg	[lbs]	
XTA050	1	13	93%	0.45	[1.0]	3:1, 4:1, 5:1, 7:1, 10:1
	2	15	88%	0.5	[1.1]	15:1, 20:1, 25:1, 30:1, 40:1, 50:1, 70:1, 100:1
XTA070	1	13	93%	1.0	[2.2]	3:1, 4:1, 5:1, 7:1, 10:1
	2	15	88%	1.2	[2.6]	15:1, 20:1, 25:1, 30:1, 40:1, 50:1, 70:1, 100:1
XTA090	1	13	93%	3.0	[6.6]	3:1, 4:1, 5:1, 7:1, 8:1, 10:1
	2	15	88%	3.7	[8.1]	15:1, 20:1, 25:1, 30:1, 40:1, 50:1, 70:1, 80:1, 100:1
XTA120	1	13	93%	5.7	[12.5]	3:1, 4:1, 5:1, 7:1, 10:1
	2	15	88%	7.3	[16.1]	15:1, 20:1, 25:1, 30:1, 40:1, 50:1, 70:1, 100:1

Specifications subject to change without notice.

Performance Specifications

Part Number	Ratio	20000 Hour Life				T _{peak} Nm [in-lb]	J kg-cm ² [in-lb-sec ² *10 ⁻⁴]	Torsional Stiffness Nm/arc-min [in-lb/arc-min]	
		T _r (1000 rpm) Nm [in-lb]	T _r (2000 rpm) Nm [in-lb]	T _r (3000 rpm) Nm [in-lb]	T _r (4000 rpm) Nm [in-lb]				
XT040	XT040-003	3:1	5.2 [46]	4.2 [37]	3.7 [33]	3.4 [30]	15.6 [138]	0.078 [0.690]	0.7 [6.2]
	XT040-004	4:1	5.54 [49]	4.41 [39]	3.95 [35]	3.62 [32]	16.5 [146]	0.057 [0.51]	0.7 [6.2]
	XT040-005	5:1	6.1 [54]	5.3 [47]	3.6 [32]	4.3 [38]	18.3 [162]	0.048 [0.425]	0.7 [6.2]
	XT040-007	7:1	6.1 [54]	4.97 [44]	4.41 [39]	4.07 [36]	18.3 [162]	0.042 [0.37]	0.7 [6.2]
	XT040-010	10:1	5.8 [51]	4.6 [41]	4.1 [36]	3.7 [33]	17.2 [152]	0.038 [0.336]	0.7 [6.2]
	XT040-015	15:1	8.4 [74]	6.8 [60]	6.0 [53]	5.5 [49]	25.2 [223]	0.045 [0.398]	0.7 [6.2]
	XT040-020	20:1	8.93 [79]	7.23 [64]	6.44 [57]	5.88 [52]	26.66 [236]	0.045 [0.398]	0.7 [6.2]
	XT040-025	25:1	9.3 [82]	7.6 [67]	6.7 [59]	6.1 [54]	27.8 [246]	0.045 [0.398]	0.7 [6.2]
	XT040-030	30:1	9.5 [84]	8.4 [74]	7.5 [66]	6.8 [60]	28.6 [253]	0.037 [0.328]	0.7 [6.2]
	XT040-040	40:1	10.96 [97]	8.93 [79]	7.91 [70]	7.23 [64]	32.88 [291]	0.037 [0.328]	0.7 [6.2]
XTA050	XTA050-003	3:1	5.2 [46]	4.2 [37]	3.7 [33]	3.4 [30]	15.6 [138]	0.077 [0.682]	0.7 [6.2]
	XTA050-004	4:1	5.54 [49]	4.41 [39]	3.95 [35]	3.62 [32]	16.5 [146]	0.057 [0.50]	0.7 [6.2]
	XTA050-005	5:1	6.1 [54]	5.3 [47]	3.6 [32]	4.3 [38]	18.3 [162]	0.048 [0.425]	0.7 [6.2]
	XTA050-007	7:1	6.1 [54]	4.97 [44]	4.41 [39]	4.07 [36]	18.3 [162]	0.042 [0.37]	0.7 [6.2]
	XTA050-010	10:1	5.8 [51]	4.6 [41]	4.1 [36]	3.7 [33]	17.2 [152]	0.038 [0.336]	0.7 [6.2]
	XTA050-015	15:1	8.4 [74]	6.8 [60]	6.0 [53]	5.5 [49]	25.2 [223]	0.045 [0.398]	0.7 [6.2]
	XTA050-020	20:1	8.93 [79]	7.23 [64]	6.44 [57]	5.88 [52]	26.66 [236]	0.045 [0.398]	0.7 [6.2]
	XTA050-025	25:1	9.3 [82]	7.6 [67]	6.7 [59]	6.1 [54]	27.8 [246]	0.045 [0.398]	0.7 [6.2]
	XTA050-030	30:1	9.5 [84]	8.4 [74]	7.5 [66]	6.8 [60]	28.6 [253]	0.037 [0.328]	0.7 [6.2]
	XTA050-040	40:1	10.96 [97]	8.93 [79]	7.91 [70]	7.23 [64]	32.88 [291]	0.037 [0.328]	0.7 [6.2]
XT060	XT060-003	3:1	16 [139]	13 [112]	12 [102]	11 [93]	55 [483]	0.52 [4.6]	1.8 [15.9]
	XT060-004	4:1	20 [177]	17 [149]	15 [130]	14 [121]	46 [409]	0.46 [4.1]	1.8 [15.9]
	XT060-005	5:1	18 [158]	15 [130]	13 [112]	12 [102]	48 [427]	0.46 [4.1]	1.8 [15.9]
	XT060-007	7:1	17 [149]	14 [121]	12 [102]	11 [93]	43 [381]	0.46 [4.1]	1.8 [15.9]
	XT060-010	10:1	16 [139]	15 [130]	14 [121]	13 [112]	47 [418]	0.44 [3.9]	1.8 [15.9]
	XT060-015	15:1	26 [232]	21 [186]	19 [167]	17 [149]	55 [483]	0.46 [4.1]	1.8 [15.9]
	XT060-020	20:1	27 [242]	25 [223]	22 [195]	21 [186]	48 [427]	0.46 [4.1]	1.8 [15.9]
	XT060-025	25:1	25 [223]	23 [204]	20 [177]	19 [167]	55 [483]	0.46 [4.1]	1.8 [15.9]
	XT060-030	30:1	29 [260]	26 [232]	23 [204]	21 [186]	55 [483]	0.46 [4.1]	1.8 [15.9]
	XT060-040	40:1	28 [251]	27 [242]	27 [242]	25 [223]	48 [427]	0.44 [3.9]	1.8 [15.9]
XT060	XT060-050	50:1	26 [232]	25 [223]	25 [223]	23 [204]	55 [483]	0.44 [3.9]	1.8 [15.9]
	XT060-070	70:1	25 [223]	24 [214]	24 [214]	22 [195]	48 [427]	0.44 [3.9]	1.8 [15.9]
	XT060-100	100:1	21 [186]	20 [177]	19 [167]	18 [158]	43 [381]	0.44 [3.9]	1.8 [15.9]

T_r = Rated output torque at rated speed for specific hours of life.
T_{peak} = Allowable momentary peak torque for emergency stop or heavy shock loading.
J = Mass moment of inertia reflected to the input shaft (including pinion assembly).
Specifications subject to change without notice.

XTRUE™

True™ Planetary Gearheads

Performance Specifications

Part Number	Ratio	20000 Hour Life				T _{peak} Nm [in-lb]	J kg-cm ² [in-lb-sec ² *10 ⁻⁴]	Torsional Stiffness Nm/arc-min [in-lb/arc-min]	
		T _r (1000 rpm) Nm [in-lb]	T _r (2000 rpm) Nm [in-lb]	T _r (3000 rpm) Nm [in-lb]	T _r (4000 rpm) Nm [in-lb]				
XTA070	XTA070-003	3:1	16 [139]	13 [112]	12 [102]	11 [93]	55 [483]	0.458 [4.054]	1.8 [15.9]
	XTA070-004	4:1	20 [177]	17 [149]	15 [130]	14 [121]	46 [409]	0.360 [3.168]	1.8 [15.9]
	XTA070-005	5:1	18 [158]	15 [130]	13 [112]	12 [102]	48 [427]	0.322 [2.850]	1.8 [15.9]
	XTA070-007	7:1	17 [149]	14 [121]	12 [102]	11 [93]	43 [381]	0.282 [2.496]	1.8 [15.9]
	XTA070-010	10:1	16 [139]	15 [130]	14 [121]	13 [112]	47 [418]	0.262 [2.319]	1.8 [15.9]
	XTA070-015	15:1	26 [232]	21 [186]	19 [167]	17 [149]	55 [483]	0.305 [2.699]	1.8 [15.9]
	XTA070-020	20:1	27 [242]	25 [223]	22 [195]	21 [186]	48 [427]	0.304 [2.691]	1.8 [15.9]
	XTA070-025	25:1	25 [223]	23 [204]	20 [177]	19 [167]	55 [483]	0.303 [2.682]	1.8 [15.9]
	XTA070-030	30:1	29 [260]	26 [232]	23 [204]	21 [186]	55 [483]	0.258 [2.283]	1.8 [15.9]
	XTA070-040	40:1	28 [251]	27 [242]	27 [242]	25 [223]	48 [427]	0.257 [2.275]	1.8 [15.9]
	XTA070-050	50:1	26 [232]	25 [223]	25 [223]	23 [204]	55 [483]	0.257 [2.275]	1.8 [15.9]
XT080	XTA070-070	70:1	25 [223]	24 [214]	24 [214]	22 [195]	48 [427]	0.257 [2.275]	1.8 [15.9]
	XTA070-100	100:1	21 [186]	20 [177]	19 [167]	18 [158]	43 [381]	0.257 [2.275]	1.8 [15.9]
	XT080-003	3:1	59 [520]	48 [427]	43 [381]	39 [344]	165 [1459]	2.2 [19.5]	5.4 [47.8]
	XT080-004	4:1	70 [623]	58 [511]	53 [465]	48 [427]	165 [1459]	1.8 [15.9]	5.4 [47.8]
	XT080-005	5:1	65 [576]	53 [465]	47 [418]	43 [381]	165 [1459]	1.8 [15.9]	5.4 [47.8]
	XT080-007	7:1	63 [558]	50 [446]	45 [400]	40 [353]	165 [1459]	1.7 [15.0]	5.4 [47.8]
	XT080-008	8:1	62 [549]	49 [434]	45 [398]	42 [372]	165 [1460]	1.6 [14.2]	5.4 [47.8]
	XT080-010	10:1	54 [474]	48 [427]	45 [400]	43 [381]	165 [1459]	1.8 [15.9]	5.4 [47.8]
	XT080-015	15:1	90 [799]	78 [688]	69 [613]	63 [558]	175 [1552]	1.8 [15.9]	5.4 [47.8]
	XT080-020	20:1	92 [818]	88 [781]	81 [716]	75 [660]	175 [1552]	1.5 [13.3]	5.4 [47.8]
	XT080-025	25:1	87 [771]	83 [734]	76 [669]	69 [613]	175 [1552]	1.7 [15.0]	5.4 [47.8]
XTA090	XT080-030	30:1	100 [883]	90 [799]	85 [753]	78 [688]	175 [1552]	1.7 [15.0]	5.4 [47.8]
	XT080-040	40:1	96 [846]	92 [818]	90 [799]	88 [781]	175 [1552]	1.6 [14.2]	5.4 [47.8]
	XT080-050	50:1	90 [799]	87 [771]	85 [753]	83 [734]	175 [1552]	1.6 [14.2]	5.4 [47.8]
	XT080-070	70:1	88 [781]	85 [753]	83 [734]	82 [725]	175 [1552]	1.6 [14.2]	5.4 [47.8]
	XT080-080	80:1	84 [743]	80 [708]	78 [690]	74 [655]	175 [1549]	1.6 [14.2]	5.4 [47.8]
	XT080-100	100:1	72 [641]	67 [595]	63 [558]	61 [539]	175 [1552]	1.6 [14.2]	5.4 [47.8]
	XTA090-003	3:1	59 [520]	48 [427]	43 [381]	39 [344]	165 [1459]	2.065 [18.277]	5.4 [47.8]
	XTA090-004	4:1	70 [623]	58 [511]	53 [465]	48 [427]	165 [1459]	1.621 [14.347]	5.4 [47.8]
	XTA090-005	5:1	65 [576]	53 [465]	47 [418]	43 [381]	165 [1459]	1.400 [12.391]	5.4 [47.8]
	XTA090-007	7:1	63 [558]	50 [446]	45 [400]	40 [353]	165 [1459]	1.193 [10.559]	5.4 [47.8]
	XTA090-008	8:1	62 [549]	49 [434]	45 [398]	42 [372]	165 [1460]	1.156 [10.231]	5.4 [47.8]
XTA090-010	10:1	54 [474]	48 [427]	45 [400]	43 [381]	165 [1459]	1.118 [9.895]	5.4 [47.8]	
XTA090-015	15:1	90 [799]	78 [688]	69 [613]	63 [558]	175 [1552]	1.329 [11.763]	5.4 [47.8]	
XTA090-020	20:1	92 [818]	88 [781]	81 [716]	75 [660]	175 [1552]	1.319 [11.674]	5.4 [47.8]	
XTA090-025	25:1	87 [771]	83 [734]	76 [669]	69 [613]	175 [1552]	1.319 [11.674]	5.4 [47.8]	
XTA090-030	30:1	100 [883]	90 [799]	85 [753]	78 [688]	175 [1552]	1.100 [9.736]	5.4 [47.8]	
XTA090-040	40:1	96 [846]	92 [818]	90 [799]	88 [781]	175 [1552]	1.235 [10.931]	5.4 [47.8]	
XTA090-050	50:1	90 [799]	87 [771]	85 [753]	83 [734]	175 [1552]	1.097 [9.709]	5.4 [47.8]	
XTA090-070	70:1	88 [781]	85 [753]	83 [734]	82 [725]	175 [1552]	1.096 [9.700]	5.4 [47.8]	
XTA090-080	80:1	84 [743]	80 [708]	78 [690]	74 [655]	175 [1549]	1.096 [9.700]	5.4 [47.8]	
XTA090-100	100:1	72 [641]	67 [595]	63 [558]	61 [539]	175 [1552]	1.095 [9.692]	5.4 [47.8]	

T_r = Rated output torque at rated speed for specific hours of life.

T_{peak} = Allowable momentary peak torque for emergency stop or heavy shock loading.

J = Mass moment of inertia reflected to the input shaft (including pinion assembly).

Specifications subject to change without notice.

Performance Specifications

Part Number	Ratio	20000 Hour Life				T _{peak} Nm [in-lb]	J kg-cm ² [in-lb-sec ² *10 ⁻⁴]	Torsional Stiffness Nm/arc-min [in-lb/arc-min]	
		T _r (1000 rpm) Nm [in-lb]	T _r (2000 rpm) Nm [in-lb]	T _r (3000 rpm) Nm [in-lb]	T _r (4000 rpm) Nm [in-lb]				
XT120 / XTA120	XT(A)120-003	3:1	90 [799]	74 [650]	65 [576]	59 [520]	298 [2639]	7.695 [68.107]	17.4 [154.0]
	XT(A)120-004	4:1	107 [948]	89 [790]	79 [697]	74 [650]	298 [2639]	5.949 [52.653]	17.4 [154.0]
	XT(A)120-005	5:1	99 [873]	81 [716]	71 [632]	65 [576]	298 [2639]	5.149 [45.573]	17.4 [154.0]
	XT(A)120-007	7:1	97 [855]	79 [697]	68 [604]	63 [558]	298 [2639]	4.413 [39.058]	17.4 [154.0]
	XT(A)120-010	10:1	87 [771]	79 [697]	74 [650]	69 [613]	298 [2639]	4.048 [35.828]	17.4 [154.0]
	XT(A)120-015	15:1	146 [1292]	119 [1050]	105 [929]	96 [846]	298 [2639]	4.748 [42.023]	17.4 [154.0]
	XT(A)120-020	20:1	169 [1496]	139 [1227]	124 [1097]	114 [1013]	298 [2639]	4.709 [41.678]	17.4 [154.0]
	XT(A)120-025	25:1	161 [1422]	130 [1152]	116 [1022]	106 [939]	298 [2639]	4.690 [41.510]	17.4 [154.0]
	XT(A)120-030	30:1	180 [1589]	146 [1292]	129 [1143]	119 [1050]	298 [2639]	3.949 [34.952]	17.4 [154.0]
	XT(A)120-040	40:1	187 [1654]	169 [1496]	150 [1329]	139 [1227]	298 [2639]	3.938 [34.854]	17.4 [154.0]
	XT(A)120-050	50:1	179 [1580]	161 [1422]	142 [1254]	130 [1152]	298 [2639]	3.933 [34.810]	17.4 [154.0]
XT(A)120-070	70:1	176 [1561]	159 [1403]	140 [1236]	128 [1134]	298 [2639]	3.929 [34.775]	17.4 [154.0]	
XT(A)120-100	100:1	120 [1059]	109 [966]	104 [920]	100 [883]	298 [2639]	3.927 [34.757]	17.4 [154.0]	
XT160	XT160-003	3:1	317 [2806]	257 [2277]	228 [2016]	209 [1849]	876 [7750]	23 [204]	50.5 [446.9]
	XT160-004	4:1	371 [3280]	305 [2695]	272 [2407]	251 [2221]	876 [7750]	15 [133]	50.5 [446.9]
	XT160-005	5:1	350 [3094]	284 [2509]	251 [2221]	230 [2035]	876 [7750]	14 [124]	50.5 [446.9]
	XT160-007	7:1	344 [3048]	278 [2463]	246 [2174]	225 [1989]	876 [7750]	15 [133]	50.5 [446.9]
	XT160-010	10:1	222 [1961]	198 [1756]	185 [1635]	175 [1552]	876 [7750]	12 [106]	50.5 [446.9]
	XT160-015	15:1	508 [4498]	417 [3689]	370 [3271]	339 [3001]	876 [7750]	15 [133]	50.5 [446.9]
	XT160-020	20:1	513 [4544]	481 [4256]	428 [3791]	395 [3494]	876 [7750]	15 [133]	50.5 [446.9]
	XT160-025	25:1	492 [4358]	460 [4070]	407 [3605]	374 [3308]	876 [7750]	15 [133]	50.5 [446.9]
	XT160-030	30:1	562 [4971]	508 [4498]	455 [4024]	417 [3689]	876 [7750]	12 [106]	50.5 [446.9]
	XT160-040	40:1	536 [4739]	513 [4544]	500 [4423]	481 [4256]	876 [7750]	13 [115]	50.5 [446.9]
	XT160-050	50:1	515 [4553]	492 [4358]	479 [4237]	460 [4070]	876 [7750]	12 [106]	50.5 [446.9]
XT160-070	70:1	509 [4507]	487 [4312]	474 [4191]	455 [4024]	876 [7750]	12 [106]	50.5 [446.9]	
XT160-100	100:1	306 [2704]	279 [2472]	265 [2342]	254 [2249]	876 [7750]	12 [106]	50.5 [446.9]	

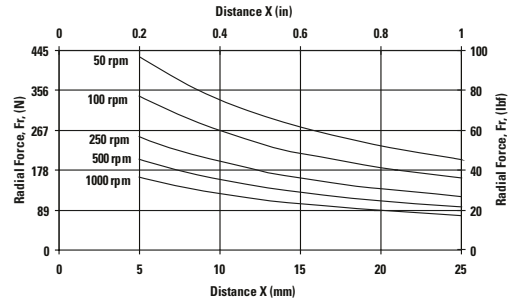
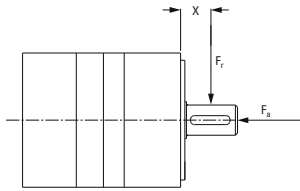
T_r = Rated output torque at rated speed for specific hours of life.
T_{peak} = Allowable momentary peak torque for emergency stop or heavy shock loading.
J = Mass moment of inertia reflected to the input shaft (including pinion assembly).
Specifications subject to change without notice.

XTRUE™

True™ Planetary Gearheads

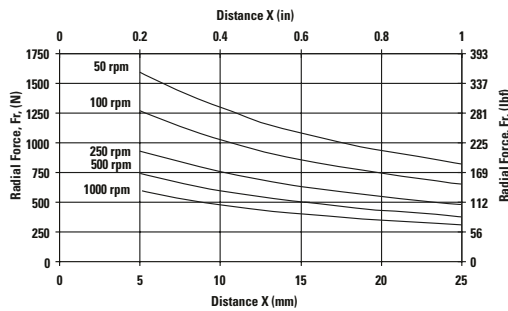
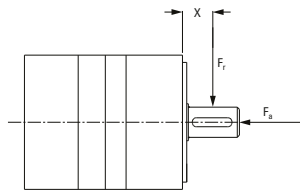
Radial and Axial Load Ratings

XT040 / XTA050



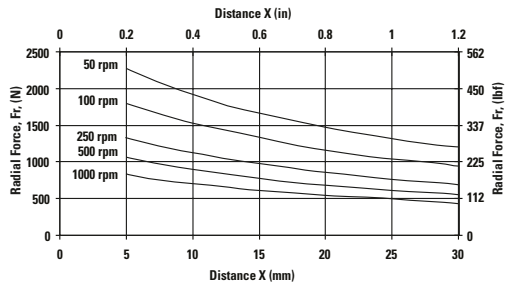
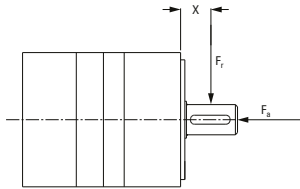
Speed rpm	Axial Load, F_a N [lb _f]
50	737 [166]
100	585 [132]
250	431 [97]
500	342 [77]
1000	272 [61]

XT060 / XTA070



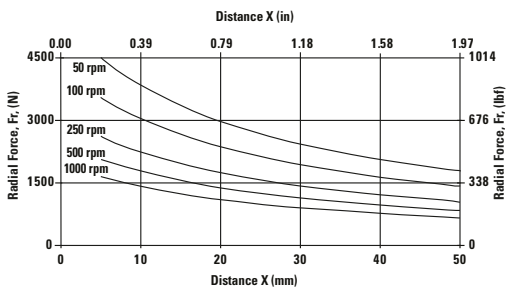
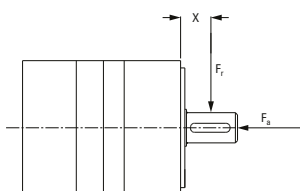
Speed rpm	Axial Load, F_a N [lb _f]
50	2542 [571]
100	2017 [454]
250	1486 [334]
500	1180 [265]
1000	936 [211]

XT080 / XTA090



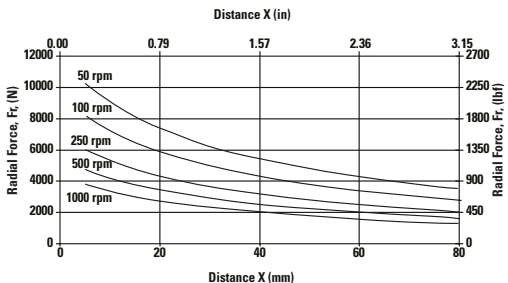
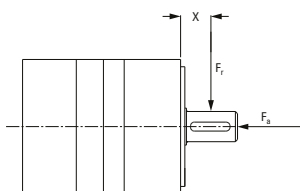
Speed rpm	Axial Load, F_a N [lb _f]
50	3780 [850]
100	3000 [675]
250	2211 [497]
500	1755 [394]
1000	1393 [313]

XT120 / XTA120



Speed rpm	Axial Load, F_a N [lb _f]
50	6894 [1550]
100	5471 [1230]
250	4034 [907]
500	3203 [720]
1000	2540 [571]

XT160



Speed rpm	Axial Load, F_a N [lb _f]
50	14,122 [3175]
100	11,209 [2520]
250	8260 [1857]
500	6556 [1474]
1000	5204 [1170]

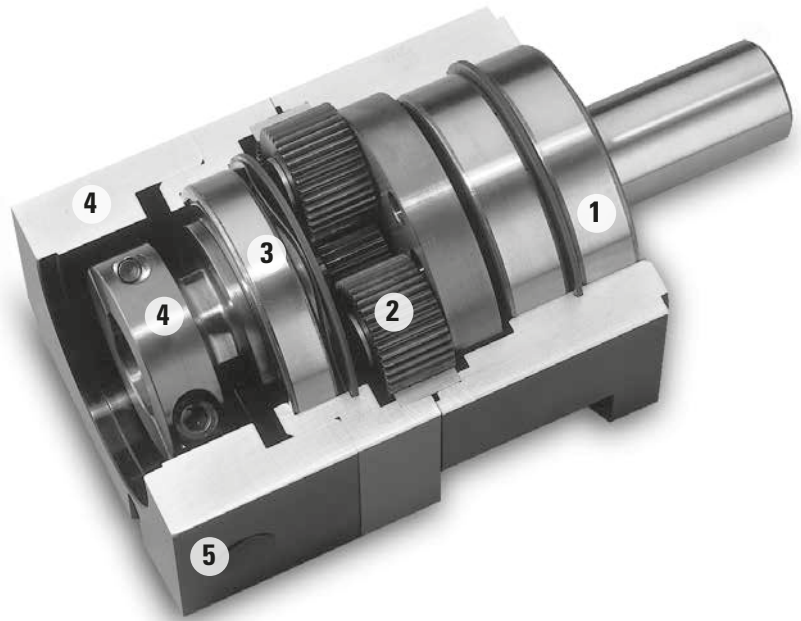
These graphs display the allowable radial load at a given distance (X) from the mounting surface based on an L₁₀ life of 20,000 hours for the mean output speed.

NemaTRUE™

True™ Planetary Gearheads

Ready for Immediate Delivery	
Precision	13 arc-minutes
Frame Sizes	17, 23/60mm, 34/90mm and 42/115mm
Torque Capacity	up to 180 Nm
Ratio Availability	3:1 thru 100:1
Radial load capacity	up to 3730 N
Mounting System	RediMount™

- 1 **Sealed deep groove ball bearings**
provide high radial load carrying capability
- 2 **HRC 55-60 steel gears**
provide superior wear resistance
and increased backlash integrity
- 3 **Sealed deep groove ball bearing**
provides precision alignment of sun gear
- 4 **RediMount system**
provides error-free motor installation
- 5 **Anodized aluminum housing**
reduces weight and prevents corrosion



**Micron True™ Planetary Gearheads
shipped within 24 hours!**

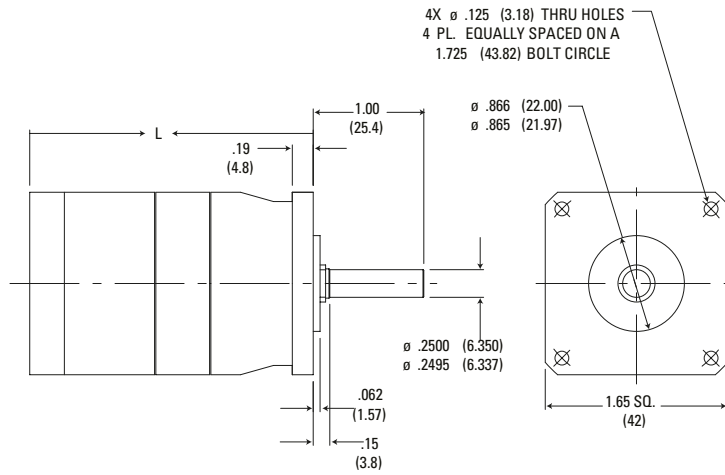


*Need it fast? Go to the back cover
of the catalog for details.*

NemaTRUE™ Size 17

True™ Planetary Gearheads

English



Ratio ¹	Dimension 'L' in [mm]	Backlash [arc-min]	Weight lb [kg]	Efficiency
3:1 to 10:1	2.28 [58]	13 max	.75 [0,34]	93%
15:1 to 100:1	2.77 [71]	15 max	.95 [0,43]	88%

Dimensions are inch (mm)
Efficiency is calculated at 100% of the rated torque.
Total length may change depending on motor being used.

Performance Specifications

Part Number	Ratio ¹	20000 Hour Life				T _{peak} in-lb [Nm]	J in-lb-sec ² x10 ⁻⁴ [kg-cm ²]	Torsional Stiffness in-lb/arc-min [Nm/arc-min]
		T _r (1000 rpm) in-lb [Nm]	T _r (2000 rpm) in-lb [Nm]	T _r (3000 rpm) in-lb [Nm]	T _r (4000 rpm) in-lb [Nm]			
NT17-003	3:1	41 [4,7]	34 [3,8]	29 [3,3]	27 [3,1]	170 [19,2]	0.115 [0,013]	2.36 [0,268]
NT17-005	5:1	44 [5,0]	37 [4,2]	33 [3,7]	30 [3,4]	170 [19,2]	0.040 [0,005]	2.36 [0,268]
NT17-010	10:1	30 [3,4]	28 [3,1]	25 [2,8]	23 [2,6]	170 [19,2]	0.030 [0,003]	2.36 [0,268]
NT17-015	15:1	47 [5,3]	47 [5,3]	47 [5,3]	42 [4,7]	170 [19,2]	0.037 [0,004]	2.36 [0,268]
NT17-025	25:1	78 [8,8]	58 [6,6]	53 [6,0]	48 [5,5]	170 [19,2]	0.037 [0,004]	2.36 [0,268]
NT17-030	30:1	57 [6,4]	52 [5,9]	48 [5,4]	46 [5,2]	170 [19,2]	0.026 [0,003]	2.36 [0,268]
NT17-050	50:1	91 [10,3]	78 [8,8]	65 [7,4]	60 [6,7]	170 [19,2]	0.026 [0,003]	2.36 [0,268]
NT17-100	100:1	40 [4,5]	38 [4,3]	35 [4,0]	33 [3,8]	170 [19,2]	0.026 [0,003]	2.36 [0,268]

¹ Ratios are exact, higher ratios and other custom options are also available, consult factory.
T_r = Rated output torque at rated speed for specific hours of life.

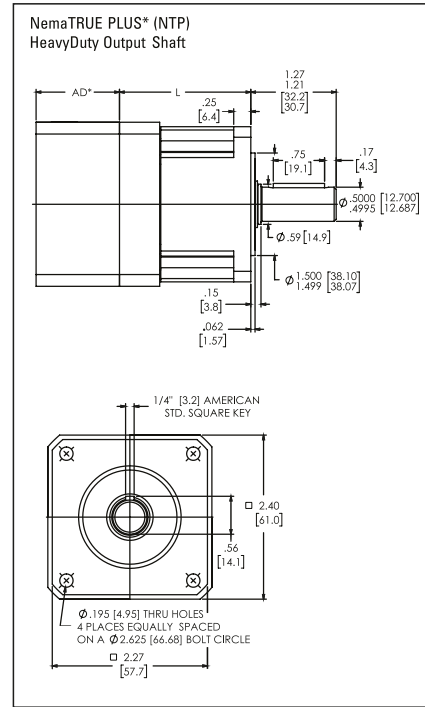
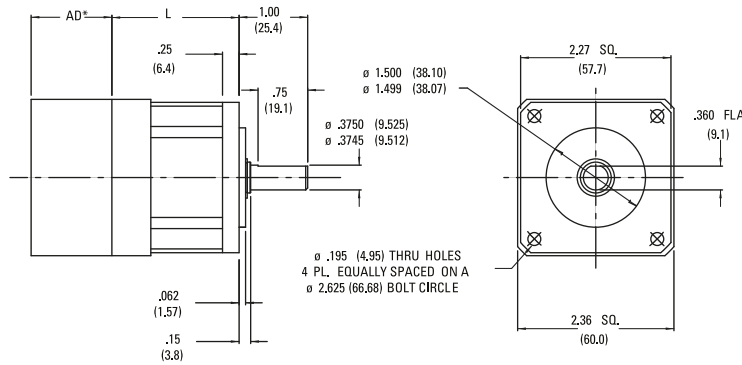
T_{peak} = Allowable momentary peak torque for emergency stop or heavy shock loading.
J = Mass moment of inertia reflected to the input shaft (including pinion assembly).

NemaTRUE™ Size 23/60

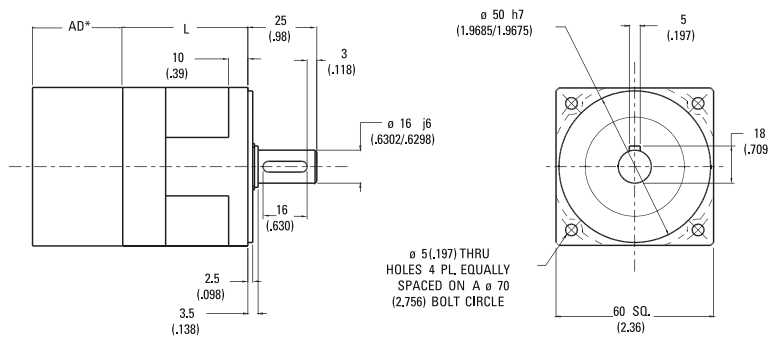
True™ Planetary Gearheads

English

English - Dimensions are in (mm)



Metric - Dimensions are mm (in)



Ratio ¹	NT23 Dimension 'L' in [mm]	NT60 Dimension 'L' in [mm]	Backlash [arc-min]		Weight lb [kg]	Efficiency
			Precision	High Precision		
3:1 to 10:1	1.92 [48,8]	2.07 [52,6]	13 max	8 max	1.5 [0,7]	93%
15:1 to 100:1	2.61 [66,3]	2.76 [70,1]	15 max	9 max	1.9 [0,9]	88%

AD** = Adapter length
Adapter length will vary depending on motor.
Efficiency is calculated at 100% of the rated torque.

Performance Specifications

Part Number		Ratio ¹	20000 Hour Life				T _{peak} in-lb [Nm]	J in-lb-sec ² x10 ⁻⁴ [kg-cm ²]	Torsional Stiffness in-lb/arc-min [Nm/arc-min]	
English	Metric		T _r (1000 rpm) in-lb [Nm]	T _r (2000 rpm) in-lb [Nm]	T _r (3000 rpm) in-lb [Nm]	T _r (4000 rpm) in-lb [Nm]			NT	NTP
NT23-003	NT60-003	3:1	98 [11,1]	80 [9,0]	70 [7,9]	65 [7,3]	150 [16,9]	0.67 [0,076]	6.3 [0,71]	15.8 [1,8]
NT23-004	NT60-004	4:1	107 [12,1]	90 [10,2]	80 [9,0]	73 [8,2]	250 [28,3]	0.22 [0,024]	6.3 [0,71]	15.8 [1,8]
NT23-005	NT60-005	5:1	105 [11,9]	88 [9,9]	78 [8,8]	71 [8,0]	250 [28,2]	0.22 [0,025]	6.3 [0,71]	15.8 [1,8]
NT23-007	NT60-007	7:1	100 [11,3]	83 [9,4]	74 [8,4]	66 [7,5]	250 [28,3]	0.22 [0,024]	6.3 [0,71]	15.8 [1,8]
NT23-010	NT60-010	10:1	163 [7,1]	58 [6,6]	54 [6,1]	52 [5,9]	250 [28,2]	0.14 [0,016]	6.3 [0,71]	15.8 [1,8]
NT23-015	NT60-015	15:1	124 [14,0]	110 [12,4]	105 [11,9]	100 [11,3]	250 [28,3]	0.21 [0,024]	6.3 [0,71]	15.8 [1,8]
NT23-020	NT60-020	20:1	180 [20,3]	147 [16,6]	130 [14,7]	120 [13,6]	275 [31,1]	0.21 [0,024]	6.3 [0,71]	15.8 [1,8]
NT23-025	NT60-025	25:1	175 [9,8]	142 [16,0]	125 [14,1]	115 [13,0]	250 [28,3]	0.21 [0,024]	6.3 [0,71]	15.8 [1,8]
NT23-030	NT60-030	30:1	207 [23,4]	182 [20,6]	157 [17,7]	147 [16,6]	275 [31,1]	0.13 [0,015]	6.3 [0,71]	15.8 [1,8]
NT23-040	NT60-040	40:1	207 [23,4]	182 [20,6]	157 [17,7]	147 [16,6]	275 [31,1]	0.13 [0,015]	6.3 [0,71]	15.8 [1,8]
NT23-050	NT60-050	50:1	202 [22,8]	175 [19,8]	152 [17,2]	142 [16,0]	275 [31,1]	0.13 [0,015]	6.3 [0,71]	15.8 [1,8]
NT23-070	NT60-070	70:1	197 [22,3]	172 [19,4]	147 [16,6]	137 [15,5]	275 [31,1]	0.13 [0,015]	6.3 [0,71]	15.8 [1,8]
NT23-100	NT60-100	100:1	85 [9,6]	79 [8,9]	74 [8,9]	73 [8,2]	275 [31,1]	0.13 [0,015]	6.3 [0,71]	15.8 [1,8]

All ratios are available to ship in 24 hours through the Gearhead Express Program.

¹ Ratios are exact, higher ratios and other custom options are also available, consult factory.

T_r = Rated output torque at rated speed for specific hours of life.

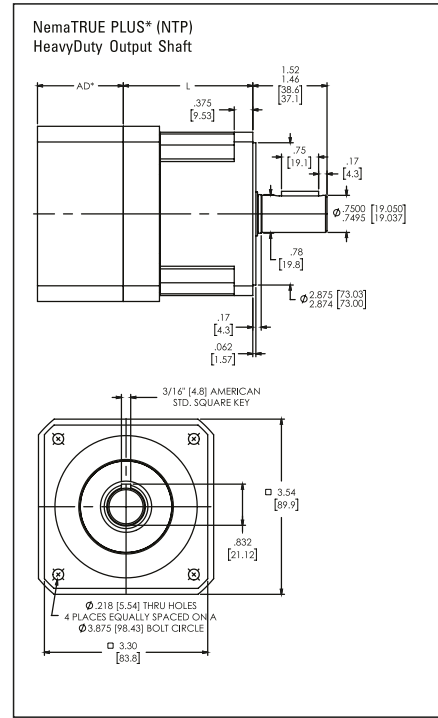
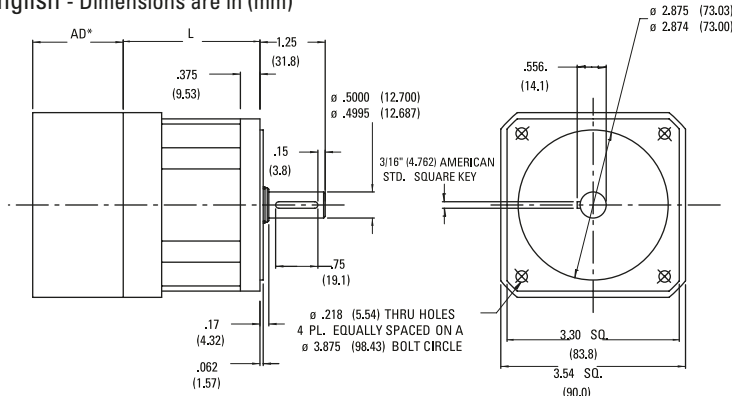
T_{peak} = Allowable momentary peak torque for emergency stop or heavy shock loading.
J = Mass moment of inertia reflected to the input shaft (including pinion assembly).

NemaTRUE™ Size 34/90

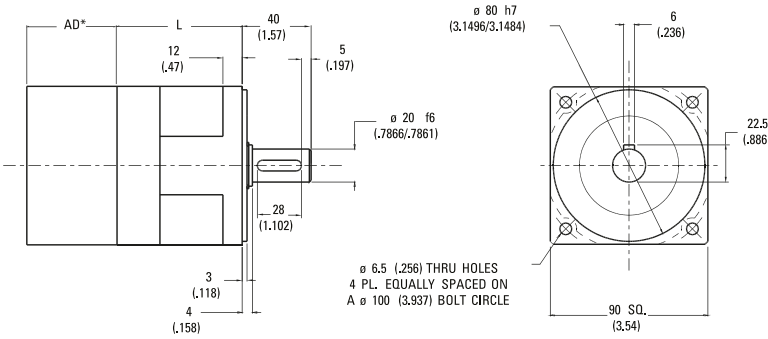
True™ Planetary Gearheads

English

English - Dimensions are in (mm)



Metric - Dimensions are mm (in)



Ratio ¹	NT34	NT90	Backlash [arc-min]		Weight lb [kg]	Efficiency
	Dimension 'L' in [mm]	Dimension 'L' in [mm]	Precision	High Precision		
3:1 to 10:1	2.62 [66,4]	2.63 [66,8]	13 max	8 max	4.2 [1,9]	93%
15:1 to 100:1	3.53 [89,6]	3.53 [89,7]	15 max	9 max	5.6 [2,5]	88%

AD** = Adapter length
 Adapter length will vary depending on motor.
 Efficiency is calculated at 100% of the rated torque.

Performance Specifications

Part Number		Ratio ¹	20000 Hour Life				T _{peak} in-lb [Nm]	J in-lb-sec ² x10 ⁻⁴ [kg-cm ²]	Torsional Stiffness in-lb/arc-min [Nm/arc-min]	
English	Metric		T _r (1000 rpm) in-lb [Nm]	T _r (2000 rpm) in-lb [Nm]	T _r (3000 rpm) in-lb [Nm]	T _r (4000 rpm) in-lb [Nm]			NT	NTP
NT34-003	NT90-003	3:1	360 [40,7]	320 [36,2]	295 [33,3]	270 [30,5]	510 [57,6]	3.9 [0,44]	16.8 [1,9]	48 [5,4]
NT34-004	NT90-004	4:1	515 [58,2]	425 [48,0]	380 [42,9]	350 [39,6]	700 [79,1]	1.20 [0,140]	16.8 [1,9]	48 [5,4]
NT34-005	NT90-005	5:1	490 [55,4]	400 [45,2]	355 [40,1]	325 [36,7]	700 [79,1]	1.20 [0,140]	16.8 [1,9]	48 [5,4]
NT34-007	NT90-007	7:1	470 [53,1]	380 [42,9]	335 [37,9]	305 [34,5]	700 [79,1]	1.20 [0,140]	16.8 [1,9]	48 [5,4]
NT34-010	NT90-010	10:1	238 [26,9]	212 [24,0]	200 [22,6]	192 [21,7]	700 [79,1]	0.66 [0,075]	16.8 [1,9]	48 [5,4]
NT34-015	NT90-015	15:1	454 [51,3]	416 [47,0]	391 [44,2]	373 [42,1]	850 [96,0]	1.20 [0,140]	16.8 [1,9]	48 [5,4]
NT34-020	NT90-020	20:1	677 [76,5]	620 [70,1]	587 [66,3]	551 [62,3]	850 [96,1]	1.20 [0,140]	16.8 [1,9]	48 [5,4]
NT34-025	NT90-025	25:1	652 [73,7]	595 [67,2]	562 [63,5]	526 [59,4]	850 [96,0]	1.20 [0,140]	16.8 [1,9]	48 [5,4]
NT34-030	NT90-030	30:1	500 [56,5]	454 [51,3]	432 [48,8]	416 [47,0]	850 [96,0]	0.66 [0,075]	16.8 [1,9]	48 [5,4]
NT34-040	NT90-040	40:1	770 [87,0]	702 [79,3]	668 [75,5]	620 [70,1]	850 [96,1]	0.65 [0,074]	16.8 [1,9]	48 [5,4]
NT34-050	NT90-050	50:1	720 [81,4]	652 [73,7]	618 [69,8]	595 [67,2]	850 [96,0]	0.65 [0,074]	16.8 [1,9]	48 [5,4]
NT34-070	NT90-070	70:1	770 [87,0]	702 [79,3]	668 [75,5]	620 [70,1]	850 [96,1]	0.65 [0,074]	16.8 [1,9]	48 [5,4]
NT34-100	NT90-100	100:1	325 [36,7]	295 [33,3]	280 [31,6]	270 [30,5]	700 [79,1]	0.65 [0,074]	16.8 [1,9]	48 [5,4]

All ratios are available to ship in 24 hours through the Gearhead Express Program.

¹ Ratios are exact, higher ratios and other custom options are also available, consult factory.
 T_r = Rated output torque at rated speed for specific hours of life.

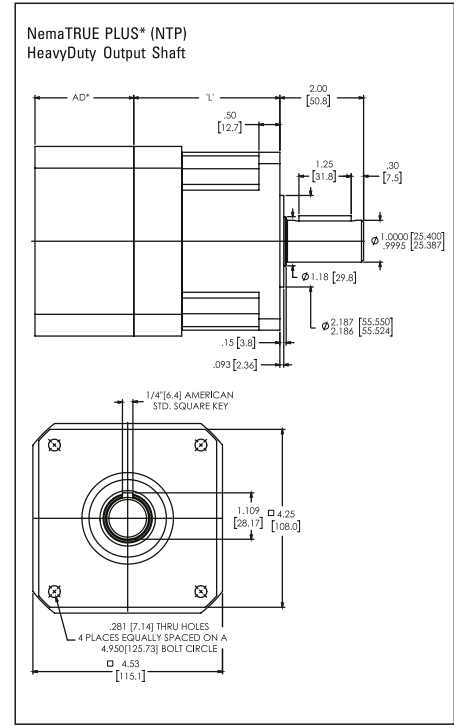
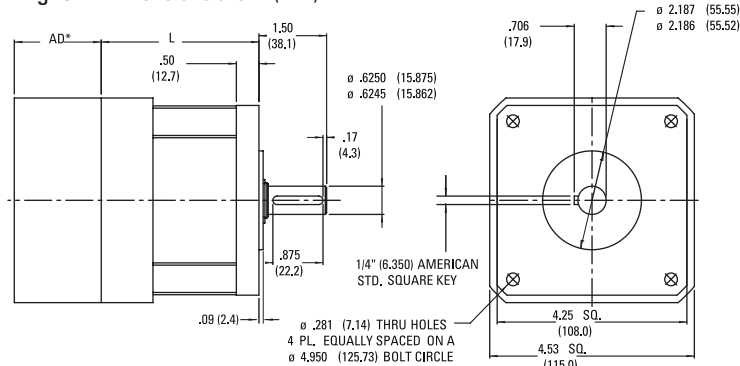
T_{peak} = Allowable momentary peak torque for emergency stop or heavy shock loading.
 J = Mass moment of inertia reflected to the input shaft (including pinion assembly).

NemaTRUE™ Size 42/115

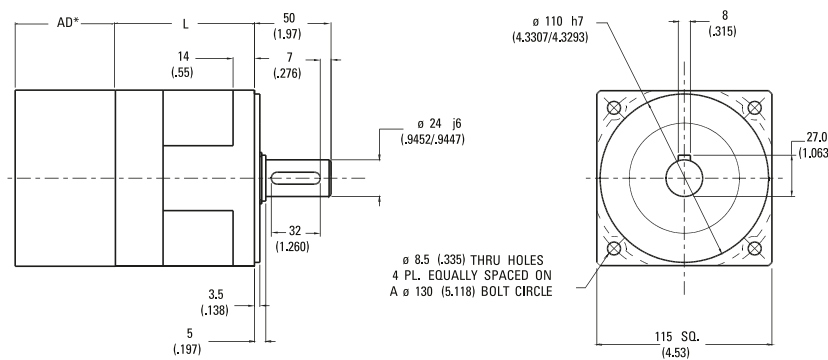
True™ Planetary Gearheads

English

English - Dimensions are in (mm)



Metric - Dimensions are mm (in)



Ratio ¹	NT42	NT115	Backlash [arc-min]		Weight lb [kg]	Efficiency
	Dimension 'L' in [mm]	Dimension 'L' in [mm]	Precision	High Precision		
3:1 to 10:1	3.49 [88.7]	3.46 [87.9]	13 max	8 max	8.9 [4.0]	93%
15:1 to 100:1	4.72 [120.0]	4.69 [119.1]	15 max	9 max	11.7 [5.3]	88%

AD** = Adapter length
 Adapter length will vary depending on motor.
 Efficiency is calculated at 100% of the rated torque.

Performance Specifications

Part Number		Ratio ¹	20000 Hour Life				T _{peak} in-lb [Nm]	J in-lb-sec ² x 10 ⁻⁴ [kg-cm ²]	Torsional Stiffness in-lb/arc-min [Nm/arc-min]	
English	Metric		T _r (1000 rpm) in-lb [Nm]	T _r (2000 rpm) in-lb [Nm]	T _r (3000 rpm) in-lb [Nm]	T _r (4000 rpm) in-lb [Nm]			NT	NTP
NT42-003	NT115-003	3:1	690 [78.0]	594 [67.1]	530 [59.9]	485 [54.8]	1000 [113.0]	14 [1.6]	31 [3.5]	154 [17.4]
NT42-004	NT115-004	4:1	850 [96.1]	698 [78.9]	622 [70.3]	570 [64.4]	1000 [113.0]	3.80 [0.43]	31 [3.5]	154 [17.4]
NT42-005	NT115-005	5:1	810 [55.4]	400 [45.2]	355 [40.1]	325 [36.7]	1000 [113.0]	3.80 [0.43]	31 [3.5]	154 [17.4]
NT42-007	NT115-007	7:1	790 [89.3]	638 [72.1]	562 [63.5]	510 [57.6]	1000 [113.0]	3.80 [0.43]	31 [3.5]	154 [17.4]
NT42-010	NT115-010	10:1	460 [52.0]	412 [46.6]	388 [43.8]	370 [41.8]	1000 [113.0]	1.9 [0.21]	31 [3.5]	154 [17.4]
NT42-015	NT115-015	15:1	454 [51.3]	416 [47.0]	391 [44.2]	373 [42.1]	1600 [180.8]	3.9 [0.44]	31 [3.5]	154 [17.4]
NT42-020	NT115-020	20:1	1290 [145.8]	1090 [123.2]	985 [111.3]	905 [102.3]	1600 [180.8]	3.70 [0.42]	31 [3.5]	154 [17.4]
NT42-025	NT115-025	25:1	1250 [141.2]	1050 [118.6]	945 [106.8]	865 [97.7]	1600 [180.8]	3.70 [0.42]	31 [3.5]	154 [17.4]
NT42-030	NT115-030	30:1	972 [109.8]	878 [99.2]	842 [95.1]	805 [91.0]	1600 [180.8]	1.9 [0.21]	31 [3.5]	154 [17.4]
NT42-040	NT115-040	40:1	1435 [162.2]	1290 [145.8]	1190 [134.5]	1090 [123.2]	1600 [180.8]	1.80 [0.20]	31 [3.5]	154 [17.4]
NT42-050	NT115-050	50:1	1395 [157.6]	1250 [141.2]	1150 [118.6]	1050 [118.6]	1600 [180.8]	1.80 [0.20]	31 [3.5]	154 [17.4]
NT42-070	NT115-070	70:1	1375 [155.4]	1230 [139.0]	1130 [127.7]	1030 [116.4]	1600 [180.8]	1.80 [0.20]	31 [3.5]	154 [17.4]
NT42-100	NT115-100	100:1	630 [71.2]	575 [65.0]	540 [61.0]	522 [59.0]	1200 [135.6]	1.80 [0.20]	31 [3.5]	154 [17.4]

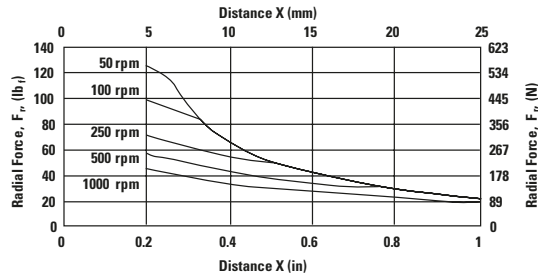
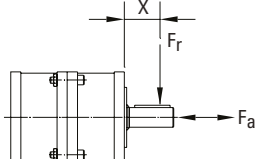
All ratios are available to ship in 24 hours through the Gearhead Express Program.

¹ Ratios are exact, higher ratios and other custom options are also available, consult factory.
 T_r = Rated output torque at rated speed for specific hours of life.

T_{peak} = Allowable momentary peak torque for emergency stop or heavy shock loading.
 J = Mass moment of inertia reflected to the input shaft (including pinion assembly).

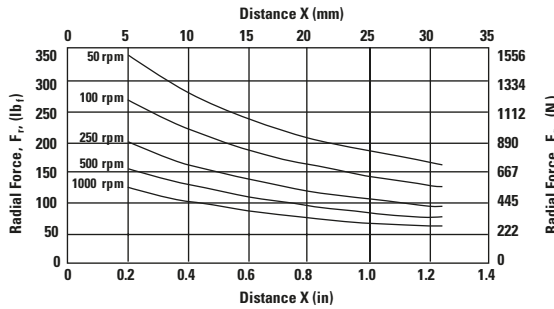
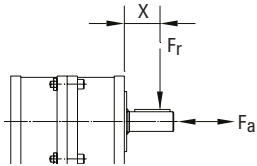
Radial and Axial Load Ratings

NT17



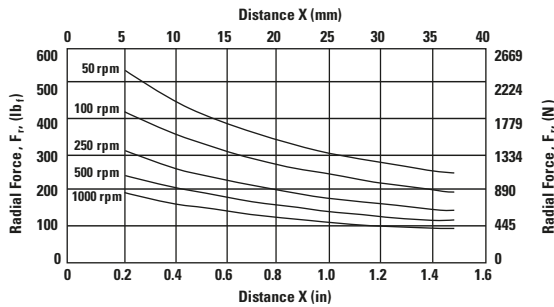
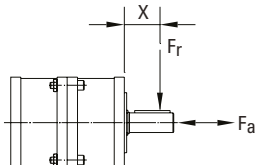
Speed rpm	Axial Load, F_a lb _f [N]
250	138 [614]

NT23, NTP23, NT60



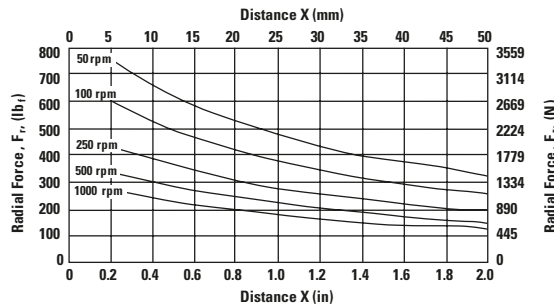
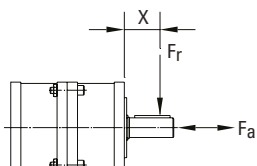
Speed rpm	Axial Load, F_a lb _f [N]
250	310 [1379]

NT34, NTP34, NT90



Speed rpm	Axial Load, F_a lb _f [N]
250	510 [2269]

NT42, NTP42, NT115



Speed rpm	Axial Load, F_a lb _f [N]
250	760 [3380]

These graphs display the allowable radial load at a given distance (X) from the mounting surface based on an L_{10} life of 10,000 hours for the mean output speed n_{mout} , as described on page 9,

NemaTRUE™ 90

Right Angle Gearheads

Ready for Immediate Delivery	
Precision	13 arc-minutes
Frame Sizes	NEMA 23, 34, 42
Torque Capacity	up to 255 Nm
Ratio Availability	1:1 thru 500:1
Radial load capacity	up to 2900 N
Mounting System	RediMount™

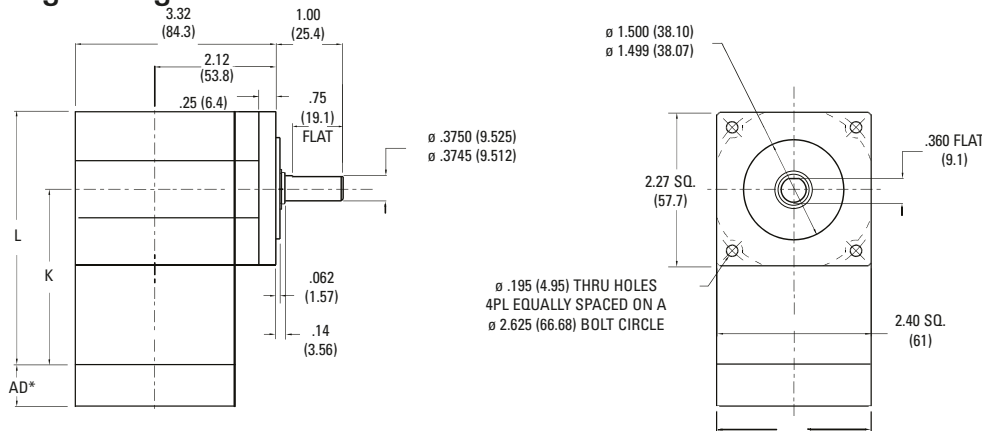
- 1 Tapered roller bearings**
provide high radial and axial load capacity
- 2 Innovative PowerTRUE gearing**
delivers smooth, quiet geared reduction
- 3 Tapered roller bearings**
provide high axial load carrying capabilities
- 4 HRC 55-60 steel gears**
provide superior wear resistance and increased backlash integrity
- 5 RediMount system**
provides error-free motor installation



NemaTRUE™ 90 Size 23

Right Angle Gearheads

English



Ratio ¹	Dimension 'K' in [mm]	Dimension 'L' in [mm]	Backlash [arc-min]	Weight lb [kg]	Efficiency
1:1 to 5:1P	3.11 [79]	4.31 [109,5]	13 max	3.0 [1,4]	98%
5:1T to 50:1	3.79 [96]	4.99 [127]	15 max	3.4 [1,5]	93%
60:1 to 500:1	4.48 [114]	5.68 [144]	15 max	3.8 [1,6]	88%

Dimensions are inch (mm)
AD** = Adapter length
Adapter length will vary depending on motor.
Efficiency is calculated at 100% of the rated torque.

Performance Specifications

Part Number	Ratio ¹	10000 Hour Life			T _{peak} in-lb [Nm]	20000 Hour Life			J in-lb-sec ² x10 ⁻⁴ [kg-cm ²]	Torsional Stiffness in-lb/arc-min [Nm/arc-min]
		T _r (1000 rpm) in-lb [Nm]	T _r (3000 rpm) in-lb [Nm]	T _r (5000 rpm) in-lb [Nm]		T _r (1000 rpm) in-lb [Nm]	T _r (3000 rpm) in-lb [Nm]	T _r (5000 rpm) in-lb [Nm]		
NTR23-001	1:1	59 [7]	54 [6]	49 [6]	195 [22]	54 [6]	50 [6]	45 [5]	7.01 [0,79]	5.6 [0,6]
NTR23-002	2:1	130 [15]	118 [13]	107 [12]	360 [41]	120 [14]	109 [12]	99 [11]	3.59 [0,41]	8.5 [1,0]
NTR23-003	3:1	83 [9]	75 [9]	68 [8]	270 [31]	76 [9]	70 [8]	63 [7]	3.09 [0,35]	9.6 [1,1]
NTR23-004	4:1	61 [7]	56 [6]	50 [6]	238 [27]	56 [6]	51 [6]	46 [5]	2.87 [0,32]	10.1 [1,1]
NTR23-005P	5:1P	50 [6]	46 [5]	41 [5]	180 [20]	46 [5]	42 [5]	38 [4]	2.81 [0,32]	10.3 [1,2]
NTR23-005T	5:1T	179 [20]	153 [17]	138 [16]	366 [41]	175 [20]	132 [15]	112 [13]	3.69 [0,42]	10.3 [1,2]
NTR23-006	6:1	153 [17]	130 [15]	126 [14]	366 [41]	149 [17]	120 [14]	116 [13]	3.67 [0,41]	6.7 [0,8]
NTR23-009	9:1	97 [11]	83 [9]	80 [9]	289 [33]	95 [11]	76 [9]	74 [8]	3.08 [0,35]	8.5 [1,0]
NTR23-010	10:1	157 [18]	144 [16]	130 [15]	366 [41]	155 [18]	138 [16]	120 [14]	3.48 [0,39]	6.6 [0,7]
NTR23-012	12:1	72 [8]	61 [7]	59 [7]	252 [28]	70 [8]	56 [6]	55 [6]	2.95 [0,33]	9.3 [1,1]
NTR23-015	15:1	100 [11]	91 [10]	83 [9]	297 [34]	99 [11]	88 [10]	76 [9]	2.89 [0,33]	9.8 [1,1]
NTR23-020	20:1	74 [8]	67 [8]	61 [7]	366 [41]	73 [8]	64 [7]	56 [6]	2.76 [0,31]	9.3 [1,0]
NTR23-025	25:1	60 [7]	55 [6]	50 [6]	198 [22]	60 [7]	53 [6]	46 [5]	2.71 [0,31]	9.8 [1,1]
NTR23-030	30:1	102 [12]	98 [11]	94 [11]	305 [34]	102 [11]	96 [11]	90 [10]	2.83 [0,32]	8.0 [0,9]
NTR23-040	40:1	75 [9]	72 [8]	69 [8]	263 [30]	75 [8]	71 [8]	67 [8]	2.69 [0,30]	9.0 [1,0]
NTR23-050	50:1	62 [7]	59 [7]	57 [6]	203 [23]	61 [7]	58 [7]	55 [6]	2.64 [0,30]	9.6 [1,1]
NTR23-060	60:1	163 [18]	161 [18]	158 [18]	366 [41]	163 [18]	160 [18]	157 [18]	3.68 [0,42]	6.5 [0,7]
NTR23-075	75:1	104 [12]	102 [12]	100 [11]	311 [35]	103 [12]	101 [11]	99 [11]	2.95 [0,33]	8.4 [0,9]
NTR23-090	90:1	104 [12]	102 [12]	101 [11]	313 [35]	103 [12]	102 [11]	100 [11]	3.09 [0,35]	8.3 [0,9]
NTR23-100	100:1	163 [18]	162 [18]	161 [18]	366 [41]	163 [18]	161 [18]	160 [18]	3.50 [0,40]	6.5 [0,7]
NTR23-120	120:1	76 [9]	75 [9]	74 [8]	270 [31]	76 [9]	75 [8]	73 [8]	2.96 [0,33]	9.2 [1,0]
NTR23-125	125:1	63 [7]	62 [7]	60 [7]	207 [23]	62 [7]	61 [7]	60 [7]	2.76 [0,31]	9.7 [1,1]
NTR23-150	150:1	104 [12]	103 [12]	102 [12]	316 [36]	104 [12]	103 [12]	102 [11]	2.91 [0,33]	8.4 [0,9]
NTR23-200	200:1	164 [19]	163 [18]	162 [18]	366 [41]	164 [18]	163 [18]	162 [18]	3.43 [0,39]	6.1 [0,7]
NTR23-250	250:1	63 [7]	62 [7]	62 [7]	207 [23]	63 [7]	62 [7]	61 [7]	2.72 [0,31]	9.7 [1,1]
NTR23-300	300:1	104 [12]	104 [12]	103 [12]	319 [36]	104 [12]	104 [12]	103 [12]	2.84 [0,32]	8.0 [0,9]
NTR23-400	400:1	77 [9]	76 [9]	76 [9]	274 [31]	77 [9]	76 [9]	76 [9]	2.71 [0,31]	9.0 [1,0]
NTR23-500	500:1	63 [7]	63 [7]	62 [7]	207 [23]	63 [7]	63 [7]	62 [7]	2.66 [0,30]	9.6 [1,1]

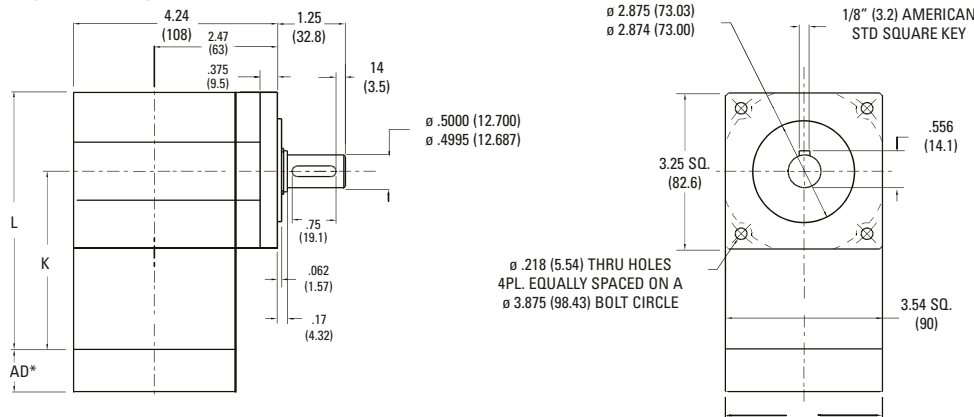
Ratio 5P is designed using only PowerTRUE face gearing technology.
Ratio 5T adds a True Planetary gearing stage for increased torque capacity.
¹ Ratios are exact, higher ratios and other custom options are also available, consult factory.

T_r = Rated output torque at rated speed for specific hours of life.
J = Mass moment of inertia reflected to the input shaft (including pinion assembly)
T_{peak} = Allowable momentary peak torque for emergency stop or heavy shock loading.

NemaTRUE™ 90 Size 34

Right Angle Gearheads

English



Ratio ¹	Dimension 'K' in [mm]	Dimension 'L' in [mm]	Backlash [arc-min]	Weight lb [kg]	Efficiency
1:1 to 5:1P	3.99 [101]	5.76 [146]	13 max	6.0 [2,7]	98%
5:1T to 50:1	4.89 [124]	6.66 [169]	15 max	7.4 [3,4]	93%
60:1 to 500:1	5.79 [147]	7.56 [192]	15 max	8.8 [4,0]	88%

Dimensions are inch (mm)
 AD** = Adapter length
 Adapter length will vary depending on motor.
 Efficiency is calculated at 100% of the rated torque.

Performance Specifications

Part Number	Ratio ¹	10000 Hour Life			T _{peak} in-lb [Nm]	20000 Hour Life			J in-lb-sec ² x10 ⁻⁴ [kg-cm ²]	Torsional Stiffness in-lb/arc-min [Nm/arc-min]
		T _r (1000 rpm) in-lb [Nm]	T _r (3000 rpm) in-lb [Nm]	T _r (5000 rpm) in-lb [Nm]		T _r (1000 rpm) in-lb [Nm]	T _r (3000 rpm) in-lb [Nm]	T _r (5000 rpm) in-lb [Nm]		
NTR34-001	1:1	168 [19]	153 [17]	139 [16]	493 [56]	155 [18]	142 [16]	128 [14]	27.5 [3,11]	12.6 [1,4]
NTR34-002	2:1	381 [43]	348 [39]	315 [36]	1113 [126]	352 [40]	321 [36]	291 [33]	14.1 [1,59]	19.1 [2,2]
NTR34-003	3:1	251 [28]	229 [26]	207 [23]	905 [102]	232 [26]	212 [24]	192 [22]	12.1 [1,37]	21.5 [2,4]
NTR34-004	4:1	192 [22]	176 [20]	159 [18]	695 [79]	178 [20]	162 [18]	147 [17]	11.2 [1,27]	22.6 [2,5]
NTR34-005P	5:1P	142 [16]	129 [15]	117 [13]	581 [66]	131 [15]	119 [13]	108 [12]	11.0 [1,25]	23.1 [2,6]
NTR34-005T	5:1T	508 [57]	432 [49]	420 [47]	1113 [126]	497 [56]	399 [45]	387 [44]	14.5 [1,64]	23.1 [2,6]
NTR34-006	6:1	448 [51]	381 [43]	370 [42]	1113 [126]	439 [50]	352 [40]	342 [39]	14.4 [1,63]	15.0 [1,7]
NTR34-009	9:1	296 [33]	251 [28]	244 [28]	986 [111]	289 [33]	232 [26]	225 [25]	12.1 [1,37]	19.0 [2,1]
NTR34-010	10:1	462 [52]	422 [48]	381 [43]	1113 [126]	456 [52]	404 [46]	352 [40]	13.7 [1,54]	14.8 [1,7]
NTR34-012	12:1	226 [26]	192 [22]	187 [21]	752 [85]	221 [25]	178 [20]	173 [19]	11.6 [1,31]	20.9 [2,4]
NTR34-015	15:1	305 [34]	278 [31]	251 [28]	1018 [115]	301 [34]	266 [30]	232 [26]	11.3 [1,28]	21.9 [2,5]
NTR34-020	20:1	233 [26]	213 [24]	192 [22]	1113 [126]	230 [26]	204 [23]	178 [20]	10.8 [1,22]	20.8 [2,4]
NTR34-025	25:1	172 [19]	157 [18]	142 [16]	635 [72]	169 [19]	150 [17]	131 [15]	10.6 [1,20]	21.9 [2,5]
NTR34-030	30:1	311 [35]	298 [34]	285 [32]	1045 [118]	309 [35]	292 [33]	275 [31]	11.1 [1,25]	17.9 [2,0]
NTR34-040	40:1	238 [27]	228 [26]	218 [25]	792 [89]	237 [27]	224 [25]	210 [24]	10.6 [1,19]	20.2 [2,3]
NTR34-050	50:1	175 [20]	168 [19]	160 [18]	653 [74]	174 [20]	165 [19]	155 [18]	10.4 [1,17]	21.4 [2,4]
NTR34-060	60:1	479 [54]	472 [53]	465 [53]	1113 [126]	478 [54]	469 [53]	460 [52]	14.4 [1,63]	14.5 [1,6]
NTR34-075	75:1	315 [36]	310 [35]	305 [34]	1080 [122]	314 [36]	308 [35]	301 [34]	11.6 [1,31]	18.7 [2,1]
NTR34-090	90:1	316 [36]	311 [35]	307 [35]	1085 [123]	315 [36]	309 [35]	304 [34]	12.1 [1,37]	18.6 [2,1]
NTR34-100	100:1	480 [54]	476 [54]	472 [53]	1113 [126]	479 [54]	474 [54]	469 [53]	13.7 [1,55]	14.6 [1,7]
NTR34-120	120:1	242 [27]	238 [27]	235 [27]	817 [92]	241 [27]	237 [27]	232 [26]	11.6 [1,31]	20.7 [2,3]
NTR34-125	125:1	178 [20]	175 [20]	172 [19]	666 [75]	177 [20]	173 [20]	169 [19]	10.8 [1,23]	21.8 [2,5]
NTR34-150	150:1	317 [36]	314 [35]	311 [35]	1096 [124]	316 [36]	313 [35]	309 [35]	11.4 [1,29]	18.7 [2,1]
NTR34-200	200:1	481 [54]	479 [54]	477 [54]	1113 [126]	481 [54]	478 [54]	475 [54]	13.5 [1,52]	13.6 [1,5]
NTR34-250	250:1	178 [20]	177 [20]	175 [20]	675 [76]	178 [20]	176 [20]	174 [20]	10.7 [1,21]	21.8 [2,5]
NTR34-300	300:1	317 [36]	316 [36]	315 [36]	1107 [125]	317 [36]	315 [36]	314 [35]	11.1 [1,26]	17.9 [2,0]
NTR34-400	400:1	243 [27]	242 [27]	241 [27]	832 [94]	243 [27]	241 [27]	240 [27]	10.6 [1,20]	20.2 [2,3]
NTR34-500	500:1	179 [20]	178 [20]	177 [20]	680 [77]	179 [20]	178 [20]	177 [20]	10.4 [1,18]	21.4 [2,4]

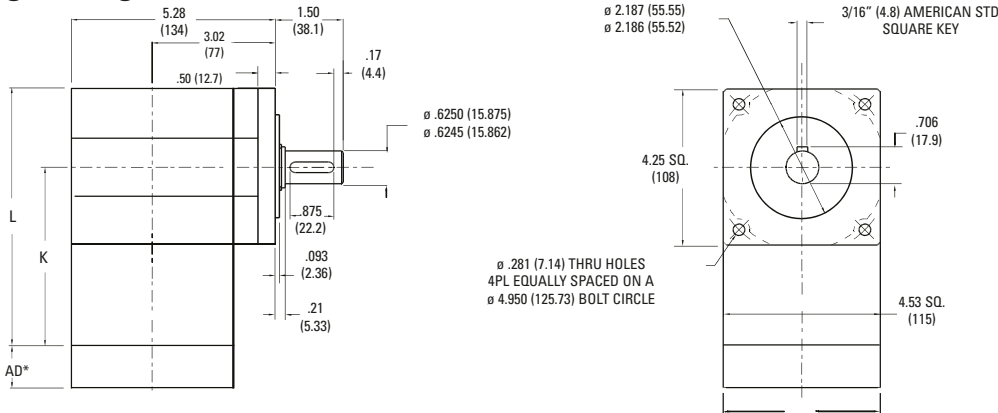
Ratio 5P is designed using only PowerTRUE face gearing technology.
 Ratio 5T adds a True Planetary gearing stage for increased torque capacity.
¹ Ratios are exact, higher ratios and other custom options are also available, consult factory.

T_r = Rated output torque at rated speed for specific hours of life.
 J = Mass moment of inertia reflected to the input shaft (including pinion assembly)
 T_{peak} = Allowable momentary peak torque for emergency stop or heavy shock loading.

NemaTRUE™ 90 Size 42

Right Angle Gearheads

English



Ratio ¹	Dimension 'K' in [mm]	Dimension 'L' in [mm]	Backlash [arc-min]	Weight lb [kg]	Efficiency
1:1 to 5:1P	5.40 [137]	7.67 [195]	13 max	12 [5,4]	98%
5:1T to 50:1	6.63 [168,4]	8.90 [226]	15 max	14.8 [6,7]	93%
60:1 to 500:1	7.87 [200]	10.13 [257]	15 max	17.6 [8,0]	88%

Dimensions are inch (mm)
 AD** = Adapter length
 Adapter length will vary depending on motor.
 Efficiency is calculated at 100% of the rated torque.

Performance Specifications

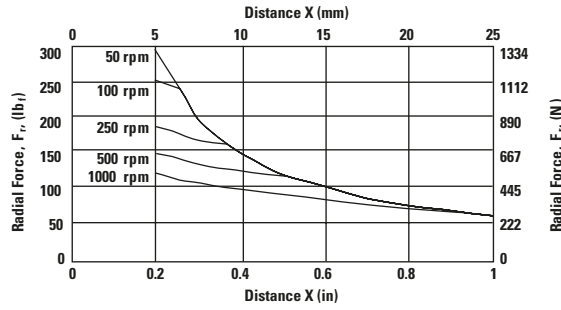
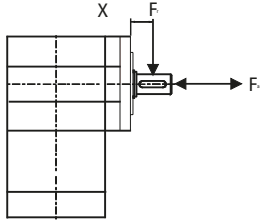
Part Number	Ratio ¹	10000 Hour Life			T _{peak} in-lb [Nm]	20000 Hour Life			J in-lb-sec ² x10 ⁻⁴ [kg-cm ²]	Torsional Stiffness in-lb/arc-min [Nm/arc-min]
		T _r (1000 rpm) in-lb [Nm]	T _r (3000 rpm) in-lb [Nm]	T _r (5000 rpm) in-lb [Nm]		T _r (1000 rpm) in-lb [Nm]	T _r (3000 rpm) in-lb [Nm]	T _r (5000 rpm) in-lb [Nm]		
NTR42-001	1:1	496 [56]	452 [51]	409 [46]	1620 [183]	458 [52]	418 [47]	378 [43]	46.7 [5,28]	15.0 [1,7]
NTR42-002	2:1	885 [100]	808 [91]	730 [83]	2255 [255]	817 [92]	746 [84]	674 [76]	23.9 [2,71]	24.7 [2,8]
NTR42-003	3:1	687 [78]	627 [71]	567 [64]	2039 [230]	635 [72]	579 [65]	524 [59]	20.6 [2,33]	28.0 [3,2]
NTR42-004	4:1	458 [52]	418 [47]	378 [43]	1584 [179]	423 [48]	386 [44]	349 [39]	19.1 [2,16]	29.4 [3,3]
NTR42-005P	5:1P	343 [39]	313 [35]	283 [32]	1305 [147]	317 [36]	289 [33]	261 [30]	18.8 [2,12]	30.0 [3,4]
NTR42-005T	5:1T	1346 [152]	1117 [126]	958 [108]	2255 [255]	1262 [143]	907 [102]	778 [88]	24.6 [2,78]	30.0 [3,4]
NTR42-006	6:1	1041 [118]	885 [100]	859 [97]	2255 [255]	1018 [115]	817 [92]	794 [90]	24.5 [2,77]	20.1 [2,3]
NTR42-009	9:1	808 [91]	687 [78]	667 [75]	2241 [253]	791 [89]	635 [72]	616 [70]	20.5 [2,32]	25.1 [2,8]
NTR42-010	10:1	1072 [121]	979 [111]	885 [100]	2255 [255]	1059 [120]	938 [106]	817 [92]	23.2 [2,63]	20.1 [2,3]
NTR42-012	12:1	538 [61]	458 [52]	444 [50]	1728 [195]	526 [59]	423 [48]	410 [46]	19.6 [2,22]	27.5 [3,1]
NTR42-015	15:1	832 [94]	760 [86]	687 [78]	2255 [255]	822 [93]	728 [82]	635 [72]	19.3 [2,18]	28.8 [3,3]
NTR42-020	20:1	554 [63]	506 [57]	458 [52]	2255 [255]	547 [62]	485 [55]	423 [48]	18.4 [2,08]	27.5 [3,1]
NTR42-025	25:1	416 [47]	379 [43]	343 [39]	1458 [165]	410 [46]	364 [41]	317 [36]	18.0 [2,04]	28.8 [3,2]
NTR42-030	30:1	851 [96]	814 [92]	778 [88]	2255 [255]	845 [96]	798 [90]	752 [85]	18.9 [2,13]	24.6 [2,8]
NTR42-040	40:1	566 [64]	542 [61]	518 [59]	1836 [207]	563 [64]	532 [60]	500 [57]	18.0 [2,03]	27.2 [3,1]
NTR42-050	50:1	425 [48]	407 [46]	388 [44]	1499 [169]	422 [48]	399 [45]	375 [42]	17.6 [1,99]	28.5 [3,2]
NTR42-060	60:1	1111 [126]	1095 [124]	1080 [122]	2255 [255]	1109 [125]	1089 [123]	1069 [121]	24.6 [2,78]	19.7 [2,2]
NTR42-075	75:1	861 [97]	847 [96]	832 [94]	2255 [255]	859 [97]	841 [95]	822 [93]	19.7 [2,22]	25.0 [2,8]
NTR42-090	90:1	863 [97]	851 [96]	838 [95]	2255 [255]	861 [97]	845 [96]	830 [94]	20.6 [2,33]	24.8 [2,8]
NTR42-100	100:1	1114 [126]	1105 [125]	1095 [124]	2255 [255]	1113 [126]	1101 [124]	1089 [123]	23.3 [2,64]	19.9 [2,2]
NTR42-120	120:1	574 [65]	566 [64]	558 [63]	1897 [214]	573 [65]	563 [64]	552 [62]	19.7 [2,23]	27.3 [3,1]
NTR42-125	125:1	430 [49]	423 [48]	416 [47]	1539 [174]	429 [48]	420 [47]	410 [46]	18.4 [2,08]	28.7 [3,2]
NTR42-150	150:1	865 [98]	858 [97]	851 [96]	2255 [255]	864 [98]	855 [97]	845 [96]	19.4 [2,19]	25.0 [2,8]
NTR42-200	200:1	1116 [126]	1112 [126]	1107 [125]	2255 [255]	1116 [126]	1110 [125]	1104 [125]	22.9 [2,59]	19.4 [2,2]
NTR42-250	250:1	432 [49]	428 [48]	425 [48]	1562 [176]	431 [49]	427 [48]	422 [48]	18.1 [2,05]	28.7 [3,2]
NTR42-300	300:1	867 [98]	863 [98]	860 [97]	2255 [255]	866 [98]	862 [97]	857 [97]	18.9 [2,14]	24.6 [2,8]
NTR42-400	400:1	577 [65]	575 [65]	572 [65]	1944 [220]	577 [65]	574 [65]	571 [64]	18.1 [2,04]	27.1 [3,1]
NTR42-500	500:1	433 [49]	431 [49]	429 [48]	1580 [178]	433 [49]	430 [49]	428 [48]	17.7 [2,00]	28.5 [3,2]

Ratio 5P is designed using only PowerTRUE face gearing technology.
 Ratio 5T adds a True Planetary gearing stage for increased torque capacity.
¹ Ratios are exact, higher ratios and other custom options are also available, consult factory.

T_r = Rated output torque at rated speed for specific hours of life.
 J = Mass moment of inertia reflected to the input shaft (including pinion assembly)
 T_{peak} = Allowable momentary peak torque for emergency stop or heavy shock loading.

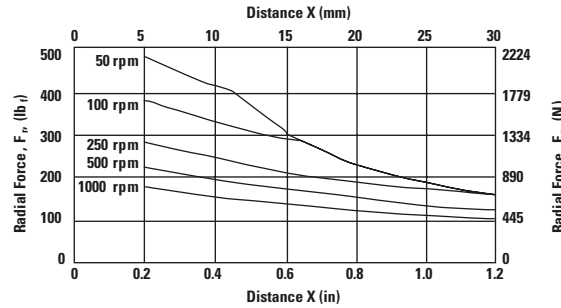
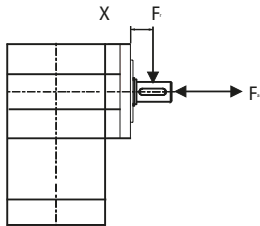
Radial and Axial Load Ratings

NTR23



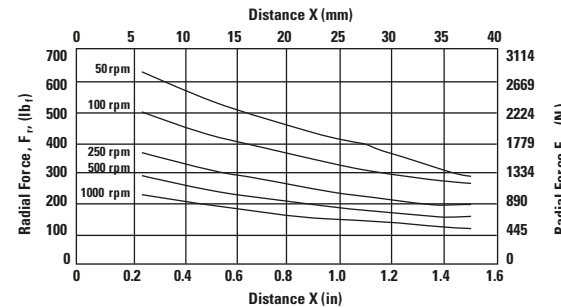
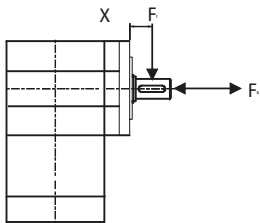
Speed rpm	Axial Load, F_a lb _f [N]
50	250 [1110]
100	200 [890]
250	150 [670]
500	120 [530]
1000	90 [400]

NTR34



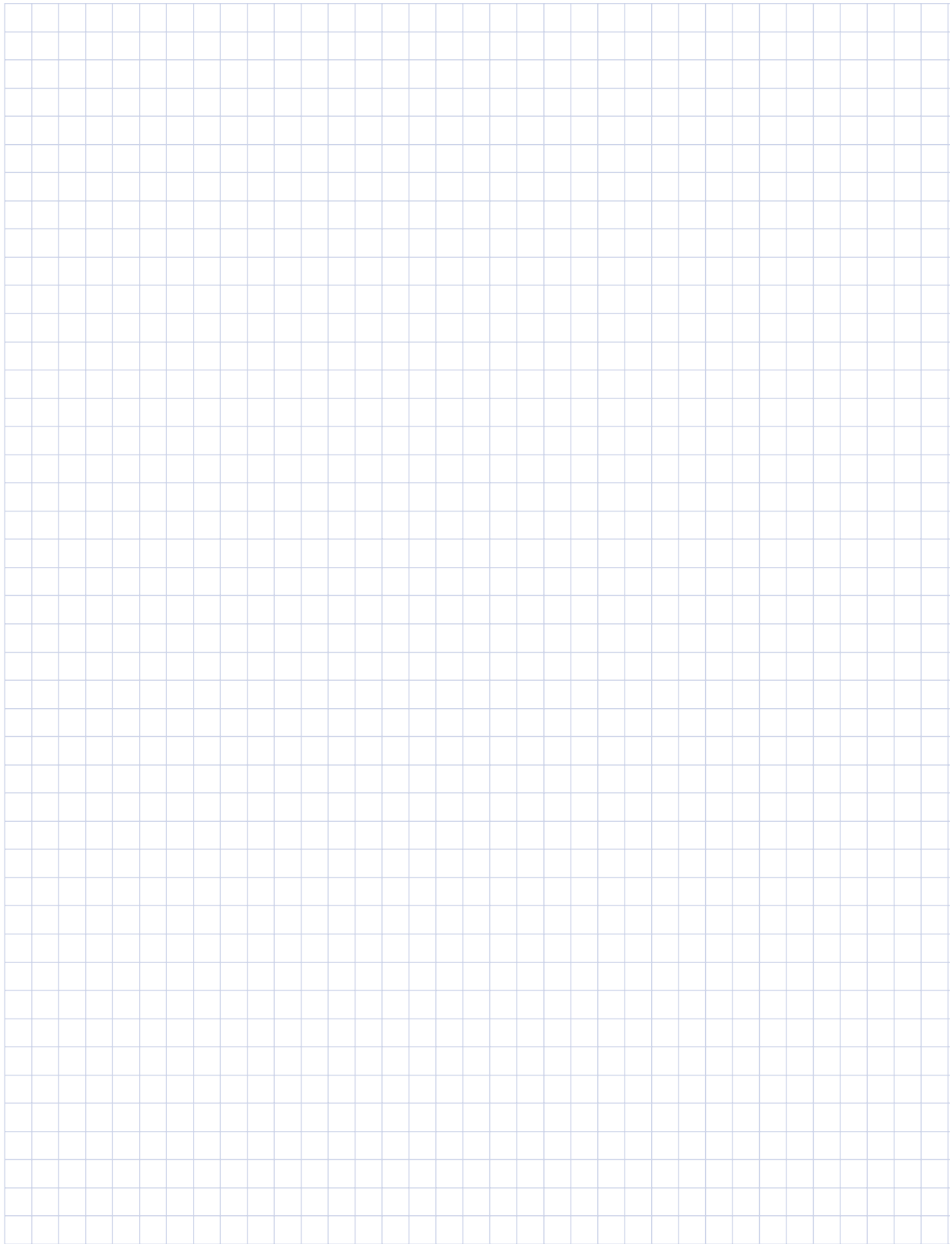
Speed rpm	Axial Load, F_a lb _f [N]
50	340 [1510]
100	270 [1200]
250	200 [890]
500	160 [710]
1000	130 [580]

NTR42



Speed rpm	Axial Load, F_a lb _f [N]
50	460 [2050]
100	370 [1650]
250	270 [1200]
500	210 [930]
1000	170 [760]

These graphs display the allowable radial load at a given distance (X) from the mounting surface based on an L_{10} life of 10,000 hours for the mean output speed n_{mout} , as described on page 9.

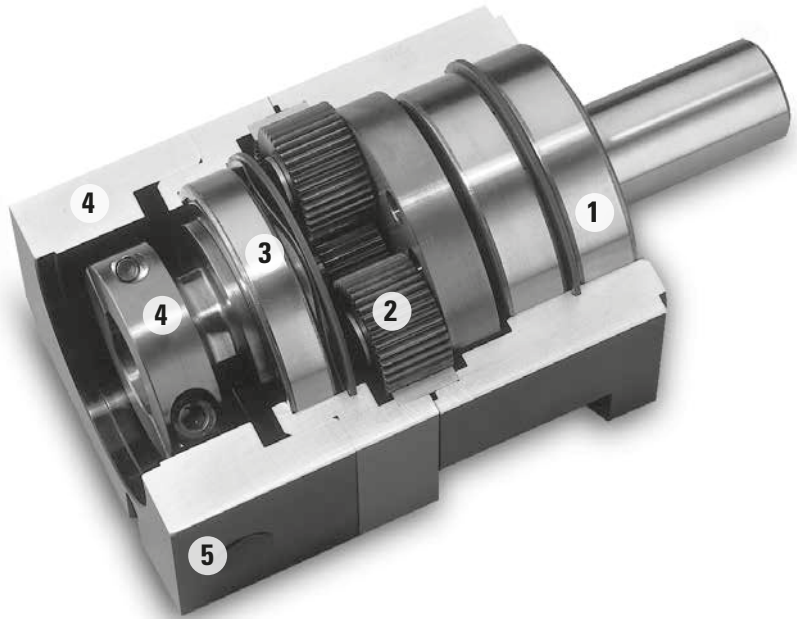


DuraTRUE™

True™ Planetary Gearheads

Ready for Immediate Delivery	
Precision	8 arc-minutes
Frame Sizes	60mm, 90mm, 115mm and 142mm
Torque Capacity	up to 834 Nm
Ratio Availability	3:1 thru 100:1
Radial load capacity	up to 11150 N
Mounting System	RediMount™

- 1 Sealed deep groove ball bearings**
provide high radial load carrying capability
- 2 HRC 55-60 steel gears**
provide superior wear resistance
and increased backlash integrity
- 3 Sealed deep groove ball bearing**
provides precision alignment of sun gear
- 4 RediMount system**
provides error-free motor installation
- 5 Anodized aluminum housing**
reduces weight and prevents corrosion



*Micron True™ Planetary Gearheads
shipped within 24 hours!*

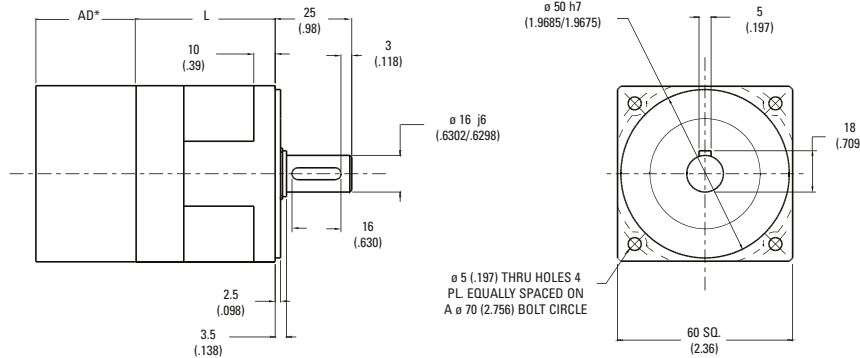


*Need it fast? Go to the back cover
of the catalog for details.*

DuraTRUE™ Size 60

True™ Planetary Gearheads

Metric



Ratio ¹	Dimension 'L' mm [in]	Backlash [arc-min]	Weight kg [lb]	Efficiency
3:1 to 10:1	53 [2.07]	8 max	1,0 [2.2]	93%
15:1 to 100:1	70 [2.76]	9 max	1,2 [2.7]	88%

All dimensions are: mm (inch)
 AD** = Adapter length
 Adapter length will vary depending on motor.
 Efficiency is calculated at 100% of the rated torque.

Performance Specifications

Part Number	Ratio ¹	10000 Hour Life				T _{peak} Nm [in-lb]	20000 Hour Life				J kg-cm ² [in-lb-sec ² x10 ⁻⁴]	Torsional Stiffness Nm/arc-min [in-lb/arc-min]
		T _r (1000 rpm) Nm [in-lb]	T _r (2000 rpm) Nm [in-lb]	T _r (3000 rpm) Nm [in-lb]	T _r (4000 rpm) Nm [in-lb]		T _r (1000 rpm) Nm [in-lb]	T _r (2000 rpm) Nm [in-lb]	T _r (3000 rpm) Nm [in-lb]	T _r (4000 rpm) Nm [in-lb]		
DT60-003	3:1	15 [134]	12 [109]	11 [97]	89 [10]	52 [460]	12 [109]	10 [89]	9 [79]	8 [72]	0,52 [4.6]	0,9 [8.1]
DT60-004	4:1	19 [168]	16 [142]	14 [124]	115 [13]	44 [385]	16 [142]	13 [115]	12 [106]	11 [97]	0,46 [4.1]	0,9 [7.9]
DT60-005	5:1	17 [148]	14 [120]	12 [106]	98 [11]	46 [410]	14 [120]	11 [98]	10 [86]	9 [79]	0,46 [4.1]	0,9 [7.9]
DT60-007	7:1	16 [142]	13 [115]	11 [97]	89 [10]	41 [363]	13 [115]	10 [89]	9 [80]	8 [71]	0,46 [4.1]	0,9 [7.9]
DT60-010	10:1	15 [134]	14 [121]	13 [114]	108 [12]	45 [400]	14 [124]	13 [112]	11 [100]	10 [92]	0,44 [3.9]	0,8 [6.8]
DT60-015	15:1	25 [218]	20 [177]	18 [157]	144 [16]	52 [460]	20 [177]	16 [144]	14 [127]	13 [117]	0,46 [4.1]	0,9 [8.2]
DT60-020	20:1	26 [230]	24 [212]	21 [186]	177 [20]	46 [407]	24 [212]	20 [177]	18 [159]	17 [150]	0,46 [4.1]	0,9 [7.9]
DT60-025	25:1	24 [214]	22 [195]	19 [172]	158 [18]	52 [456]	22 [195]	18 [158]	16 [140]	15 [128]	0,46 [4.1]	0,9 [8.3]
DT60-030	30:1	28 [246]	25 [218]	22 [193]	177 [20]	52 [460]	25 [218]	20 [177]	18 [157]	16 [144]	0,44 [3.9]	1,0 [8.7]
DT60-040	40:1	27 [239]	26 [230]	26 [230]	212 [24]	46 [407]	27 [239]	24 [212]	21 [186]	20 [177]	0,44 [3.9]	0,9 [8.3]
DT60-050	50:1	25 [222]	24 [214]	24 [209]	195 [22]	52 [460]	25 [217]	22 [195]	19 [172]	18 [158]	0,44 [3.9]	0,9 [8.2]
DT60-070	70:1	24 [212]	23 [204]	23 [204]	186 [21]	46 [407]	24 [212]	21 [186]	18 [159]	17 [150]	0,44 [3.9]	0,9 [8.3]
DT60-100	100:1	20 [180]	19 [165]	18 [157]	151 [17]	51 [447]	19 [167]	17 [153]	16 [145]	16 [140]	0,44 [3.9]	0,9 [7.8]

All ratios are available to ship in 24 hours through the Gearhead Express Program.

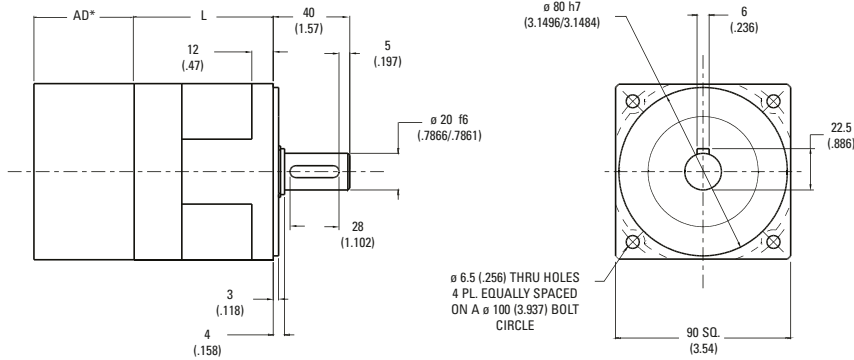
¹ Ratios are exact, higher ratios and other custom options are also available, consult factory.
 T_r = Rated output torque at rated speed for specific hours of life.

T_{peak} = Allowable momentary peak torque for emergency stop or heavy shock loading.
 J = Mass moment of inertia reflected to the input shaft (including pinion assembly).

DuraTRUE™ Size 90

True™ Planetary Gearheads

Metric



Ratio ¹	Dimension 'L' mm [in]	Backlash [arc-min]	Weight kg [lb]	Efficiency
3:1 to 10:1	67 [2.63]	8 max	3,0 [6.6]	93%
15:1 to 100:1	90 [3.53]	9 max	3,7 [8.1]	88%

All dimensions are: mm (inch)
 AD** = Adapter length
 Adapter length will vary depending on motor.
 Efficiency is calculated at 100% of the rated torque.

Performance Specifications

Part Number	Ratio ¹	10000 Hour Life				T _{peak} Nm [in-lb]	20000 Hour Life				J kg-cm ² [in-lb-sec ² x10 ⁻⁴]	Torsional Stiffness Nm/arc-min [in-lb/arc-min]
		T _r (1000 rpm) Nm [in-lb]	T _r (2000 rpm) Nm [in-lb]	T _r (3000 rpm) Nm [in-lb]	T _r (4000 rpm) Nm [in-lb]		T _r (1000 rpm) Nm [in-lb]	T _r (2000 rpm) Nm [in-lb]	T _r (3000 rpm) Nm [in-lb]	T _r (4000 rpm) Nm [in-lb]		
DT90-003	3:1	69 [614]	56 [499]	50 [442]	46 [405]	167 [1479]	56 [499]	46 [405]	41 [359]	37 [329]	2,22 [1.97]	4,9 [43.3]
DT90-004	4:1	80 [708]	67 [593]	60 [531]	55 [487]	157 [1389]	67 [593]	55 [487]	50 [443]	46 [407]	1,84 [1.60]	4,8 [42.4]
DT90-005	5:1	75 [664]	62 [549]	55 [486]	50 [446]	157 [1385]	62 [549]	50 [446]	45 [395]	41 [362]	1,76 [1.56]	4,8 [42.9]
DT90-007	7:1	73 [646]	60 [531]	53 [469]	48 [425]	157 [1389]	60 [531]	48 [425]	43 [381]	38 [336]	1,72 [1.50]	4,8 [42.4]
DT90-010	10:1	55 [488]	50 [439]	46 [411]	44 [392]	157 [1390]	51 [452]	46 [407]	43 [381]	41 [363]	1,63 [1.44]	4,0 [35.6]
DT90-015	15:1	93 [826]	84 [747]	79 [702]	74 [657]	167 [1479]	86 [764]	74 [657]	66 [582]	60 [534]	1,78 [1.58]	4,9 [43.7]
DT90-020	20:1	89 [788]	86 [761]	84 [743]	82 [726]	167 [1478]	88 [779]	84 [743]	77 [681]	71 [628]	1,77 [1.60]	4,8 [42.4]
DT90-025	25:1	84 [747]	81 [714]	78 [693]	77 [677]	167 [1479]	83 [730]	79 [698]	72 [640]	66 [587]	1,77 [1.56]	5,0 [44.5]
DT90-030	30:1	103 [908]	93 [826]	88 [780]	84 [747]	167 [1479]	95 [840]	86 [764]	81 [716]	74 [657]	1,64 [1.45]	4,9 [43.4]
DT90-040	40:1	93 [823]	89 [788]	87 [770]	86 [761]	167 [1478]	91 [805]	88 [779]	86 [761]	84 [743]	1,64 [1.40]	5,0 [44.2]
DT90-050	50:1	88 [776]	84 [747]	82 [728]	81 [714]	167 [1479]	86 [759]	83 [730]	81 [712]	79 [698]	1,63 [1.45]	5,0 [44.2]
DT90-070	70:1	86 [761]	82 [726]	80 [708]	79 [699]	167 [1478]	84 [743]	81 [717]	79 [699]	78 [690]	1,63 [1.40]	5,0 [44.2]
DT90-100	100:1	75 [663]	69 [608]	65 [576]	63 [555]	167 [1479]	69 [613]	64 [562]	60 [533]	58 [513]	1,63 [1.45]	4,4 [38.5]

All ratios are available to ship in 24 hours through the Gearhead Express Program.

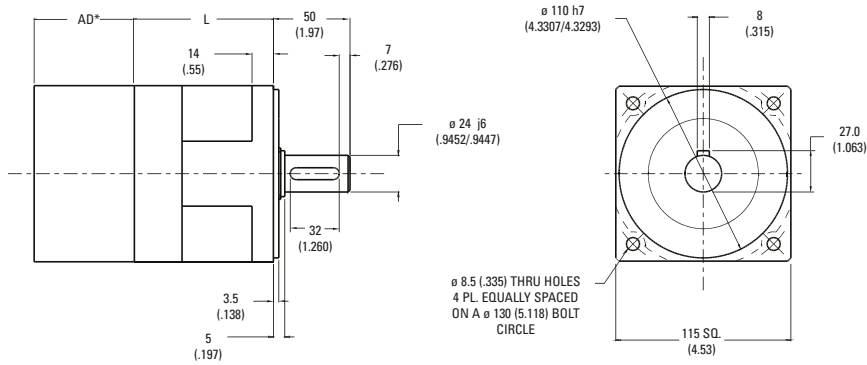
¹ Ratios are exact, higher ratios and other custom options are also available, consult factory.
 T_r = Rated output torque at rated speed for specific hours of life.

T_{peak} = Allowable momentary peak torque for emergency stop or heavy shock loading.
 J = Mass moment of inertia reflected to the input shaft (including pinion assembly).

DuraTRUE™ Size 115

True™ Planetary Gearheads

Metric



Ratio ¹	Dimension 'L' mm [in]	Backlash [arc-min]	Weight kg [lb]	Efficiency
3:1 to 10:1	88 [3.46]	8 max	5,7 [12.7]	93%
15:1 to 100:1	119 [4.69]	9 max	7,3 [16.2]	88%

All dimensions are: mm (inch)
 AD** = Adapter length
 Adapter length will vary depending on motor.
 Efficiency is calculated at 100% of the rated torque.

Performance Specifications

Part Number	Ratio ¹	10000 Hour Life				T _{peak} Nm [in-lb]	20000 Hour Life				J kg-cm ² [in-lb-sec ² x10 ⁻⁴]	Torsional Stiffness Nm/arc-min [in-lb/arc-min]
		T _r (1000 rpm) Nm [in-lb]	T _r (2000 rpm) Nm [in-lb]	T _r (3000 rpm) Nm [in-lb]	T _r (4000 rpm) Nm [in-lb]		T _r (1000 rpm) Nm [in-lb]	T _r (2000 rpm) Nm [in-lb]	T _r (3000 rpm) Nm [in-lb]	T _r (4000 rpm) Nm [in-lb]		
DT115-003	3:1	105 [932]	86 [757]	76 [670]	70 [615]	284 [2511]	86 [757]	70 [615]	62 [544]	56 [499]	4,39 [3.88]	13,9 [123.4]
DT115-004	4:1	123 [1089]	98 [867]	91 [805]	85 [752]	284 [2513]	102 [903]	85 [752]	75 [664]	70 [620]	3,1 [2.7]	13,9 [122.7]
DT115-005	5:1	116 [1025]	91 [803]	83 [738]	77 [677]	284 [2511]	94 [833]	77 [677]	68 [599]	62 [550]	2,88 [2.55]	11,6 [102.4]
DT115-007	7:1	113 [1000]	88 [779]	81 [717]	75 [664]	284 [2513]	92 [814]	75 [664]	65 [575]	60 [531]	2,81 [2.5]	13,9 [122.7]
DT115-010	10:1	90 [796]	81 [715]	76 [668]	72 [635]	284 [2511]	83 [737]	75 [661]	70 [618]	66 [588]	2,47 [2.18]	11,6 [102.4]
DT115-015	15:1	171 [1510]	139 [1226]	123 [1086]	113 [996]	284 [2511]	139 [1226]	113 [996]	100 [882]	91 [809]	2,95 [2.61]	12,9 [114.1]
DT115-020	20:1	175 [1549]	161 [1425]	143 [1266]	132 [1168]	284 [2513]	161 [1425]	132 [1168]	118 [1044]	109 [965]	2,95 [2.6]	13,9 [122.7]
DT115-025	25:1	167 [1474]	153 [1350]	135 [1195]	124 [1096]	284 [2511]	153 [1350]	124 [1096]	110 [971]	101 [891]	2,90 [2.57]	14,1 [125.0]
DT115-030	30:1	203 [1794]	171 [218]	151 [1337]	139 [1226]	284 [2513]	171 [1510]	139 [1226]	123 [1086]	113 [996]	2,48 [2.20]	14,1 [124.4]
DT115-040	40:1	181 [1602]	175 [1549]	190 [1682]	161 [1425]	284 [2513]	178 [1575]	161 [1425]	143 [1266]	132 [1168]	2,47 [2.2]	14,1 [124.4]
DT115-050	50:1	173 [1535]	167 [1474]	162 [1435]	153 [1350]	284 [2511]	170 [1510]	153 [1350]	135 [1195]	124 [1096]	2,47 [2.19]	14,1 [125.0]
DT115-070	70:1	171 [1513]	165 [1460]	180 [1593]	151 [1336]	284 [2513]	168 [1487]	151 [1336]	133 [1177]	122 [1080]	2,47 [2.2]	14,1 [124.4]
DT115-100	100:1	123 [1087]	112 [995]	107 [943]	103 [907]	284 [2511]	114 [1006]	104 [921]	99 [873]	95 [840]	2,47 [2.19]	11,4 [100.6]

All ratios are available to ship in 24 hours through the Gearhead Express Program.

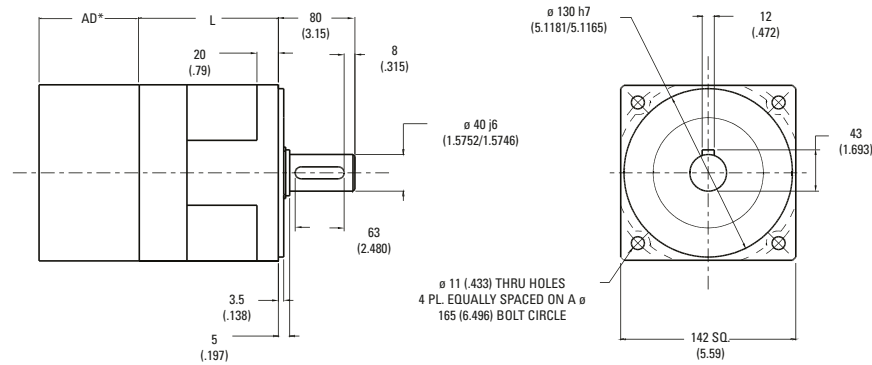
¹ Ratios are exact, higher ratios and other custom options are also available, consult factory.
 T_r = Rated output torque at rated speed for specific hours of life.

T_{peak} = Allowable momentary peak torque for emergency stop or heavy shock loading.
 J = Mass moment of inertia reflected to the input shaft (including pinion assembly).

DuraTRUE™ Size 142

True™ Planetary Gearheads

Metric



Ratio ¹	Dimension 'L' mm [in]	Backlash [arc-min]	Weight kg [lb]	Efficiency
3:1 to 10:1	121 [4.77]	8 max	12,8 [28.3]	93%
15:1 to 100:1	170 [6.71]	9 max	17,2 [38.0]	88%

All dimensions are: mm (inch)

AD** = Adapter length

Adapter length will vary depending on motor.

Efficiency is calculated at 100% of the rated torque.

Performance Specifications

Part Number	Ratio ¹	10000 Hour Life				T _{peak} Nm [in-lb]	20000 Hour Life				J kg-cm ² [in-lb-sec ² x10 ⁻⁴]	Torsional Stiffness Nm/arc-min [in-lb/arc-min]
		T _r (1000 rpm) Nm [in-lb]	T _r (2000 rpm) Nm [in-lb]	T _r (3000 rpm) Nm [in-lb]	T _r (4000 rpm) Nm [in-lb]		T _r (1000 rpm) Nm [in-lb]	T _r (2000 rpm) Nm [in-lb]	T _r (3000 rpm) Nm [in-lb]	T _r (4000 rpm) Nm [in-lb]		
DT142-003	3:1	372 [3289]	302 [2671]	267 [2365]	245 [2170]	834 [7377]	302 [2671]	245 [2170]	217 [1921]	199 [1762]	23,2 [2.05]	51,8 [458.7]
DT142-004	4:1	430 [3806]	353 [3124]	315 [2788]	290 [2567]	834 [7381]	353 [3124]	290 [2567]	259 [2292]	239 [2115]	15,1 [1.3]	52,9 [467.1]
DT142-005	5:1	410 [3625]	333 [2944]	295 [2607]	270 [2391]	834 [7377]	333 [2944]	270 [2391]	239 [2118]	219 [1942]	14,7 [1.30]	52,6 [465.1]
DT142-007	7:1	405 [3584]	328 [2903]	290 [2597]	265 [2345]	834 [7381]	328 [2903]	265 [2345]	234 [2071]	214 [1894]	14,5 [1.3]	50,5 [445.9]
DT142-010	10:1	229 [2022]	204 [1808]	190 [1685]	181 [1598]	834 [7377]	211 [1871]	189 [1673]	176 [1559]	167 [1479]	12,1 [1.07]	41,3 [365.1]
DT142-015	15:1	524 [4634]	471 [4167]	433 [3833]	397 [3516]	834 [7377]	484 [4287]	397 [3516]	352 [3114]	323 [2856]	15,1 [1.34]	59,6 [527.6]
DT142-020	20:1	500 [4425]	476 [4213]	461 [4080]	450 [3983]	834 [7381]	489 [4328]	458 [4053]	408 [3611]	376 [3328]	14,8 [1.3]	58,5 [516.6]
DT142-025	25:1	480 [4248]	456 [4038]	441 [3903]	430 [3801]	834 [7377]	469 [4154]	438 [3876]	388 [3432]	356 [3148]	14,8 [1.31]	57,7 [510.6]
DT142-030	30:1	578 [5113]	524 [4634]	493 [4359]	471 [4167]	834 [7377]	535 [4731]	484 [4287]	433 [3833]	397 [3516]	12,2 [1.08]	59,9 [529.9]
DT142-040	40:1	521 [4611]	500 [4425]	486 [4301]	476 [4213]	834 [7381]	510 [4514]	489 [4328]	476 [4213]	458 [4053]	12,9 [1.1]	57,5 [507.7]
DT142-050	50:1	501 [4435]	480 [4248]	466 [4128]	456 [4038]	834 [7377]	490 [4336]	469 [4154]	456 [4037]	438 [3876]	12,1 [1.07]	57,8 [511.1]
DT142-070	70:1	496 [4390]	475 [4204]	461 [4080]	451 [3991]	834 [7381]	485 [4292]	464 [4106]	451 [3991]	433 [3882]	12,1 [1.1]	54,4 [480.4]
DT142-100	100:1	314 [2782]	287 [2543]	272 [2408]	262 [2314]	834 [7377]	291 [2574]	266 [2353]	252 [2228]	242 [2141]	12,1 [1.07]	42,9 [379.5]

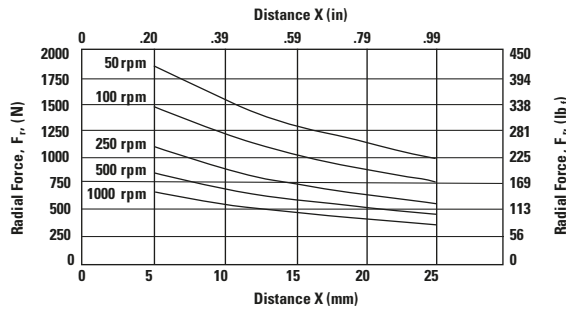
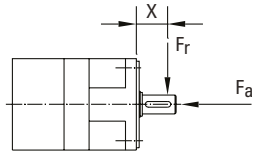
All ratios are available to ship in 24 hours through the Gearhead Express Program.

¹ Ratios are exact, higher ratios and other custom options are also available, consult factory.
T_r = Rated output torque at rated speed for specific hours of life.

T_{peak} = Allowable momentary peak torque for emergency stop or heavy shock loading.
J = Mass moment of inertia reflected to the input shaft (including pinion assembly).

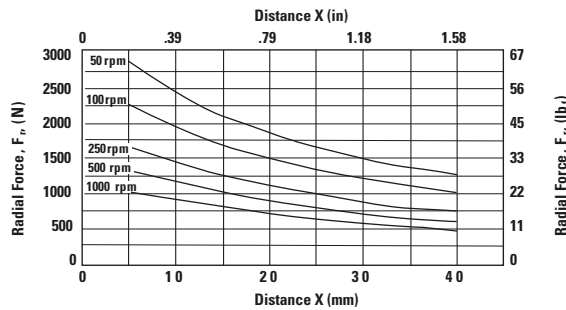
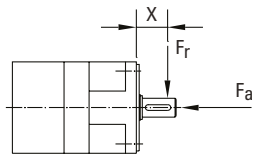
Radial and Axial Load Ratings

DT60



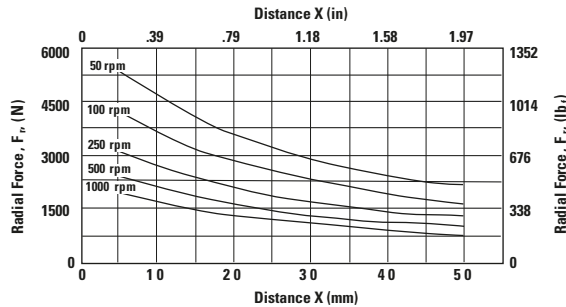
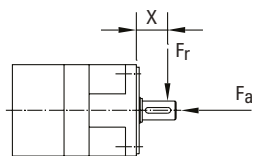
Speed rpm	Axial Load, F_a N [lb _f]
50	3075 [692]
100	2441 [549]
250	1798 [405]
500	1427 [321]
1000	1133 [255]

DT90



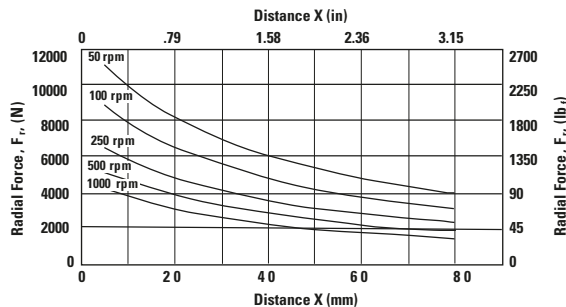
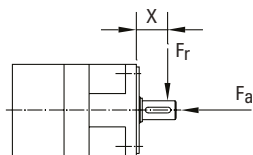
Speed rpm	Axial Load, F_a N [lb _f]
50	4506 [1014]
100	3576 [805]
250	2635 [593]
500	2091 [471]
1000	1660 [373]

DT115



Speed rpm	Axial Load, F_a N [lb _f]
50	8196 [1844]
100	6505 [1464]
250	4793 [1078]
500	3804 [856]
1000	3019 [679]

DT142



Speed rpm	Axial Load, F_a N [lb _f]
50	17023 [3830]
100	13511 [3040]
250	9956 [2240]
500	7902 [1778]
1000	6271 [1411]

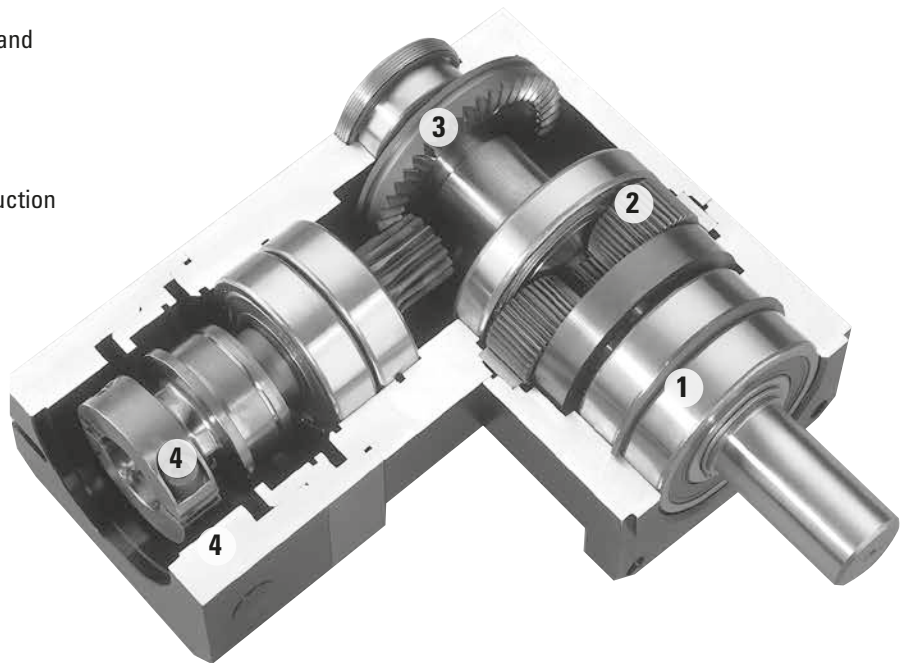
These graphs display the allowable radial load at a given distance (X) from the mounting surface based on an L_{10} life of 10,000 hours for the mean output speed n_{mout} , as described on page 9.

DuraTRUE 90™

Right Angle Gearheads

Ready for Immediate Delivery	
Precision	8 arc-minutes
Frame Sizes	60mm, 90mm, 115mm and 142mm
Torque Capacity	up to 865 Nm
Ratio Availability	1:1 thru 500:1
Radial load capacity	up to 11150 N
Mounting System	RediMount™

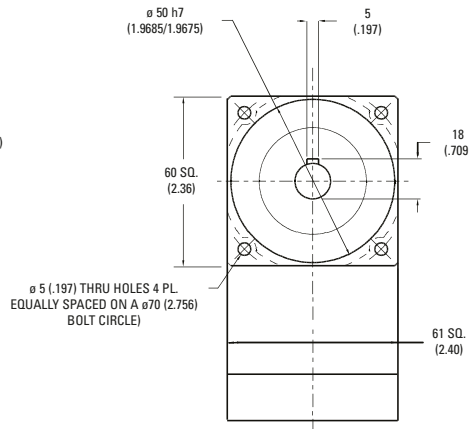
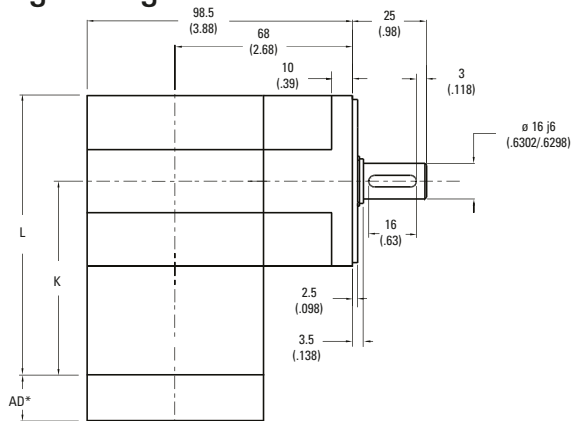
- ① **Deep groove ball bearings**
provide high radial load carrying capabilities
- ② **HRC 55-60 steel gears**
provide superior wear resistance and increased backlash integrity
- ③ **Innovative PowerTRUE™ gearing**
delivers smooth, quiet geared reduction
- ④ **RediMount system**
provides error-free installation



DuraTRUE 90™ Size 60

Right Angle Gearheads

Metric



Ratio ¹	Dimension 'K' mm [in]	Dimension 'L' mm [in]	Backlash [arc-min]	Weight kg [lb]	Efficiency
5:1 to 50:1	79 [3.11]	109,5 [4.31]	9 max	2,5 [5.5]	93%
60:1 to 500:1	96 [3.79]	127 [4.99]	9 max	2,7 [6]	88%

All dimensions are: mm (inch)

AD** = Adapter length

Adapter length will vary depending on motor.

Efficiency is calculated at 100% of the rated torque.

Performance Specifications

Part Number	Ratio ¹	10000 Hour Life			T _{peak} Nm [in-lb]	20000 Hour Life			J kg-cm ² [in-lb-sec ² ×10 ⁻⁴]	Torsional Stiffness Nm/arc-min [in-lb/arc-min]
		T _r (1000 rpm) Nm [in-lb]	T _r (3000 rpm) Nm [in-lb]	T _r (5000 rpm) Nm [in-lb]		T _r (1000 rpm) Nm [in-lb]	T _r (3000 rpm) Nm [in-lb]	T _r (5000 rpm) Nm [in-lb]		
DTR60-005	5:1	18 [157]	13 [113]	11 [97]	52 [460]	14 [127]	10 [92]	9 [79]	0,42 [3.7]	2,3 [20.1]
DTR60-006	6:1	19 [166]	13 [119]	12 [102]	52 [460]	15 [134]	11 [97]	9 [83]	0,42 [3.7]	2,3 [20.3]
DTR60-009	9:1	21 [187]	15 [134]	13 [115]	52 [460]	17 [152]	12 [109]	11 [94]	0,36 [3.1]	2,3 [20.2]
DTR60-010	10:1	21 [182]	15 [131]	13 [112]	49 [435]	17 [148]	12 [106]	10 [91]	0,41 [3.5]	2,3 [20.2]
DTR60-012	12:1	18 [161]	17 [147]	14 [126]	45 [402]	18 [161]	13 [119]	12 [102]	0,33 [3.0]	2,3 [20.4]
DTR60-015	15:1	23 [206]	17 [148]	14 [127]	50 [445]	19 [167]	14 [120]	12 [103]	0,32 [2.9]	2,3 [20.4]
DTR60-020	20:1	24 [211]	18 [161]	16 [138]	51 [450]	21 [182]	15 [131]	13 [112]	0,33 [2.8]	2,3 [20.3]
DTR60-025	25:1	24 [214]	19 [172]	17 [148]	51 [455]	22 [195]	16 [140]	14 [120]	0,32 [2.7]	2,3 [20.3]
DTR60-030	30:1	18 [155]	15 [134]	14 [124]	49 [430]	16 [143]	14 [124]	13 [115]	0,35 [2.8]	1,7 [14.8]
DTR60-040	40:1	18 [161]	16 [139]	15 [130]	49 [430]	17 [149]	15 [129]	14 [120]	0,33 [2.7]	1,7 [14.8]
DTR60-050	50:1	19 [165]	16 [143]	15 [134]	49 [430]	17 [153]	15 [133]	14 [124]	0,32 [2.6]	1,7 [14.8]
DTR60-060	60:1	28 [244]	18 [155]	15 [133]	52 [460]	20 [175]	14 [126]	12 [108]	0,42 [3.7]	2,3 [20.2]
DTR60-075	75:1	28 [248]	20 [178]	17 [153]	50 [445]	23 [201]	16 [144]	14 [124]	0,35 [3.0]	2,3 [20.2]
DTR60-090	90:1	28 [244]	20 [175]	17 [150]	52 [460]	22 [198]	16 [142]	14 [122]	0,36 [3.1]	2,3 [20.0]
DTR60-100	100:1	27 [237]	19 [171]	16 [146]	49 [435]	22 [193]	16 [138]	13 [119]	0,41 [3.5]	2,2 [19.9]
DTR60-120	120:1	24 [210]	22 [192]	19 [164]	45 [402]	24 [210]	18 [155]	15 [133]	0,33 [3.0]	2,3 [20.2]
DTR60-125	125:1	29 [257]	23 [207]	20 [178]	51 [455]	27 [235]	19 [168]	16 [144]	0,32 [2.8]	2,4 [21.5]
DTR60-150	150:1	30 [268]	22 [193]	19 [165]	50 [445]	22 [198]	18 [156]	15 [134]	0,35 [2.9]	2,3 [20.1]
DTR60-200	200:1	31 [275]	24 [210]	20 [180]	51 [450]	27 [237]	19 [171]	16 [146]	0,41 [3.4]	2,3 [20.2]
DTR60-250	250:1	32 [279]	25 [224]	22 [193]	51 [455]	29 [254]	21 [182]	18 [156]	0,32 [2.7]	2,4 [21.5]
DTR60-300	300:1	23 [202]	20 [175]	18 [162]	49 [430]	21 [186]	18 [162]	17 [150]	0,35 [2.8]	1,7 [14.8]
DTR60-400	400:1	24 [210]	20 [181]	19 [169]	49 [430]	22 [194]	19 [168]	18 [156]	0,33 [2.7]	1,7 [14.8]
DTR60-500	500:1	24 [215]	21 [186]	20 [175]	49 [430]	23 [199]	20 [173]	18 [162]	0,30 [2.7]	1,7 [14.8]

¹ Ratios are exact, higher ratios and other custom options are also available, consult factory.

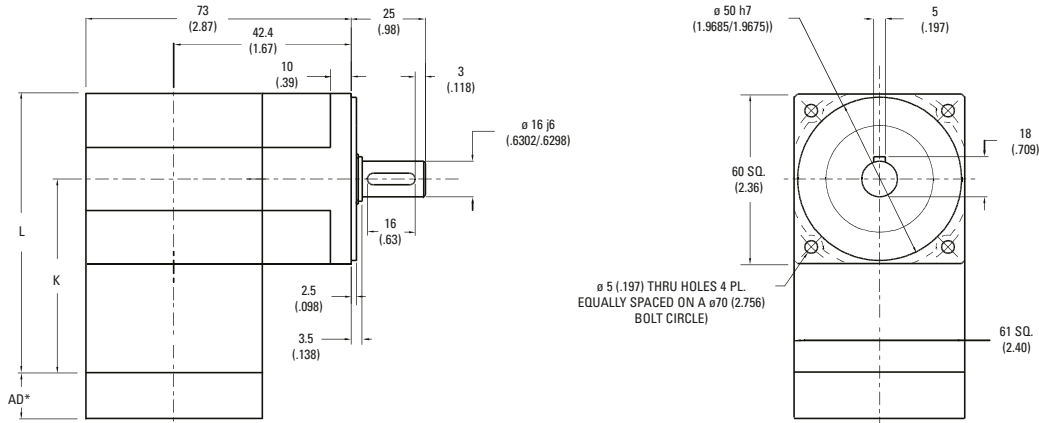
T_r = Rated output torque at rated speed for specific hours of life.

T_{peak} = Allowable momentary peak torque for emergency stop or heavy shock loading.
J = Mass moment of inertia reflected to the input shaft (including pinion assembly).

DuraTRUE 90™ Size 60S (Slim Line)

Right Angle Gearheads

Metric



Ratio ¹	Dimension 'K' mm [in]	Dimension 'L' mm [in]	Backlash [arc-min]	Weight kg [lb]	Efficiency
1:1 to 5:1P	79 [3.11]	109,5 [4.31]	8 max	2,3 [5]	98%
5:1T to 50:1	96 [3.79]	127 [4.99]	9 max	2,5 [5.5]	93%
60:1 to 500:1	114 [4.48]	144 [5.68]	9 max	2,7 [6]	88%

All dimensions are: mm (inch)
 AD** = Adapter length
 Adapter length will vary depending on motor.
 Efficiency is calculated at 100% of the rated torque.

Performance Specifications

Part Number	Ratio ¹	10000 Hour Life			T _{peak} Nm [in-lb]	20000 Hour Life			J kg-cm ² [in-lb-sec ² x10 ⁻⁴]	Torsional Stiffness Nm/arc-min [in-lb/arc-min]
		T _r (1000 rpm) Nm [in-lb]	T _r (3000 rpm) Nm [in-lb]	T _r (5000 rpm) Nm [in-lb]		T _r (1000 rpm) Nm [in-lb]	T _r (3000 rpm) Nm [in-lb]	T _r (5000 rpm) Nm [in-lb]		
DTR60S-001	1:1	7 [66]	7 [60]	6 [54]	25 [217]	7 [61]	6 [56]	6 [50]	0,79 [7.0]	1,8 [15.8]
DTR60S-002	2:1	16 [145]	15 [132]	14 [120]	45 [400]	15 [134]	14 [122]	12 [111]	0,41 [3.6]	2,7 [23.8]
DTR60S-003	3:1	10 [92]	10 [84]	9 [76]	34 [300]	10 [85]	9 [78]	8 [70]	0,35 [3.1]	3,0 [26.9]
DTR60S-004	4:1	8 [68]	7 [62]	6 [56]	30 [264]	7 [63]	6 [57]	6 [52]	0,32 [2.9]	3,2 [28.2]
DTR60S-005P	5:1P	6 [56]	6 [51]	5 [46]	23 [200]	6 [52]	5 [47]	5 [43]	0,32 [2.8]	3,3 [28.8]
DTR60S-005T	5:1T	23 [200]	18 [162]	16 [138]	46 [407]	21 [182]	15 [132]	13 [112]	0,42 [3.7]	3,3 [28.8]
DTR60S-006	6:1	19 [171]	16 [145]	16 [141]	46 [407]	19 [167]	15 [134]	15 [130]	0,41 [3.7]	2,1 [18.8]
DTR60S-009	9:1	12 [109]	10 [92]	10 [90]	36 [321]	12 [106]	10 [85]	9 [83]	0,35 [3.1]	2,7 [23.7]
DTR60S-010	10:1	20 [176]	18 [160]	16 [145]	46 [407]	20 [174]	17 [154]	15 [134]	0,39 [3.5]	2,1 [18.5]
DTR60S-012	12:1	9 [80]	8 [68]	7 [66]	32 [280]	9 [78]	7 [63]	7 [61]	0,33 [3.0]	3,0 [26.1]
DTR60S-015	15:1	13 [112]	12 [102]	10 [92]	37 [330]	12 [110]	11 [98]	10 [85]	0,33 [2.9]	3,1 [27.4]
DTR60S-020	20:1	9 [82]	8 [75]	8 [68]	46 [407]	9 [81]	8 [72]	7 [63]	0,31 [2.8]	2,9 [26.0]
DTR60S-025	25:1	8 [68]	7 [62]	6 [56]	25 [220]	8 [67]	7 [59]	6 [52]	0,31 [2.7]	3,1 [27.3]
DTR60S-030	30:1	13 [114]	12 [109]	12 [105]	38 [339]	13 [114]	12 [107]	11 [101]	0,32 [2.8]	2,5 [22.4]
DTR60S-040	40:1	10 [84]	9 [81]	9 [77]	33 [292]	9 [84]	9 [79]	8 [74]	0,30 [2.7]	2,8 [25.2]
DTR60S-050	50:1	8 [69]	7 [66]	7 [63]	25 [225]	8 [69]	7 [65]	7 [61]	0,30 [2.6]	3,0 [26.8]
DTR60S-060	60:1	21 [182]	20 [180]	20 [177]	46 [407]	21 [182]	20 [178]	20 [175]	0,42 [3.7]	2,0 [18.1]
DTR60S-075	75:1	13 [116]	13 [114]	13 [112]	39 [345]	13 [115]	13 [113]	12 [110]	0,33 [3.0]	2,6 [23.4]
DTR60S-090	90:1	13 [116]	13 [114]	13 [113]	39 [348]	13 [116]	13 [114]	13 [111]	0,35 [3.1]	2,6 [23.3]
DTR60S-100	100:1	21 [183]	20 [181]	20 [180]	46 [407]	21 [182]	20 [180]	20 [178]	0,40 [3.5]	2,1 [18.3]
DTR60S-120	120:1	10 [85]	10 [84]	9 [83]	34 [300]	10 [85]	9 [84]	9 [82]	0,33 [3.0]	2,9 [25.8]
DTR60S-125	125:1	8 [70]	8 [69]	8 [68]	26 [230]	8 [70]	8 [68]	8 [67]	0,31 [2.8]	3,1 [27.3]
DTR60S-150	150:1	13 [116]	13 [115]	13 [114]	40 [351]	13 [116]	13 [115]	13 [114]	0,33 [2.9]	2,6 [23.4]
DTR60S-200	200:1	21 [183]	21 [182]	21 [181]	46 [407]	21 [183]	21 [182]	20 [181]	0,39 [3.4]	1,9 [17.0]
DTR60S-250	250:1	8 [70]	8 [70]	8 [69]	26 [230]	8 [70]	8 [69]	8 [69]	0,31 [2.7]	3,1 [27.3]
DTR60S-300	300:1	13 [116]	13 [116]	13 [115]	40 [354]	13 [116]	13 [116]	13 [115]	0,32 [2.8]	2,5 [22.4]
DTR60S-400	400:1	10 [86]	10 [85]	10 [85]	34 [304]	10 [86]	10 [85]	10 [85]	0,31 [2.7]	2,8 [25.2]
DTR60S-500	500:1	8 [70]	8 [70]	8 [70]	26 [230]	8 [70]	8 [70]	8 [70]	0,30 [2.7]	3,0 [26.8]

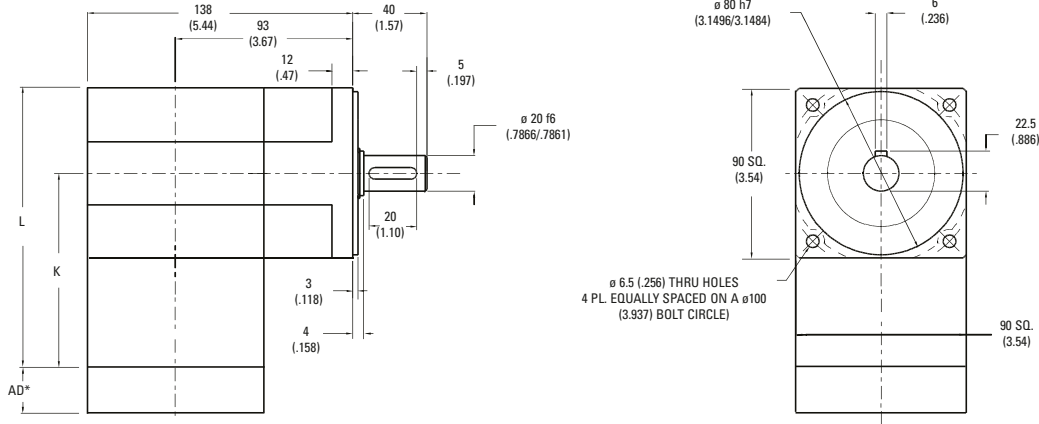
Ratio 5P is designed using only PowerTRUE face gearing technology.
 Ratio 5T adds a True Planetary gearing stage for increased torque capacity.
¹ Ratios are exact, higher ratios and other custom options are also available, consult factory.

T_r = Rated output torque at rated speed for specific hours of life.
 J = Mass moment of inertia reflected to the input shaft (including pinion assembly)
 T_{peak} = Allowable momentary peak torque for emergency stop or heavy shock loading.

DuraTRUE 90™ Size 90

Right Angle Gearheads

Metric



Ratio ¹	Dimension 'K' mm [in]	Dimension 'L' mm [in]	Backlash [arc-min]	Weight kg [lb]	Efficiency
5:1 to 50:1	101 [3.99]	146 [5.76]	9 max	4,8 [10]	93%
60:1 to 500:1	124 [4.89]	169 [6.66]	9 max	5,5 [12]	88%

All dimensions are: mm (inch)
 AD** = Adapter length
 Adapter length will vary depending on motor.
 Efficiency is calculated at 100% of the rated torque.

Performance Specifications

Part Number	Ratio ¹	10000 Hour Life			T _{peak} Nm [in-lb]	20000 Hour Life			J kg-cm ² [in-lb-sec ² ×10 ⁻⁴]	Torsional Stiffness Nm/arc-min [in-lb/arc-min]
		T _r (1000 rpm) Nm [in-lb]	T _r (3000 rpm) Nm [in-lb]	T _r (5000 rpm) Nm [in-lb]		T _r (1000 rpm) Nm [in-lb]	T _r (3000 rpm) Nm [in-lb]	T _r (5000 rpm) Nm [in-lb]		
DTR90-005	5:1	79 [702]	58 [515]	50 [442]	167 [1479]	66 [582]	47 [418]	41 [359]	1,64 [14.5]	7,8 [69.2]
DTR90-006	6:1	82 [722]	61 [544]	53 [467]	167 [1479]	69 [614]	50 [442]	43 [379]	1,63 [14.4]	5,5 [48.2]
DTR90-009	9:1	75 [665]	69 [614]	60 [527]	167 [1479]	75 [665]	56 [499]	48 [428]	1,39 [12.3]	5,5 [48.8]
DTR90-010	10:1	79 [703]	68 [599]	58 [514]	167 [1479]	76 [676]	55 [486]	47 [417]	1,62 [14.3]	5,5 [48.4]
DTR90-012	12:1	57 [509]	57 [509]	57 [509]	144 [1272]	57 [509]	57 [509]	53 [467]	1,29 [11.4]	5,5 [49.0]
DTR90-015	15:1	82 [723]	75 [664]	66 [580]	167 [1479]	80 [707]	62 [549]	53 [471]	1,26 [11.1]	5,5 [49.0]
DTR90-020	20:1	83 [737]	77 [681]	72 [633]	167 [1479]	81 [720]	68 [599]	58 [514]	1,28 [11.3]	5,5 [48.7]
DTR90-025	25:1	71 [624]	71 [624]	71 [624]	167 [1479]	71 [624]	71 [624]	62 [549]	1,26 [11.1]	5,5 [48.7]
DTR90-030	30:1	64 [568]	55 [488]	51 [452]	167 [1479]	59 [526]	51 [452]	47 [418]	1,38 [12.2]	4,0 [35.6]
DTR90-040	40:1	67 [590]	58 [509]	53 [472]	167 [1479]	62 [546]	53 [471]	49 [437]	1,28 [11.3]	4,0 [35.6]
DTR90-050	50:1	69 [608]	59 [525]	55 [488]	167 [1479]	63 [562]	55 [486]	51 [452]	1,25 [11.1]	4,0 [35.6]
DTR90-060	60:1	106 [941]	80 [709]	69 [608]	167 [1479]	90 [800]	65 [576]	56 [494]	1,63 [14.4]	5,5 [48.6]
DTR90-075	75:1	98 [870]	90 [799]	79 [698]	167 [1479]	96 [851]	75 [661]	64 [567]	1,39 [12.3]	5,5 [48.4]
DTR90-090	90:1	98 [866]	90 [800]	78 [687]	167 [1479]	98 [866]	73 [650]	63 [558]	1,39 [12.3]	5,4 [48.0]
DTR90-100	100:1	103 [916]	88 [780]	76 [670]	167 [1479]	100 [881]	72 [633]	61 [543]	1,62 [14.3]	5,4 [47.8]
DTR90-120	120:1	75 [663]	75 [663]	75 [663]	144 [1272]	75 [663]	75 [663]	69 [608]	1,29 [11.4]	5,5 [48.5]
DTR90-125	125:1	85 [751]	85 [751]	85 [751]	167 [1479]	85 [751]	85 [751]	75 [661]	1,26 [11.1]	5,8 [51.6]
DTR90-150	150:1	106 [942]	98 [865]	85 [756]	167 [1479]	98 [866]	81 [715]	69 [614]	1,39 [12.3]	5,5 [48.3]
DTR90-200	200:1	109 [960]	100 [887]	93 [825]	167 [1479]	108 [938]	88 [780]	76 [670]	1,61 [14.2]	5,5 [48.5]
DTR90-250	250:1	92 [813]	92 [813]	92 [813]	167 [1479]	92 [813]	92 [813]	81 [715]	1,26 [11.1]	5,8 [51.5]
DTR90-300	300:1	84 [740]	72 [636]	67 [589]	167 [1479]	77 [685]	67 [589]	62 [545]	1,38 [12.2]	4,0 [35.5]
DTR90-400	400:1	87 [769]	75 [663]	69 [615]	167 [1479]	80 [711]	69 [614]	64 [569]	1,28 [11.3]	4,0 [35.5]
DTR90-500	500:1	90 [792]	77 [684]	72 [636]	167 [1479]	83 [732]	72 [633]	67 [589]	1,20 [10.6]	4,0 [35.6]

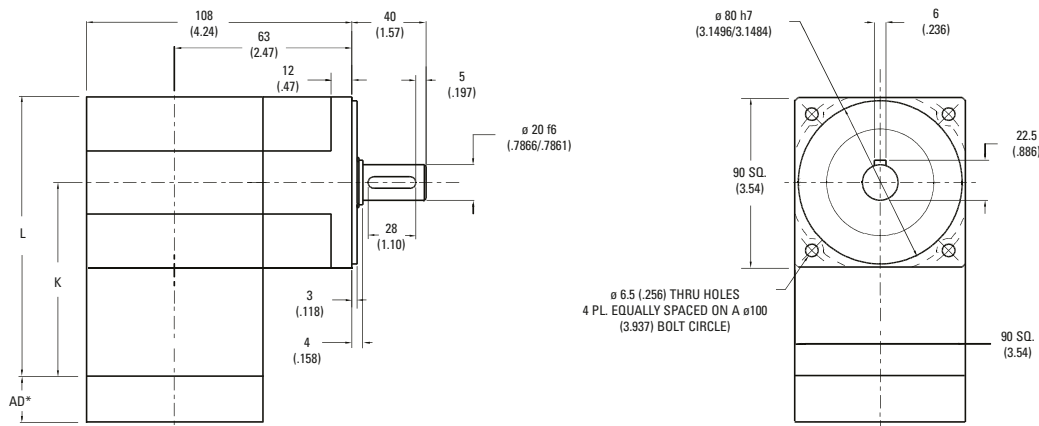
¹ Ratios are exact, higher ratios and other custom options are also available, consult factory.
 T_r = Rated output torque at rated speed for specific hours of life.

T_{peak} = Allowable momentary peak torque for emergency stop or heavy shock loading.
 J = Mass moment of inertia reflected to the input shaft (including pinion assembly).

DuraTRUE 90™ Size 90S (Slim Line)

Right Angle Gearheads

Metric



Ratio ¹	Dimension 'K' mm [in]	Dimension 'L' mm [in]	Backlash [arc-min]	Weight kg [lb]	Efficiency
1:1 to 5:1P	101 [3.99]	146 [5.76]	8 max	4,1 [9]	98%
5:1T to 50:1	124 [4.89]	169 [6.66]	9 max	4,8 [10]	93%
60:1 to 500:1	114 [5.79]	192 [7.56]	9 max	5,5 [12]	88%

All dimensions are: mm (inch)
 AD** = Adapter length
 Adapter length will vary depending on motor.
 Efficiency is calculated at 100% of the rated torque.

Performance Specifications

Part Number	Ratio ¹	10000 Hour Life			T _{peak} Nm [in-lb]	20000 Hour Life			J kg-cm ² [in-lb-sec ² x10 ⁻⁴]	Torsional Stiffness Nm/arc-min [in-lb/arc-min]
		T _r (1000 rpm) Nm [in-lb]	T _r (3000 rpm) Nm [in-lb]	T _r (5000 rpm) Nm [in-lb]		T _r (1000 rpm) Nm [in-lb]	T _r (3000 rpm) Nm [in-lb]	T _r (5000 rpm) Nm [in-lb]		
DTR90S-001	1:1	21 [188]	19 [171]	17 [155]	62 [548]	20 [173]	18 [158]	16 [143]	3,11 [27.5]	4,3 [37.9]
DTR90S-002	2:1	48 [426]	44 [389]	40 [352]	140 [1237]	44 [394]	41 [359]	37 [325]	1,59 [14.1]	6,5 [57.2]
DTR90S-003	3:1	32 [281]	29 [256]	26 [232]	114 [1005]	29 [260]	27 [237]	24 [214]	1,37 [12.1]	7,3 [64.6]
DTR90S-004	4:1	24 [215]	22 [196]	20 [177]	87 [772]	22 [199]	20 [181]	19 [164]	1,27 [11.2]	7,6 [67.7]
DTR90S-005P	5:1P	18 [158]	16 [144]	15 [131]	73 [645]	17 [146]	15 [133]	14 [121]	1,25 [11.0]	7,8 [69.2]
DTR90S-005T	5:1T	64 [568]	55 [483]	53 [469]	140 [1237]	63 [556]	50 [446]	49 [433]	1,64 [14.5]	5,1 [45.1]
DTR90S-006	6:1	57 [501]	48 [426]	47 [414]	140 [1237]	55 [490]	44 [394]	43 [382]	1,63 [14.4]	5,1 [45.1]
DTR90S-009	9:1	37 [331]	32 [281]	31 [273]	124 [1095]	37 [323]	29 [260]	28 [252]	1,37 [12.1]	6,4 [56.9]
DTR90S-010	10:1	58 [516]	53 [471]	48 [426]	140 [1237]	58 [510]	51 [452]	44 [394]	1,54 [13.7]	5,0 [44.5]
DTR90S-012	12:1	29 [253]	24 [215]	24 [209]	94 [836]	28 [247]	22 [199]	22 [193]	1,31 [11.6]	7,1 [62.7]
DTR90S-015	15:1	38 [340]	35 [311]	32 [281]	128 [1131]	38 [336]	34 [298]	29 [260]	1,28 [11.3]	7,4 [65.8]
DTR90S-020	20:1	29 [261]	27 [238]	24 [215]	140 [1237]	29 [257]	26 [228]	22 [199]	1,22 [10.8]	7,1 [62.4]
DTR90S-025	25:1	22 [192]	20 [175]	18 [158]	80 [705]	21 [189]	19 [168]	17 [146]	1,20 [10.6]	7,4 [65.6]
DTR90S-030	30:1	39 [348]	38 [333]	36 [318]	131 [1161]	39 [346]	37 [327]	35 [307]	1,25 [11.1]	6,1 [53.8]
DTR90S-040	40:1	30 [266]	29 [255]	28 [243]	99 [880]	30 [265]	28 [250]	27 [235]	1,19 [10.6]	6,8 [60.5]
DTR90S-050	50:1	22 [196]	21 [188]	20 [179]	82 [725]	22 [195]	21 [184]	20 [173]	1,17 [10.4]	7,3 [64.2]
DTR90S-060	60:1	60 [535]	60 [527]	59 [520]	140 [1237]	60 [534]	59 [524]	58 [514]	1,63 [14.4]	4,9 [43.5]
DTR90S-075	75:1	40 [352]	39 [346]	38 [340]	136 [1200]	40 [351]	39 [344]	38 [336]	1,31 [11.6]	6,4 [56.2]
DTR90S-090	90:1	40 [353]	39 [348]	39 [343]	136 [1206]	40 [352]	39 [346]	38 [339]	1,37 [12.1]	6,3 [55.8]
DTR90S-100	100:1	61 [536]	60 [532]	60 [527]	140 [1237]	61 [536]	60 [530]	59 [524]	1,55 [13.7]	5,0 [43.9]
DTR90S-120	120:1	31 [270]	30 [266]	30 [262]	103 [908]	30 [269]	30 [265]	29 [260]	1,31 [11.6]	7,0 [62.0]
DTR90S-125	125:1	22 [198]	22 [195]	22 [192]	84 [740]	22 [198]	22 [194]	21 [189]	1,23 [10.8]	7,4 [65.5]
DTR90S-150	150:1	40 [354]	40 [351]	39 [348]	138 [1218]	40 [353]	39 [350]	39 [346]	1,29 [11.4]	6,3 [56.1]
DTR90S-200	200:1	61 [538]	60 [535]	60 [533]	140 [1237]	61 [537]	60 [534]	60 [531]	1,52 [13.5]	4,6 [40.7]
DTR90S-250	250:1	23 [199]	22 [198]	22 [196]	85 [750]	22 [199]	22 [197]	22 [195]	1,21 [10.7]	7,4 [65.4]
DTR90S-300	300:1	40 [355]	40 [353]	40 [352]	139 [1230]	40 [354]	40 [352]	40 [350]	1,26 [11.1]	6,1 [53.7]
DTR90S-400	400:1	31 [271]	31 [270]	30 [269]	104 [924]	31 [271]	30 [270]	30 [268]	1,20 [10.6]	6,8 [60.5]
DTR90S-500	500:1	23 [200]	22 [199]	22 [198]	85 [755]	23 [200]	22 [198]	22 [197]	1,18 [10.4]	7,3 [64.2]

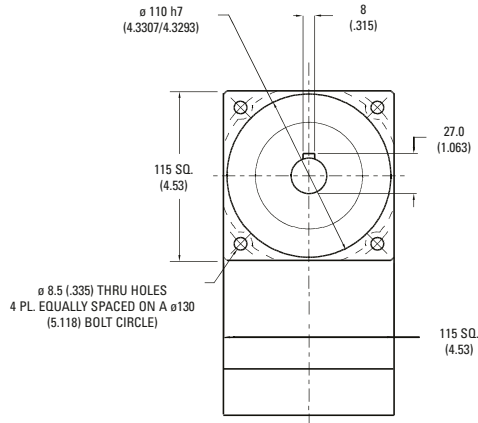
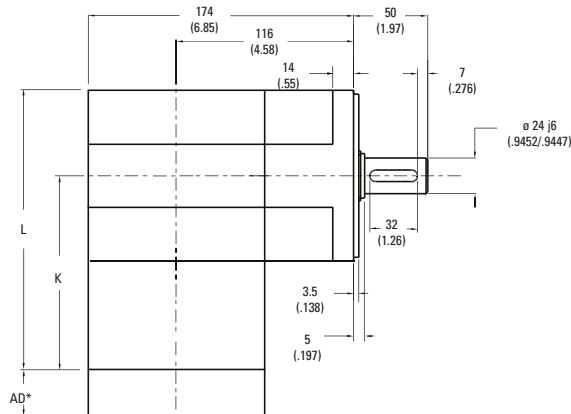
Ratio 5P is designed using only PowerTRUE face gearing technology.
 Ratio 5T adds a True Planetary gearing stage for increased torque capacity.
¹ Ratios are exact, higher ratios and other custom options are also available, consult factory.

T_r = Rated output torque at rated speed for specific hours of life.
 J = Mass moment of inertia reflected to the input shaft (including pinion assembly)
 T_{peak} = Allowable momentary peak torque for emergency stop or heavy shock loading.

DuraTRUE 90™ Size 115

Right Angle Gearheads

Metric



Ratio ¹	Dimension 'K' mm [in]	Dimension 'L' mm [in]	Backlash [arc-min]	Weight kg [lb]	Efficiency
5:1 to 50:1	137 [5.40]	195 [7.67]	8 max	11 [24]	93%
60:1 to 500:1	168,4 [6.63]	226 [8.90]	9 max	12 [27]	88%

All dimensions are: mm (inch)

AD** = Adapter length

Adapter length will vary depending on motor. Efficiency is calculated at 100% of the rated torque.

Performance Specifications

Part Number	Ratio ¹	10000 Hour Life			T _{peak} Nm [in-lb]	20000 Hour Life			J kg-cm ² [in-lb-sec ² ×10 ⁻⁴]	Torsional Stiffness Nm/arc-min [in-lb/arc-min]
		T _r (1000 rpm) Nm [in-lb]	T _r (3000 rpm) Nm [in-lb]	T _r (5000 rpm) Nm [in-lb]		T _r (1000 rpm) Nm [in-lb]	T _r (3000 rpm) Nm [in-lb]	T _r (5000 rpm) Nm [in-lb]		
DTR115-005	5:1	123 [1086]	88 [781]	76 [670]	284 [2511]	100 [882]	72 [634]	61 [544]	2,79 [24.7]	15,3 [135]
DTR115-006	6:1	130 [1147]	93 [825]	80 [708]	284 [2511]	105 [932]	76 [670]	65 [575]	2,77 [24.5]	12,5 [110]
DTR115-009	9:1	146 [1295]	105 [932]	90 [799]	284 [2511]	119 [1052]	86 [757]	73 [649]	2,37 [21.0]	12,6 [112]
DTR115-010	10:1	143 [1262]	103 [908]	88 [779]	284 [2511]	116 [1025]	83 [738]	72 [633]	2,75 [24.3]	13,1 [116]
DTR115-012	12:1	137 [1210]	115 [1016]	98 [871]	284 [2511]	130 [1147]	93 [825]	80 [708]	2,19 [19.4]	12,7 [112]
DTR115-015	15:1	161 [1425]	116 [1025]	99 [880]	284 [2511]	131 [1158]	94 [833]	81 [715]	2,14 [18.9]	12,7 [112]
DTR115-020	20:1	164 [1453]	126 [1118]	108 [959]	284 [2511]	143 [1262]	103 [908]	88 [779]	2,18 [19.3]	13,2 [117]
DTR115-025	25:1	167 [1474]	135 [1195]	116 [1025]	284 [2511]	153 [1350]	110 [971]	94 [833]	2,14 [18.9]	13,2 [117]
DTR115-030	30:1	105 [930]	90 [796]	83 [736]	284 [2511]	97 [861]	83 [737]	77 [681]	2,34 [20.7]	11,5 [102]
DTR115-040	40:1	109 [967]	94 [831]	87 [770]	284 [2511]	101 [894]	87 [769]	80 [712]	2,17 [19.2]	11,5 [102]
DTR115-050	50:1	112 [995]	97 [858]	90 [796]	284 [2511]	104 [921]	90 [794]	83 [737]	2,13 [18.8]	11,5 [102]
DTR115-060	60:1	169 [1495]	121 [1075]	104 [923]	284 [2511]	137 [1214]	99 [873]	85 [749]	2,77 [24.5]	13,2 [117]
DTR115-075	75:1	194 [1715]	139 [1233]	120 [1059]	284 [2511]	139 [1233]	113 [1002]	97 [860]	2,35 [20.8]	13,1 [116]
DTR115-090	90:1	191 [1687]	137 [1214]	118 [1041]	284 [2511]	155 [1371]	111 [986]	96 [846]	2,37 [21.0]	12,5 [110]
DTR115-100	100:1	186 [1644]	134 [1183]	115 [1015]	284 [2511]	151 [1336]	109 [962]	93 [825]	2,75 [24.3]	13,0 [115]
DTR115-120	120:1	178 [1577]	150 [1324]	128 [1135]	284 [2511]	169 [1495]	121 [1075]	104 [923]	2,19 [19.4]	12,6 [111]
DTR115-125	125:1	200 [1774]	162 [1438]	139 [1233]	284 [2511]	184 [1624]	132 [1168]	113 [1002]	2,14 [18.9]	13,2 [117]
DTR115-150	150:1	210 [1857]	151 [1336]	130 [1147]	284 [2511]	170 [1509]	123 [1085]	105 [932]	2,35 [20.8]	13,1 [116]
DTR115-200	200:1	214 [1893]	165 [1457]	141 [1250]	284 [2511]	186 [1644]	134 [1183]	115 [1015]	2,73 [24.2]	13,2 [116]
DTR115-250	250:1	217 [1921]	176 [1557]	151 [1336]	284 [2511]	199 [1759]	143 [1265]	123 [1085]	2,14 [18.9]	13,2 [117]
DTR115-300	300:1	137 [1212]	117 [1037]	108 [959]	284 [2511]	127 [1122]	109 [960]	100 [887]	2,34 [20.7]	11,5 [102]
DTR115-400	400:1	142 [1260]	122 [1083]	113 [1003]	284 [2511]	132 [1165]	113 [1002]	105 [928]	2,17 [19.2]	11,5 [102]
DTR115-500	500:1	146 [1296]	126 [1118]	117 [1037]	284 [2511]	136 [1200]	117 [1035]	109 [960]	2,03 [18.0]	11,5 [102]

¹ Ratios are exact, higher ratios and other custom options are also available, consult factory.

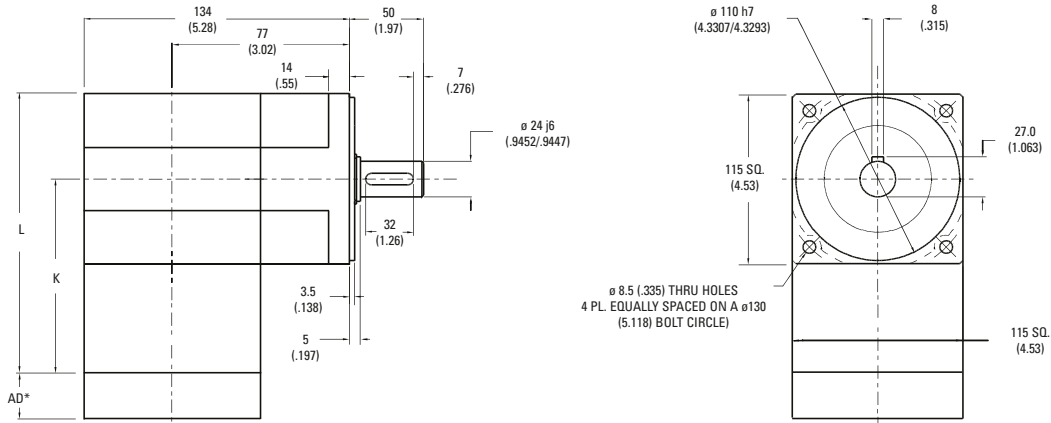
T_r = Rated output torque at rated speed for specific hours of life.

T_{peak} = Allowable momentary peak torque for emergency stop or heavy shock loading.
J = Mass moment of inertia reflected to the input shaft (including pinion assembly).

DuraTRUE 90™ Size 115S (Slim Line)

Right Angle Gearheads

Metric



Ratio ¹	Dimension 'K' mm [in]	Dimension 'L' mm [in]	Backlash [arc-min]	Weight kg [lb]	Efficiency
1:1 to 5:1P	137 [5.40]	195 [7.67]	8 max	9 [20]	98%
5:1T to 50:1	168,4 [6.63]	226 [8.90]	9 max	11 [24]	93%
60:1 to 500:1	200 [7.87]	257 [10.13]	9 max	12 [27]	88%

All dimensions are: mm (inch)

AD** = Adapter length

Adapter length will vary depending on motor. Efficiency is calculated at 100% of the rated torque.

Performance Specifications

Part Number	Ratio ¹	10000 Hour Life			T _{peak} Nm [in-lb]	20000 Hour Life			J kg·cm ² [in-lb·sec ² ×10 ⁻⁴]	Torsional Stiffness Nm/arc-min [in-lb/arc-min]
		T _r (1000 rpm) Nm [in-lb]	T _r (3000 rpm) Nm [in-lb]	T _r (5000 rpm) Nm [in-lb]		T _r (1000 rpm) Nm [in-lb]	T _r (3000 rpm) Nm [in-lb]	T _r (5000 rpm) Nm [in-lb]		
DTR115S-001	1:1	63 [554]	57 [506]	52 [457]	203 [1800]	58 [512]	53 [467]	48 [422]	5,28 [46.7]	7,6 [67.6]
DTR115S-002	2:1	112 [989]	102 [903]	92 [816]	283 [2505]	103 [913]	94 [834]	85 [754]	2,71 [23.9]	12,5 [111]
DTR115S-003	3:1	87 [768]	79 [701]	72 [634]	256 [2265]	80 [709]	73 [647]	66 [585]	2,33 [20.6]	14,2 [126]
DTR115S-004	4:1	58 [511]	53 [467]	48 [422]	199 [1760]	53 [472]	49 [431]	44 [390]	2,16 [19.1]	14,9 [132]
DTR115S-005P	5:1P	43 [384]	40 [350]	36 [316]	164 [1450]	40 [354]	37 [323]	33 [292]	2,12 [18.8]	15,3 [135]
DTR115S-005T	5:1T	170 [1505]	126 [1117]	108 [958]	283 [2505]	143 [1262]	102 [907]	88 [778]	2,78 [24.6]	15,3 [135]
DTR115S-006	6:1	131 [1163]	112 [989]	109 [960]	283 [2505]	129 [1138]	103 [913]	100 [887]	2,77 [24.5]	10,2 [90.7]
DTR115S-009	9:1	102 [903]	87 [768]	84 [746]	281 [2490]	100 [884]	80 [709]	78 [689]	2,32 [20.5]	12,8 [113]
DTR115S-010	10:1	135 [1198]	124 [1094]	112 [989]	283 [2505]	134 [1183]	118 [1048]	103 [913]	2,63 [23.2]	10,2 [90.3]
DTR115S-012	12:1	68 [601]	58 [511]	56 [496]	217 [1920]	66 [588]	53 [472]	52 [458]	2,22 [19.6]	14,0 [124]
DTR115S-015	15:1	105 [930]	96 [849]	87 [768]	283 [2505]	104 [919]	92 [814]	80 [709]	2,18 [19.3]	14,6 [130]
DTR115S-020	20:1	70 [619]	64 [565]	58 [511]	283 [2505]	69 [612]	61 [542]	53 [472]	2,08 [18.4]	14,0 [124]
DTR115S-025	25:1	52 [465]	48 [424]	43 [384]	183 [1620]	52 [459]	46 [406]	40 [354]	2,04 [18.0]	14,6 [129]
DTR115S-030	30:1	107 [951]	103 [910]	98 [869]	283 [2505]	107 [945]	101 [892]	95 [840]	2,13 [18.9]	12,5 [111]
DTR115S-040	40:1	72 [633]	68 [606]	65 [579]	231 [2040]	71 [629]	67 [594]	63 [559]	2,03 [18.0]	13,8 [122]
DTR115S-050	50:1	54 [475]	51 [454]	49 [434]	188 [1665]	53 [472]	50 [446]	47 [419]	1,99 [17.6]	14,5 [128]
DTR115S-060	60:1	140 [1242]	138 [1224]	136 [1207]	283 [2505]	140 [1239]	137 [1217]	135 [1194]	2,78 [24.6]	10,0 [88.5]
DTR115S-075	75:1	109 [963]	107 [947]	105 [930]	283 [2505]	109 [960]	106 [939]	104 [919]	2,22 [19.7]	12,7 [112]
DTR115S-090	90:1	109 [964]	107 [951]	106 [937]	283 [2505]	109 [962]	107 [945]	105 [927]	2,33 [20.6]	12,6 [112]
DTR115S-100	100:1	141 [1245]	140 [1235]	138 [1224]	283 [2505]	141 [1244]	139 [1230]	137 [1217]	2,64 [23.3]	10,1 [89.5]
DTR115S-120	120:1	73 [642]	72 [633]	70 [624]	238 [2108]	72 [641]	71 [629]	70 [617]	2,23 [19.7]	13,9 [123]
DTR115S-125	125:1	54 [481]	53 [473]	52 [465]	193 [1710]	54 [480]	53 [469]	52 [459]	2,08 [18.4]	14,6 [129]
DTR115S-150	150:1	109 [967]	108 [959]	107 [951]	283 [2505]	109 [966]	108 [955]	107 [945]	2,19 [19.4]	12,7 [112]
DTR115S-200	200:1	141 [1248]	140 [1243]	140 [1237]	283 [2505]	141 [1247]	140 [1240]	139 [1234]	2,59 [22.9]	9,8 [87.1]
DTR115S-250	250:1	55 [483]	54 [479]	54 [475]	196 [1735]	54 [482]	54 [477]	53 [472]	2,05 [18.1]	14,6 [129]
DTR115S-300	300:1	109 [969]	109 [965]	109 [961]	283 [2505]	109 [968]	109 [963]	108 [958]	2,14 [18.9]	12,5 [111]
DTR115S-400	400:1	73 [645]	73 [642]	72 [640]	244 [2160]	73 [645]	72 [641]	72 [638]	2,04 [18.1]	13,8 [122]
DTR115S-500	500:1	55 [484]	54 [482]	54 [480]	198 [1755]	55 [483]	54 [481]	54 [478]	2,00 [17.7]	14,5 [128]

Ratio 5P is designed using only PowerTRUE face gearing technology.

Ratio 5T adds a True Planetary gearing stage for increased torque capacity.

¹ Ratios are exact, higher ratios and other custom options are also available, consult factory.

T_r = Rated output torque at rated speed for specific hours of life.

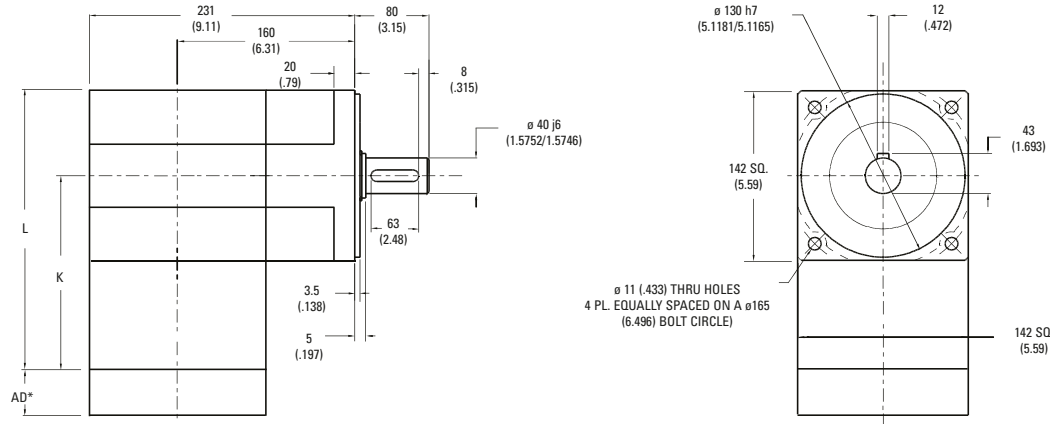
J = Mass moment of inertia reflected to the input shaft (including pinion assembly)

T_{peak} = Allowable momentary peak torque for emergency stop or heavy shock loading.

DuraTRUE 90™ Size 142

Right Angle Gearheads

Metric



Ratio ¹	Dimension 'K' mm [in]	Dimension 'L' mm [in]	Backlash [arc-min]	Weight kg [lb]	Efficiency
5:1 to 50:1	160 [6.29]	231 [9.09]	9 max	24 [53]	93%
60:1 to 500:1	209 [8.23]	280 [11.03]	9 max	28 [62]	88%

All dimensions are: mm (inch)

AD** = Adapter length

Adapter length will vary depending on motor. Efficiency is calculated at 100% of the rated torque.

Performance Specifications

Part Number	Ratio ¹	10000 Hour Life			T _{peak} Nm [in-lb]	20000 Hour Life			J kg-cm ² [in-lb-sec ² x10 ⁻⁴]	Torsional Stiffness Nm/arc-min [in-lb/arc-min]
		T _r (1000 rpm) Nm [in-lb]	T _r (3000 rpm) Nm [in-lb]	T _r (5000 rpm) Nm [in-lb]		T _r (1000 rpm) Nm [in-lb]	T _r (3000 rpm) Nm [in-lb]	T _r (5000 rpm) Nm [in-lb]		
DTR142-005	5:1	433 [3833]	311 [2757]	267 [2365]	833 [7377]	352 [3114]	253 [2239]	217 [1921]	13,9 [123]	47,4 [419]
DTR142-006	6:1	454 [4020]	329 [2912]	282 [2498]	833 [7377]	372 [3289]	267 [2365]	229 [2029]	13,8 [122]	38,6 [342]
DTR142-009	9:1	444 [3934]	372 [3289]	319 [2821]	833 [7377]	420 [3714]	302 [2671]	259 [2292]	11,8 [104]	39,1 [346]
DTR142-010	10:1	448 [3965]	363 [3210]	311 [2754]	833 [7377]	410 [3625]	295 [2607]	253 [2237]	13,7 [121]	40,6 [360]
DTR142-012	12:1	319 [2825]	319 [2825]	319 [2825]	798 [7062]	319 [2825]	319 [2825]	282 [2498]	10,9 [96.3]	39,3 [348]
DTR142-015	15:1	463 [4096]	410 [3625]	351 [3110]	833 [7377]	453 [4005]	333 [2944]	285 [2526]	10,7 [94.2]	39,4 [349]
DTR142-020	20:1	473 [4183]	432 [3824]	383 [3390]	833 [7377]	462 [4090]	363 [3210]	311 [2754]	10,8 [95.9]	40,9 [362]
DTR142-025	25:1	399 [3532]	399 [3532]	399 [3532]	833 [7377]	399 [3532]	388 [3432]	333 [2944]	10,6 [94.0]	40,9 [362]
DTR142-030	30:1	268 [2373]	228 [2022]	134 [1185]	833 [7377]	248 [2196]	211 [1871]	195 [1724]	11,7 [103]	35,6 [315]
DTR142-040	40:1	279 [2468]	240 [2122]	221 [1952]	833 [7377]	258 [2284]	221 [1955]	204 [1807]	10,8 [95.5]	35,6 [315]
DTR142-050	50:1	287 [2543]	247 [2183]	228 [2022]	833 [7377]	266 [2353]	228 [2020]	211 [1871]	10,6 [93.7]	35,6 [315]
DTR142-060	60:1	592 [5238]	429 [3794]	368 [3255]	833 [7377]	486 [4297]	348 [3082]	299 [2644]	13,8 [122]	40,8 [361]
DTR142-075	75:1	557 [4928]	493 [4362]	423 [3742]	833 [7377]	544 [4819]	400 [3542]	343 [3039]	11,7 [104]	40,6 [360]
DTR142-090	90:1	579 [5126]	484 [4286]	415 [3676]	833 [7377]	547 [4839]	393 [3480]	337 [2986]	11,8 [104]	38,6 [342]
DTR142-100	100:1	584 [5166]	473 [4183]	405 [3588]	833 [7377]	534 [4723]	384 [3397]	329 [2915]	13,7 [121]	40,2 [356]
DTR142-120	120:1	416 [3681]	416 [3681]	416 [3681]	798 [7062]	416 [3681]	416 [3681]	368 [3255]	10,9 [96.3]	39,0 [345]
DTR142-125	125:1	480 [4250]	480 [4250]	480 [4250]	833 [7377]	480 [4250]	467 [4129]	400 [3542]	10,6 [94.0]	40,9 [362]
DTR142-150	150:1	603 [5337]	534 [4723]	458 [4052]	833 [7377]	590 [5218]	433 [3836]	372 [3291]	11,7 [104]	40,6 [360]
DTR142-200	200:1	616 [5450]	563 [4983]	499 [4417]	833 [7377]	602 [5329]	473 [4183]	405 [3588]	13,6 [120]	40,8 [361]
DTR142-250	250:1	520 [4602]	520 [4602]	520 [4602]	833 [7377]	520 [4602]	505 [4472]	433 [3836]	10,6 [94.0]	40,9 [362]
DTR142-300	300:1	349 [3092]	298 [2635]	174 [1544]	833 [7377]	323 [2861]	275 [2438]	254 [2246]	11,7 [103]	35,6 [315]
DTR142-400	400:1	363 [3216]	312 [2765]	287 [2543]	833 [7377]	336 [2976]	288 [2547]	266 [2355]	10,8 [95.5]	35,6 [315]
DTR142-500	500:1	374 [3314]	321 [2844]	298 [2635]	833 [7377]	346 [3066]	297 [2632]	275 [2438]	10,1 [89.4]	35,6 [315]

¹ Ratios are exact, higher ratios and other custom options are also available, consult factory.

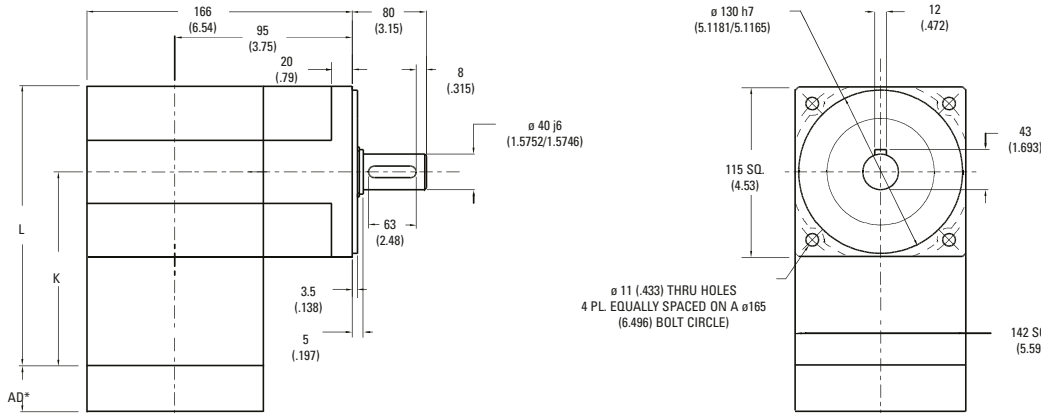
T_r = Rated output torque at rated speed for specific hours of life.

T_{peak} = Allowable momentary peak torque for emergency stop or heavy shock loading
 J = Mass moment of inertia reflected to the input shaft (including pinion assembly).

DuraTRUE 90™ Size 142S (Slim Line)

Right Angle Gearheads

Metric



Ratio ¹	Dimension 'K' mm [in]	Dimension 'L' mm [in]	Backlash [arc-min]	Weight kg [lb]	Efficiency
1:1 to 5:1P	160 [6.29]	231 [9.09]	8 max	19 [43]	98%
5:1T to 50:1	209 [8.23]	280 [11.03]	9 max	24 [53]	93%
60:1 to 500:1	259 [10.18]	329 [12.97]	9 max	28 [62]	88%

All dimensions are: mm (inch)
 AD** = Adapter length
 Adapter length will vary depending on motor.
 Efficiency is calculated at 100% of the rated torque.

Performance Specifications

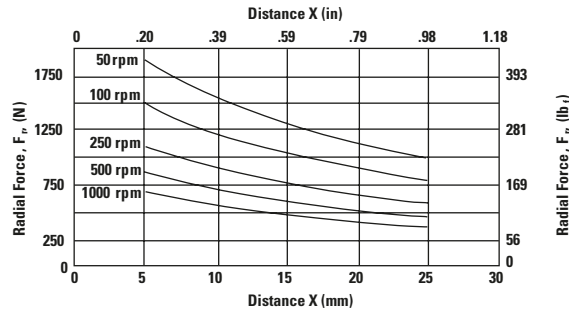
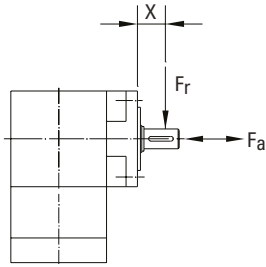
Part Number	Ratio ¹	10000 Hour Life			T _{peak} Nm [in-lb]	20000 Hour Life			J kg-cm ² [in-lb-sec ² ×10 ⁻⁴]	Torsional Stiffness Nm/arc-min [in-lb/arc-min]
		T _r (1000 rpm) Nm [in-lb]	T _r (3000 rpm) Nm [in-lb]	T _r (5000 rpm) Nm [in-lb]		T _r (1000 rpm) Nm [in-lb]	T _r (3000 rpm) Nm [in-lb]	T _r (5000 rpm) Nm [in-lb]		
DTR142S-001	1:1	135 [1194]	123 [1090]	111 [985]	333 [2950]	125 [1103]	114 [1006]	103 [910]	26,3 [232]	23,7 [210]
DTR142S-002	2:1	279 [2474]	255 [2257]	231 [2041]	621 [5500]	258 [2284]	236 [2084]	213 [1885]	13,5 [119]	38,9 [344]
DTR142S-003	3:1	188 [1663]	171 [1518]	155 [1372]	478 [4230]	174 [1536]	158 [1401]	143 [1267]	11,6 [102]	44,1 [390]
DTR142S-004	4:1	135 [1194]	123 [1090]	111 [985]	414 [3660]	125 [1103]	114 [1006]	103 [910]	10,8 [95.1]	46,3 [410]
DTR142S-005P	5:1P	101 [896]	92 [818]	84 [739]	347 [3075]	93 [827]	85 [755]	77 [683]	10,6 [93.3]	47,4 [419]
DTR142S-005T	5:1T	340 [3009]	289 [2559]	281 [2484]	782 [6917]	333 [2944]	267 [2363]	259 [2294]	13,8 [122]	47,4 [419]
DTR142S-006	6:1	329 [2909]	279 [2474]	271 [2402]	678 [6000]	322 [2846]	258 [2284]	251 [2218]	13,8 [122]	31,8 [281]
DTR142S-009	9:1	221 [1956]	188 [1663]	182 [1614]	532 [4710]	216 [1913]	174 [1536]	168 [1491]	11,6 [102]	39,6 [351]
DTR142S-010	10:1	339 [2996]	309 [2735]	279 [2474]	734 [6500]	334 [2958]	296 [2621]	258 [2284]	13,1 [116]	31,6 [280]
DTR142S-012	12:1	159 [1404]	135 [1194]	131 [1159]	454 [4020]	155 [1374]	125 [1103]	121 [1071]	11,1 [97.7]	43,4 [384]
DTR142S-015	15:1	228 [2014]	208 [1839]	188 [1663]	551 [4875]	225 [1989]	199 [1762]	174 [1536]	10,9 [95.9]	45,4 [402]
DTR142S-020	20:1	163 [1446]	149 [1320]	135 [1194]	768 [6800]	161 [1428]	143 [1265]	125 [1103]	10,4 [91.5]	43,3 [383]
DTR142S-025	25:1	123 [1085]	112 [991]	101 [896]	391 [3460]	121 [1071]	107 [949]	93 [827]	10,2 [89.8]	45,3 [401]
DTR142S-030	30:1	233 [2058]	223 [1970]	213 [1882]	573 [5070]	231 [2045]	218 [1932]	205 [1819]	10,6 [93.8]	38,8 [343]
DTR142S-040	40:1	167 [1478]	160 [1415]	153 [1352]	486 [4300]	166 [1469]	157 [1387]	148 [1306]	10,1 [89.4]	42,8 [379]
DTR142S-050	50:1	125 [1109]	120 [1061]	115 [1014]	404 [3575]	125 [1102]	118 [1041]	111 [980]	9,91 [87.6]	45,0 [398]
DTR142S-060	60:1	351 [3105]	346 [3061]	341 [3018]	814 [7200]	350 [3099]	344 [3042]	337 [2986]	13,8 [122]	31,0 [274]
DTR142S-075	75:1	236 [2084]	232 [2049]	228 [2014]	593 [5250]	235 [2079]	230 [2034]	225 [1989]	11,1 [97.9]	39,4 [348]
DTR142S-090	90:1	236 [2087]	233 [2058]	229 [2029]	597 [5280]	235 [2083]	231 [2045]	227 [2008]	11,6 [103]	39,1 [346]
DTR142S-100	100:1	352 [3114]	349 [3088]	346 [3061]	825 [7300]	351 [3110]	348 [3076]	344 [3042]	13,1 [116]	31,3 [278]
DTR142S-120	120:1	169 [1499]	167 [1478]	165 [1457]	506 [4480]	169 [1496]	166 [1469]	163 [1442]	11,1 [98.2]	43,0 [380]
DTR142S-125	125:1	127 [1123]	125 [1104]	123 [1085]	415 [3675]	127 [1120]	124 [1096]	121 [1071]	10,4 [91.7]	45,3 [401]
DTR142S-150	150:1	237 [2093]	235 [2076]	233 [2058]	607 [5370]	236 [2091]	234 [2068]	231 [2045]	10,9 [96.4]	39,3 [348]
DTR142S-200	200:1	353 [3120]	351 [3107]	350 [3094]	842 [7450]	352 [3118]	350 [3101]	349 [3085]	12,9 [114]	30,5 [270]
DTR142S-250	250:1	127 [1128]	126 [1118]	125 [1109]	421 [3725]	127 [1126]	126 [1114]	125 [1102]	10,2 [90.3]	45,2 [400]
DTR142S-300	300:1	237 [2098]	236 [2089]	235 [2080]	614 [5430]	237 [2096]	236 [2085]	234 [2074]	10,7 [94.3]	38,8 [343]
DTR142S-400	400:1	170 [1506]	169 [1500]	169 [1494]	518 [4580]	170 [1505]	169 [1497]	168 [1489]	10,2 [89.8]	42,8 [379]
DTR142S-500	500:1	128 [1130]	127 [1125]	127 [1121]	427 [3775]	128 [1129]	127 [1123]	126 [1117]	9,96 [88.1]	45,0 [398]

Ratio 5P is designed using only PowerTRUE face gearing technology.
 Ratio 5T adds a True Planetary gearing stage for increased torque capacity.
¹ Ratios are exact, higher ratios and other custom options are also available, consult factory.

T_r = Rated output torque at rated speed for specific hours of life.
 J = Mass moment of inertia reflected to the input shaft (including pinion assembly)
 T_{peak} = Allowable momentary peak torque for emergency stop or heavy shock loading.

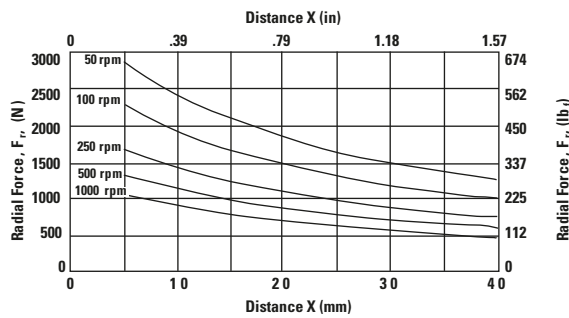
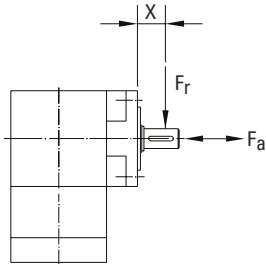
Radial and Axial Load Ratings

DTR60



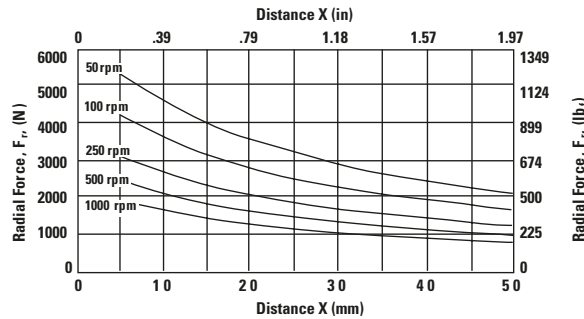
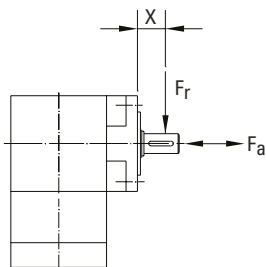
Speed rpm	Axial Load, F_a N [lb _f]
50	3075 [692]
100	2441 [549]
250	1798 [405]
500	1427 [321]
1000	1133 [255]

DTR90



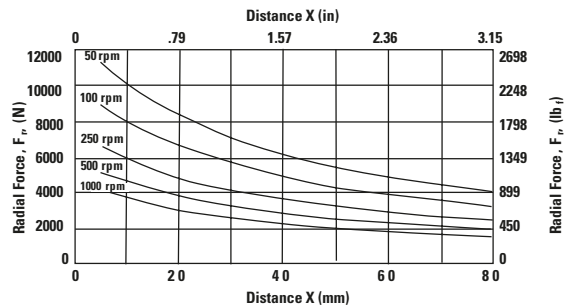
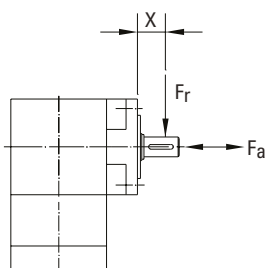
Speed rpm	Axial Load, F_a N [lb _f]
50	4506 [1014]
100	3576 [805]
250	2635 [593]
500	2091 [471]
1000	1660 [373]

DTR115



Speed rpm	Axial Load, F_a N [lb _f]
50	8196 [1844]
100	6505 [1464]
250	4793 [1078]
500	3804 [856]
1000	3019 [679]

DTR142

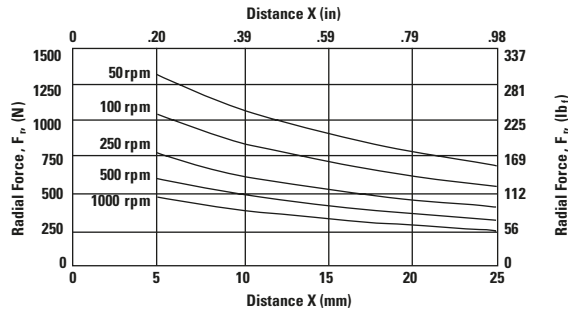
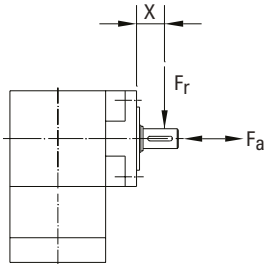


Speed rpm	Axial Load, F_a N [lb _f]
50	17023 [3830]
100	13511 [3040]
250	9956 [2240]
500	7902 [1778]
1000	6271 [1411]

These graphs display the allowable radial load at a given distance (X) from the mounting surface based on an L_{10} life of 10,000 hours for the mean output speed n_{mout} , as described on page 9.

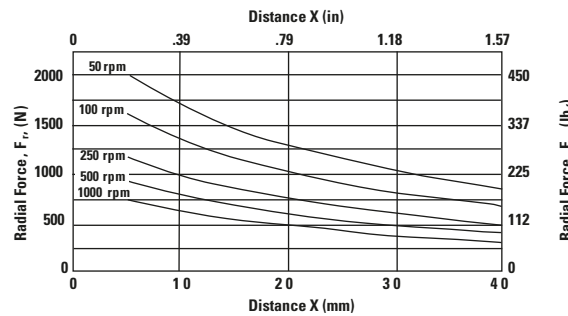
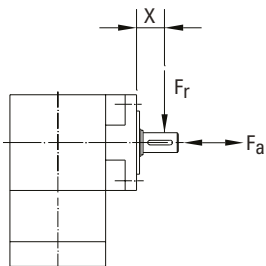
Radial and Axial Load Ratings

DTR60S



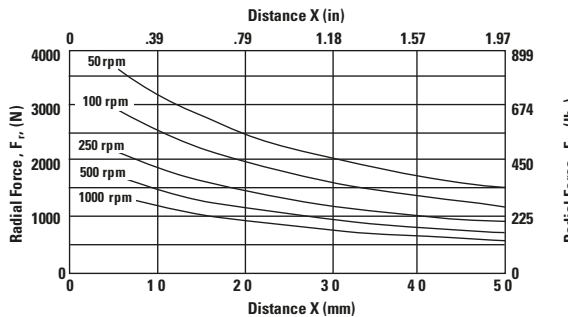
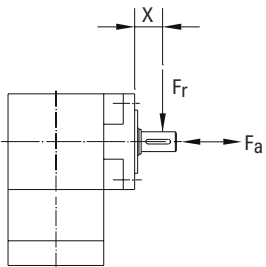
Speed rpm	Axial Load, F_a N [lb _f]
50	2155 [484]
100	1710 [384]
250	1260 [283]
500	1000 [225]
1000	794 [178]

DTR90S



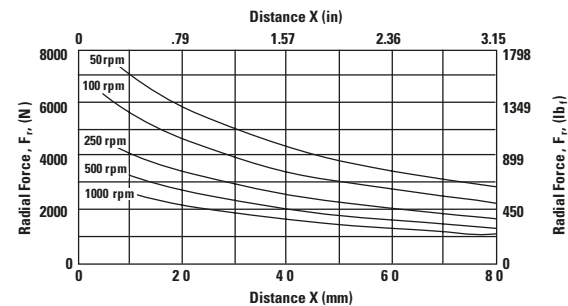
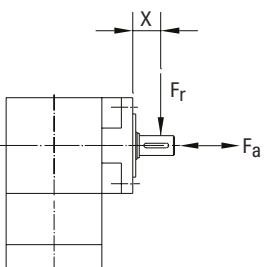
Speed rpm	Axial Load, F_a N [lb _f]
50	3157 [710]
100	2506 [563]
250	1846 [415]
500	1465 [329]
1000	1163 [261]

DTR115S



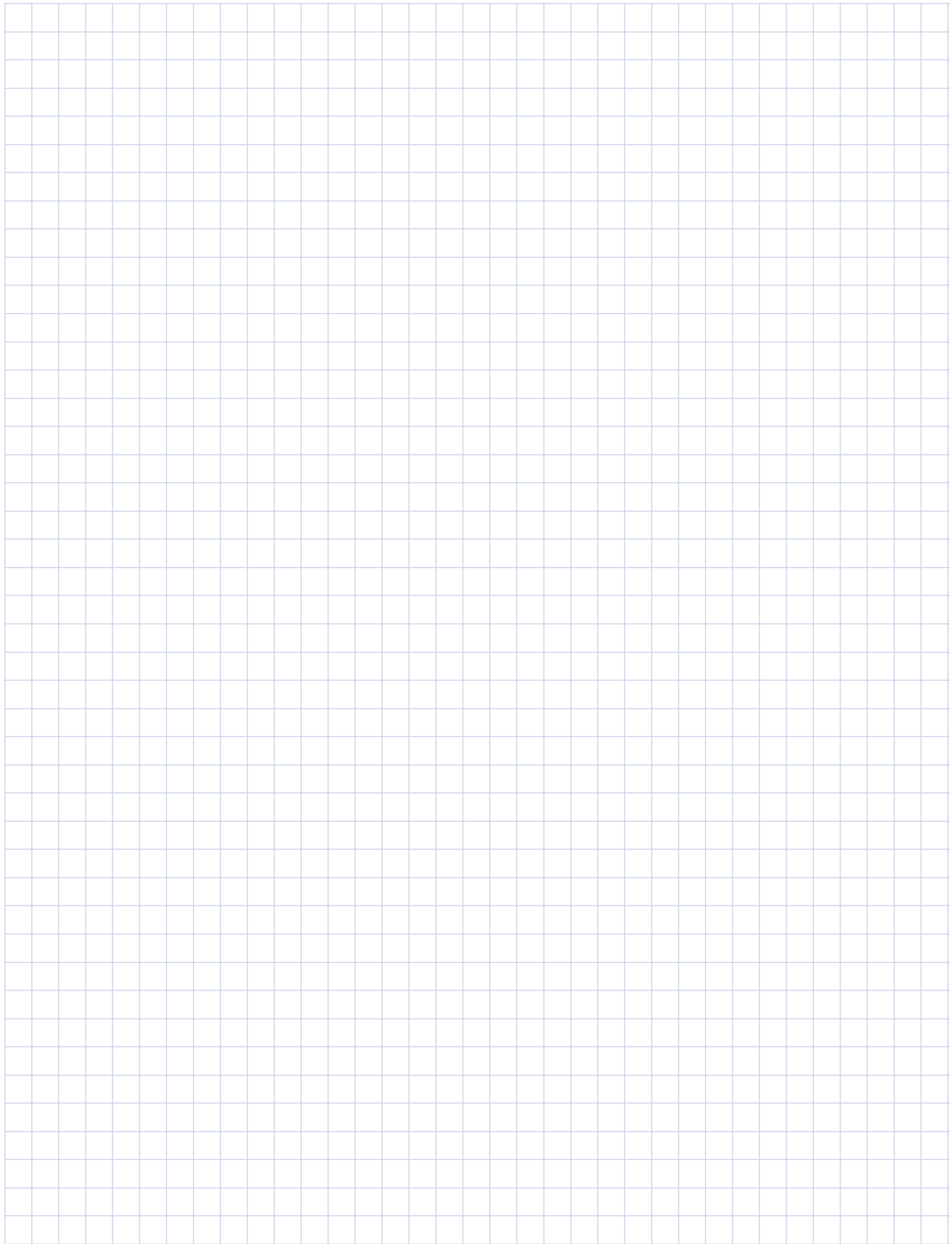
Speed rpm	Axial Load, F_a N [lb _f]
50	5742 [1291]
100	4558 [1025]
250	3358 [755]
500	2665 [599]
1000	2115 [476]

DTR142S



Speed rpm	Axial Load, F_a N [lb _f]
50	11925 [2681]
100	9465 [2128]
250	6974 [1568]
500	5535 [1244]
1000	4393 [988]

These graphs display the allowable radial load at a given distance (X) from the mounting surface based on an L_{10} life of 10,000 hours for the mean output speed n_{mout} , as described on page 9.

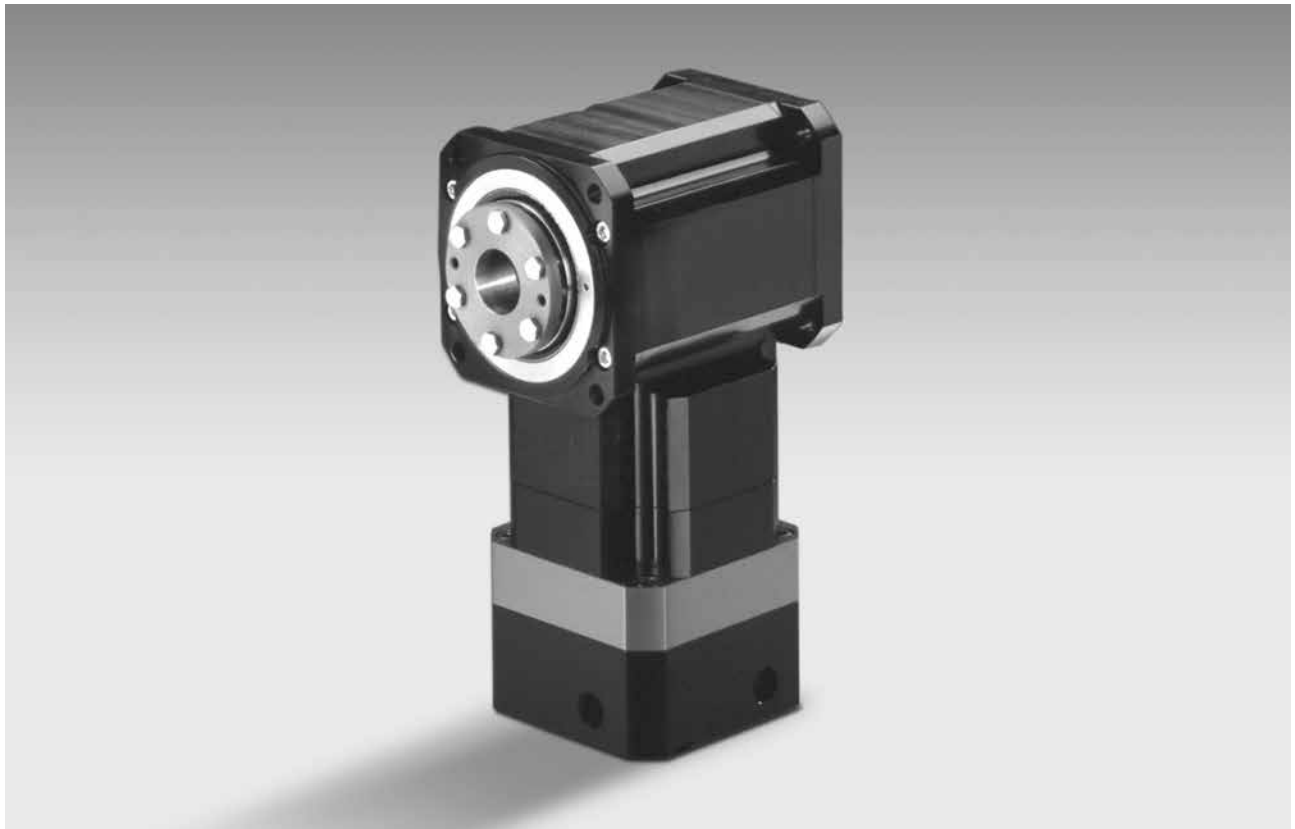


DuraTRUE 90™ Hollow Shaft

Right Angle Gearheads

Ready for Immediate Delivery

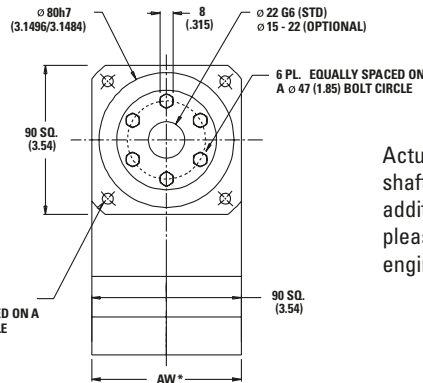
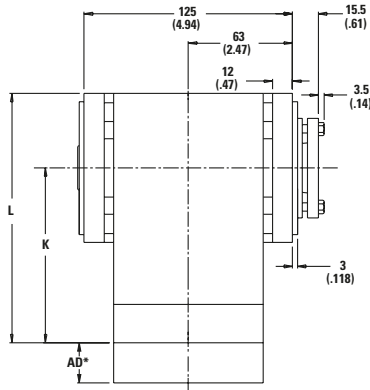
Precision	8 arc-minutes
Frame Sizes	90mm, 115mm and 142mm
Torque Capacity	up to 865 Nm
Ratio Availability	1:1 thru 500:1
Radial load capacity	up to 11150 N
Mounting System	RediMount™



DuraTRUE 90™ Size 90H (Hollow Shaft)

Right Angle Gearheads

Metric



Actual thru bore of output shaft is larger than shown. For additional thru bore information, please contact application engineering.

Ratio ¹	Dimension 'K' mm [in]	Dimension 'L' mm [in]	Backlash [arc-min]	Weight kg [lb]	Efficiency
1:1 to 5:1P	101 [3.99]	146 [5.76]	8 max	4.1 [9]	98%
5:1T to 50:1	124 [4.89]	169 [6.66]	9 max	4.8 [10]	93%
60:1 to 500:1	147 [5.79]	192 [7.56]	9 max	5.5 [12]	88%

All dimensions are: mm (inch)
 AW* = Adapter width
 AD* = Adapter length
 Both will vary depending on motor.
 Efficiency is calculated at 100% of the rated torque.

Performance Specifications

Part Number	Ratio ¹	10,000 Hour Life			T peak Nm [in-lb]	20,000 Hour Life			J kg-cm ² [in-lb-sec ² x10 ⁻⁴]	Torsional Stiffness Nm/arc-min [in-lb/arc-min]
		T _r (1000 rpm) Nm [in-lb]	T _r (3000 rpm) Nm [in-lb]	T _r (5000 rpm) Nm [in-lb]		T _r (1000 rpm) Nm [in-lb]	T _r (3000 rpm) Nm [in-lb]	T _r (5000 rpm) Nm [in-lb]		
DTR90H-001	1:1	21 [188]	19 [171]	17 [155]	140 [1237]	20 [173]	18 [158]	16 [143]	3,11 [27.5]	4,3 [37.9]
DTR90H-002	2:1	48 [426]	44 [389]	40 [352]	140 [1237]	44 [394]	41 [359]	37 [325]	1,59 [14.1]	6,5 [57.2]
DTR90H-003	3:1	32 [281]	29 [256]	26 [232]	140 [1237]	29 [260]	27 [237]	24 [214]	1,37 [12.1]	7,3 [64.6]
DTR90H-004	4:1	24 [215]	22 [196]	20 [177]	140 [1237]	22 [199]	20 [181]	19 [164]	1,27 [11.2]	7,6 [67.7]
DTR90H-005P	5:1P	18 [158]	16 [144]	15 [131]	140 [1237]	17 [146]	15 [133]	14 [121]	1,25 [11.0]	7,8 [69.2]
DTR90H-005T	5:1T	64 [568]	55 [483]	53 [469]	140 [1237]	63 [556]	50 [446]	49 [433]	1,64 [14.5]	5,1 [45.1]
DTR90H-006	6:1	57 [501]	48 [426]	47 [414]	140 [1237]	55 [490]	44 [394]	43 [382]	1,63 [14.4]	5,1 [45.1]
DTR90H-009	9:1	37 [331]	32 [281]	31 [273]	140 [1237]	37 [323]	29 [260]	28 [252]	1,37 [12.1]	6,4 [56.9]
DTR90H-010	10:1	58 [516]	53 [471]	48 [426]	140 [1237]	58 [510]	51 [452]	44 [394]	1,54 [13.7]	5,0 [44.5]
DTR90H-012	12:1	29 [253]	24 [215]	24 [209]	140 [1237]	28 [247]	22 [199]	22 [193]	1,31 [11.6]	7,1 [62.7]
DTR90H-015	15:1	38 [340]	35 [311]	32 [281]	140 [1237]	38 [336]	34 [298]	29 [260]	1,28 [11.3]	7,4 [65.8]
DTR90H-020	20:1	29 [261]	27 [238]	24 [215]	140 [1237]	29 [257]	26 [228]	22 [199]	1,22 [10.8]	7,1 [62.4]
DTR90H-025	25:1	22 [192]	20 [175]	18 [158]	140 [1237]	21 [189]	19 [168]	17 [146]	1,20 [10.6]	7,4 [65.6]
DTR90H-030	30:1	39 [348]	38 [333]	36 [318]	140 [1237]	39 [346]	37 [327]	35 [307]	1,25 [11.1]	6,1 [53.8]
DTR90H-040	40:1	30 [266]	29 [255]	28 [243]	140 [1237]	30 [265]	28 [250]	27 [235]	1,19 [10.6]	6,8 [60.5]
DTR90H-050	50:1	22 [196]	21 [188]	20 [179]	140 [1237]	22 [195]	21 [184]	20 [173]	1,17 [10.4]	7,3 [64.2]
DTR90H-060	60:1	60 [535]	60 [527]	59 [520]	140 [1237]	60 [534]	59 [524]	58 [514]	1,63 [14.4]	4,9 [43.5]
DTR90H-075	75:1	40 [352]	39 [346]	38 [340]	140 [1237]	40 [351]	39 [344]	38 [336]	1,31 [11.6]	6,4 [56.2]
DTR90H-090	90:1	40 [353]	39 [348]	39 [343]	140 [1237]	40 [352]	39 [346]	38 [339]	1,37 [12.1]	6,3 [55.8]
DTR90H-100	100:1	61 [536]	60 [532]	60 [527]	140 [1237]	61 [536]	60 [530]	59 [524]	1,55 [13.7]	5,0 [43.9]
DTR90H-120	120:1	31 [270]	30 [266]	30 [262]	140 [1237]	30 [269]	30 [265]	29 [260]	1,31 [11.6]	7,0 [62.0]
DTR90H-125	125:1	22 [198]	22 [195]	22 [192]	140 [1237]	22 [198]	22 [194]	21 [189]	1,23 [10.8]	7,4 [65.5]
DTR90H-150	150:1	40 [354]	40 [351]	39 [348]	140 [1237]	40 [353]	39 [350]	39 [346]	1,29 [11.4]	6,3 [56.1]
DTR90H-200	200:1	61 [538]	60 [535]	60 [533]	140 [1237]	61 [537]	60 [534]	60 [531]	1,52 [13.5]	4,6 [40.7]
DTR90H-250	250:1	23 [199]	22 [198]	22 [196]	140 [1237]	22 [199]	22 [197]	22 [195]	1,21 [10.7]	7,4 [65.4]
DTR90H-300	300:1	40 [355]	40 [353]	40 [352]	140 [1237]	40 [354]	40 [352]	40 [350]	1,26 [11.1]	6,1 [53.7]
DTR90H-400	400:1	31 [271]	31 [270]	30 [269]	140 [1237]	31 [271]	30 [270]	30 [268]	1,20 [10.6]	6,8 [60.5]
DTR90H-500	500:1	23 [200]	22 [199]	22 [198]	140 [1237]	23 [200]	22 [198]	22 [197]	1,18 [10.4]	7,3 [64.2]

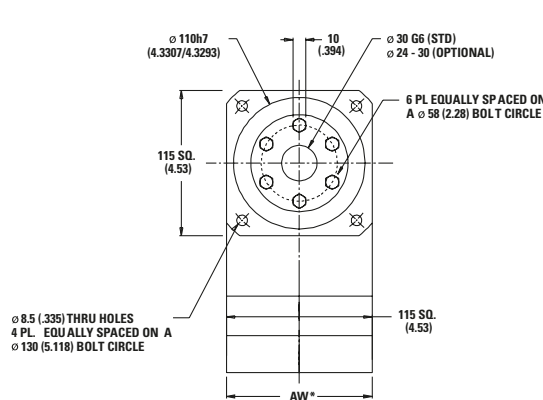
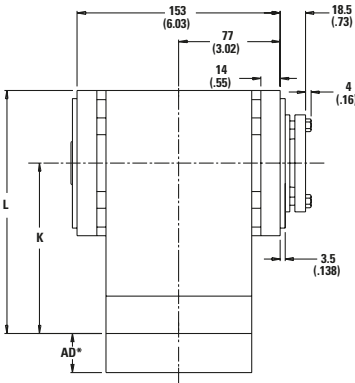
Ratio 5P is designed using only PowerTRUE face gearing technology.
 Ratio 5T adds a True Planetary gearing stage for increased torque capacity.
¹ Ratios are exact, higher ratios are also available, consult factory.

T_r = Rated output torque at rated speed for specific hours of life.
 J = Mass moment of inertia reflected to the input shaft (including pinion assembly)
 T_{peak} = Allowable momentary peak torque for emergency stop or heavy shock loading.

DuraTRUE 90™ Size 115H (Hollow Shaft)

Metric

Right Angle Gearheads



Actual thru bore of output shaft is larger than shown. For additional thru bore information, please contact application engineering.

Ratio ¹	Dimension 'K' mm [in]	Dimension 'L' mm [in]	Backlash [arc-min]	Weight kg [lb]	Efficiency
1:1 to 5:1P	137 [5.41]	195 [7.67]	8 max	9 [20]	98%
5:1T to 50:1	169 [6.64]	226 [8.90]	9 max	11 [24]	93%
60:1 to 500:1	200 [7.87]	257 [10.13]	9 max	12 [27]	88%

All dimensions are: mm (inch)
 AW* = Adapter width
 AD* = Adapter length
 Both will vary depending on motor.
 Efficiency is calculated at 100% of the rated torque.

Performance Specifications

Part Number	Ratio ¹	10,000 Hour Life			T peak Nm [in-lb]	20,000 Hour Life			J kg-cm ² [in-lb-sec ² x10 ⁻⁴]	Torsional Stiffness Nm/arc-min [in-lb/arc-min]
		T _r (1000 rpm) Nm [in-lb]	T _r (3000 rpm) Nm [in-lb]	T _r (5000 rpm) Nm [in-lb]		T _r (1000 rpm) Nm [in-lb]	T _r (3000 rpm) Nm [in-lb]	T _r (5000 rpm) Nm [in-lb]		
DTR115H-001	1:1	63 [554]	57 [506]	52 [457]	283 [2505]	58 [512]	53 [467]	48 [422]	5,28 [46.7]	7,6 [67.6]
DTR115H-002	2:1	112 [989]	102 [903]	92 [816]	283 [2505]	103 [913]	94 [834]	85 [754]	2,71 [23.9]	12,5 [111]
DTR115H-003	3:1	87 [768]	79 [701]	72 [634]	283 [2505]	80 [709]	73 [647]	66 [585]	2,33 [20.6]	14,2 [126]
DTR115H-004	4:1	58 [511]	53 [467]	48 [422]	283 [2505]	53 [472]	49 [431]	44 [390]	2,16 [19.1]	14,9 [132]
DTR115H-005P	5:1P	43 [384]	40 [350]	36 [316]	283 [2505]	40 [354]	37 [323]	33 [292]	2,12 [18.8]	15,3 [135]
DTR115H-005T	5:1T	170 [1505]	126 [1117]	108 [958]	283 [2505]	143 [1262]	102 [907]	88 [778]	2,78 [24.6]	15,3 [135]
DTR115H-006	6:1	131 [1163]	112 [989]	109 [960]	283 [2505]	129 [1138]	103 [913]	100 [887]	2,77 [24.5]	10,2 [90.7]
DTR115H-009	9:1	102 [903]	87 [768]	84 [746]	283 [2505]	100 [884]	80 [709]	78 [689]	2,32 [20.5]	12,8 [113]
DTR115H-010	10:1	135 [1198]	124 [1094]	112 [989]	283 [2505]	134 [1183]	118 [1048]	103 [913]	2,63 [23.2]	10,2 [90.3]
DTR115H-012	12:1	68 [601]	58 [511]	56 [496]	283 [2505]	66 [588]	53 [472]	52 [458]	2,22 [19.6]	14,0 [124]
DTR115H-015	15:1	105 [930]	96 [849]	87 [768]	283 [2505]	104 [919]	92 [814]	80 [709]	2,18 [19.3]	14,6 [130]
DTR115H-020	20:1	70 [619]	64 [565]	58 [511]	283 [2505]	69 [612]	61 [542]	53 [472]	2,08 [18.4]	14,0 [124]
DTR115H-025	25:1	52 [465]	48 [424]	43 [384]	283 [2505]	52 [459]	46 [406]	40 [354]	2,04 [18.0]	14,6 [129]
DTR115H-030	30:1	107 [951]	103 [910]	98 [869]	283 [2505]	107 [945]	101 [892]	95 [840]	2,13 [18.9]	12,5 [111]
DTR115H-040	40:1	72 [633]	68 [606]	65 [579]	283 [2505]	71 [629]	67 [594]	63 [559]	2,03 [18.0]	13,8 [122]
DTR115H-050	50:1	54 [475]	51 [454]	49 [434]	283 [2505]	53 [472]	50 [446]	47 [419]	1,99 [17.6]	14,5 [128]
DTR115H-060	60:1	140 [1242]	138 [1224]	136 [1207]	283 [2505]	140 [1239]	137 [1217]	135 [1194]	2,78 [24.6]	10,0 [88.5]
DTR115H-075	75:1	109 [963]	107 [947]	105 [930]	283 [2505]	109 [960]	106 [939]	104 [919]	2,22 [19.7]	12,7 [112]
DTR115H-090	90:1	109 [964]	107 [951]	106 [937]	283 [2505]	109 [962]	107 [945]	105 [927]	2,33 [20.6]	12,6 [112]
DTR115H-100	100:1	141 [1245]	140 [1235]	138 [1224]	283 [2505]	141 [1244]	137 [1230]	137 [1217]	2,64 [23.3]	10,1 [89.5]
DTR115H-120	120:1	73 [642]	72 [633]	70 [624]	283 [2505]	72 [641]	70 [629]	70 [617]	2,23 [19.7]	13,9 [123]
DTR115H-125	125:1	54 [481]	53 [473]	52 [465]	283 [2505]	54 [480]	52 [469]	52 [459]	2,08 [18.4]	14,6 [129]
DTR115H-150	150:1	109 [967]	108 [959]	107 [951]	283 [2505]	109 [966]	107 [955]	107 [945]	2,19 [19.4]	12,7 [112]
DTR115H-200	200:1	141 [1248]	140 [1243]	140 [1237]	283 [2505]	141 [1247]	139 [1240]	138 [1234]	2,59 [22.9]	9,8 [87.1]
DTR115H-250	250:1	55 [483]	54 [479]	54 [475]	283 [2505]	54 [482]	53 [477]	53 [472]	2,05 [18.1]	14,6 [129]
DTR115H-300	300:1	109 [969]	109 [965]	109 [961]	283 [2505]	109 [968]	108 [963]	108 [958]	2,14 [18.9]	12,5 [111]
DTR115H-400	400:1	73 [645]	73 [642]	72 [640]	283 [2505]	73 [645]	72 [641]	72 [638]	2,04 [18.1]	13,8 [122]
DTR115H-500	500:1	55 [484]	54 [482]	54 [480]	283 [2505]	55 [483]	54 [481]	54 [478]	2,00 [17.7]	14,5 [128]

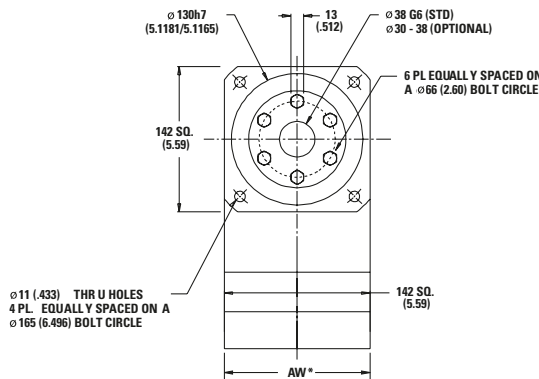
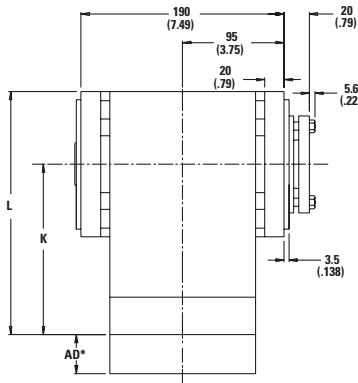
Ratio 5P is designed using only PowerTRUE face gearing technology.
 Ratio 5T adds a True Planetary gearing stage for increased torque capacity.
¹ Ratios are exact, higher ratios are also available, consult factory.

T_r = Rated output torque at rated speed for specific hours of life.
 J = Mass moment of inertia reflected to the input shaft (including pinion assembly)
 T_{peak} = Allowable momentary peak torque for emergency stop or heavy shock loading.

DuraTRUE 90™ Size 142H (Hollow Shaft)

Right Angle Gearheads

Metric



Actual thru bore of output shaft is larger than shown. For additional thru bore information, please contact application engineering.

Ratio ¹	Dimension 'K' mm [in]	Dimension 'L' mm [in]	Backlash [arc-min]	Weight kg [lb]	Efficiency
1:1 to 5:1P	163 [6.43]	234 [9.22]	8 max	19 [43]	98%
5:1T to 50:1	233 [9.17]	304 [11.96]	9 max	24 [53]	93%
60:1 to 500:1	262 [10.3]	332 [13.10]	9 max	28 [62]	88%

All dimensions are: mm (inch)
 AW* = Adapter width
 AD* = Adapter length
 Both will vary depending on motor.
 Efficiency is calculated at 100% of the rated torque.

Performance Specifications

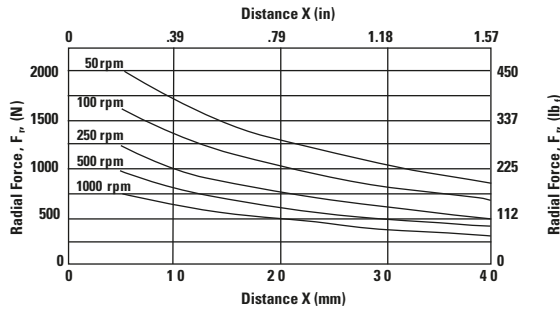
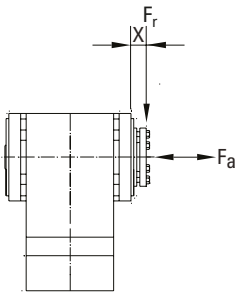
Part Number	Ratio ¹	10,000 Hour Life				T peak Nm [in-lb]	20,000 Hour Life			J kg-cm ² [in-lb-sec ² x10 ⁻⁴]	Torsional Stiffness Nm/arc-min [in-lb/arc-min]
		T _r (1000 rpm) Nm [in-lb]	T _r (3000 rpm) Nm [in-lb]	T _r (5000 rpm) Nm [in-lb]	T _r (1000 rpm) Nm [in-lb]		T _r (3000 rpm) Nm [in-lb]	T _r (5000 rpm) Nm [in-lb]			
DTR142H-001	1:1	135 [1194]	123 [1090]	111 [985]	865 [7659]	125 [1103]	114 [1006]	103 [910]	26.3 [232]	23,7 [210]	
DTR142H-002	2:1	279 [2474]	255 [2257]	231 [2041]	865 [7659]	258 [2284]	236 [2084]	213 [1885]	13.5 [119]	38,9 [344]	
DTR142H-003	3:1	188 [1663]	171 [1518]	155 [1372]	865 [7659]	174 [1536]	158 [1401]	143 [1267]	11.6 [102]	44,1 [390]	
DTR142H-004	4:1	135 [1194]	123 [1090]	111 [985]	865 [7659]	125 [1103]	114 [1006]	103 [910]	10.8 [95.1]	46,3 [410]	
DTR142H-005P	5:1P	101 [896]	92 [818]	84 [739]	865 [7659]	93 [827]	85 [755]	77 [683]	10.6 [93.3]	47,4 [419]	
DTR142H-005T	5:1T	340 [3009]	289 [2559]	281 [2484]	865 [7659]	333 [2944]	267 [2363]	259 [2294]	13.8 [122]	47,4 [419]	
DTR142H-006	6:1	329 [2909]	279 [2474]	271 [2402]	865 [7659]	322 [2846]	258 [2284]	251 [2218]	13.8 [122]	31,8 [281]	
DTR142H-009	9:1	221 [1956]	188 [1663]	182 [1614]	865 [7659]	216 [1913]	174 [1536]	168 [1491]	11.6 [102]	39,6 [351]	
DTR142H-010	10:1	339 [2996]	309 [2735]	279 [2474]	865 [7659]	334 [2958]	296 [2621]	258 [2284]	13.1 [116]	31,6 [280]	
DTR142H-012	12:1	159 [1404]	135 [1194]	131 [1159]	865 [7659]	155 [1374]	125 [1103]	121 [1071]	11.1 [97.7]	43,4 [384]	
DTR142H-015	15:1	228 [2014]	208 [1839]	188 [1663]	865 [7659]	225 [1989]	199 [1762]	174 [1536]	10.9 [95.9]	45,4 [402]	
DTR142H-020	20:1	163 [1446]	149 [1320]	135 [1194]	865 [7659]	161 [1428]	143 [1265]	125 [1103]	10.4 [91.5]	43,3 [383]	
DTR142H-025	25:1	123 [1085]	112 [991]	101 [896]	865 [7659]	121 [1071]	107 [949]	93 [827]	10.2 [89.8]	45,3 [401]	
DTR142H-030	30:1	233 [2058]	223 [1970]	213 [1882]	865 [7659]	231 [2045]	218 [1932]	205 [1819]	10.6 [93.8]	38,8 [343]	
DTR142H-040	40:1	167 [1478]	160 [1415]	153 [1352]	865 [7659]	166 [1469]	157 [1387]	148 [1306]	10.1 [89.4]	42,8 [379]	
DTR142H-050	50:1	125 [1109]	120 [1061]	115 [1014]	865 [7659]	125 [1102]	118 [1041]	111 [980]	9.91 [87.6]	45,0 [398]	
DTR142H-060	60:1	351 [3105]	346 [3061]	341 [3018]	865 [7659]	350 [3099]	344 [3042]	337 [2986]	13.8 [122]	31,0 [274]	
DTR142H-075	75:1	236 [2084]	232 [2049]	228 [2014]	865 [7659]	235 [2079]	230 [2034]	225 [1989]	11.1 [97.9]	39,4 [348]	
DTR142H-090	90:1	236 [2087]	233 [2058]	229 [2029]	865 [7659]	235 [2083]	231 [2045]	227 [2008]	11.6 [103]	39,1 [346]	
DTR142H-100	100:1	352 [3114]	349 [3088]	346 [3061]	865 [7659]	351 [3110]	348 [3076]	344 [3042]	13.1 [116]	31,3 [278]	
DTR142H-120	120:1	169 [1499]	167 [1478]	165 [1457]	865 [7659]	169 [1496]	166 [1469]	163 [1442]	11.1 [98.2]	43,0 [380]	
DTR142H-125	125:1	127 [1123]	125 [1104]	123 [1085]	865 [7659]	127 [1120]	124 [1096]	121 [1071]	10.4 [91.7]	45,3 [401]	
DTR142H-150	150:1	237 [2093]	235 [2076]	233 [2058]	865 [7659]	236 [2091]	234 [2068]	231 [2045]	10.9 [96.4]	39,3 [348]	
DTR142H-200	200:1	353 [3120]	351 [3107]	350 [3094]	865 [7659]	352 [3118]	350 [3101]	349 [3085]	12.9 [114]	30,5 [270]	
DTR142H-250	250:1	127 [1128]	126 [1118]	125 [1109]	865 [7659]	127 [1126]	126 [1114]	125 [1102]	10.2 [90.3]	45,2 [400]	
DTR142H-300	300:1	237 [2098]	236 [2089]	235 [2080]	865 [7659]	237 [2096]	236 [2085]	234 [2074]	10.7 [94.3]	38,8 [343]	
DTR142H-400	400:1	170 [1506]	169 [1500]	169 [1494]	865 [7659]	170 [1505]	169 [1497]	168 [1489]	10.2 [89.8]	42,8 [379]	
DTR142H-500	500:1	128 [1130]	127 [1125]	127 [1121]	865 [7659]	128 [1129]	127 [1123]	126 [1117]	9.96 [88.1]	45,0 [398]	

Ratio 5P is designed using only PowerTRUE face gearing technology.
 Ratio 5T adds a True Planetary gearing stage for increased torque capacity.
¹ Ratios are exact, higher ratios are also available, consult factory.

T_r = Rated output torque at rated speed for specific hours of life.
 J = Mass moment of inertia reflected to the input shaft (including pinion assembly)
 T_{peak} = Allowable momentary peak torque for emergency stop or heavy shock loading.

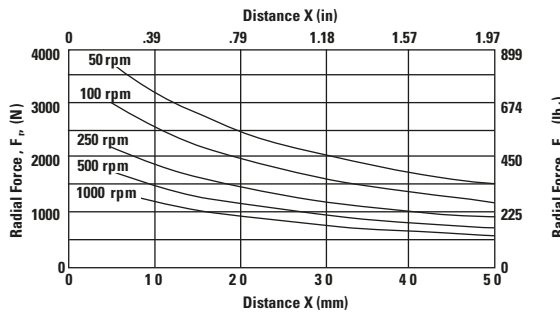
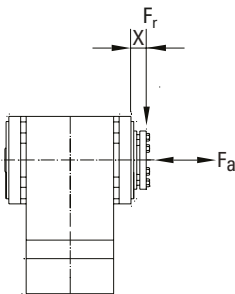
Radial and Axial Load Ratings

DTR90H



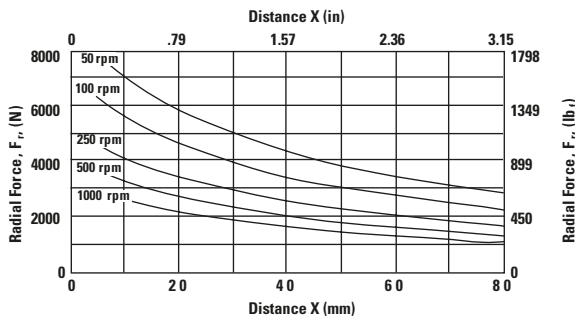
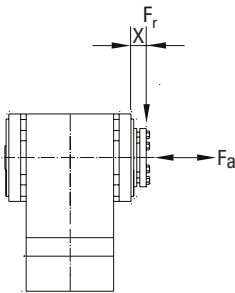
Speed rpm	Axial Load, F_a N [lb _f]
50	3157 [710]
100	2506 [563]
250	1846 [415]
500	1465 [329]
1000	1163 [261]

DTR115H



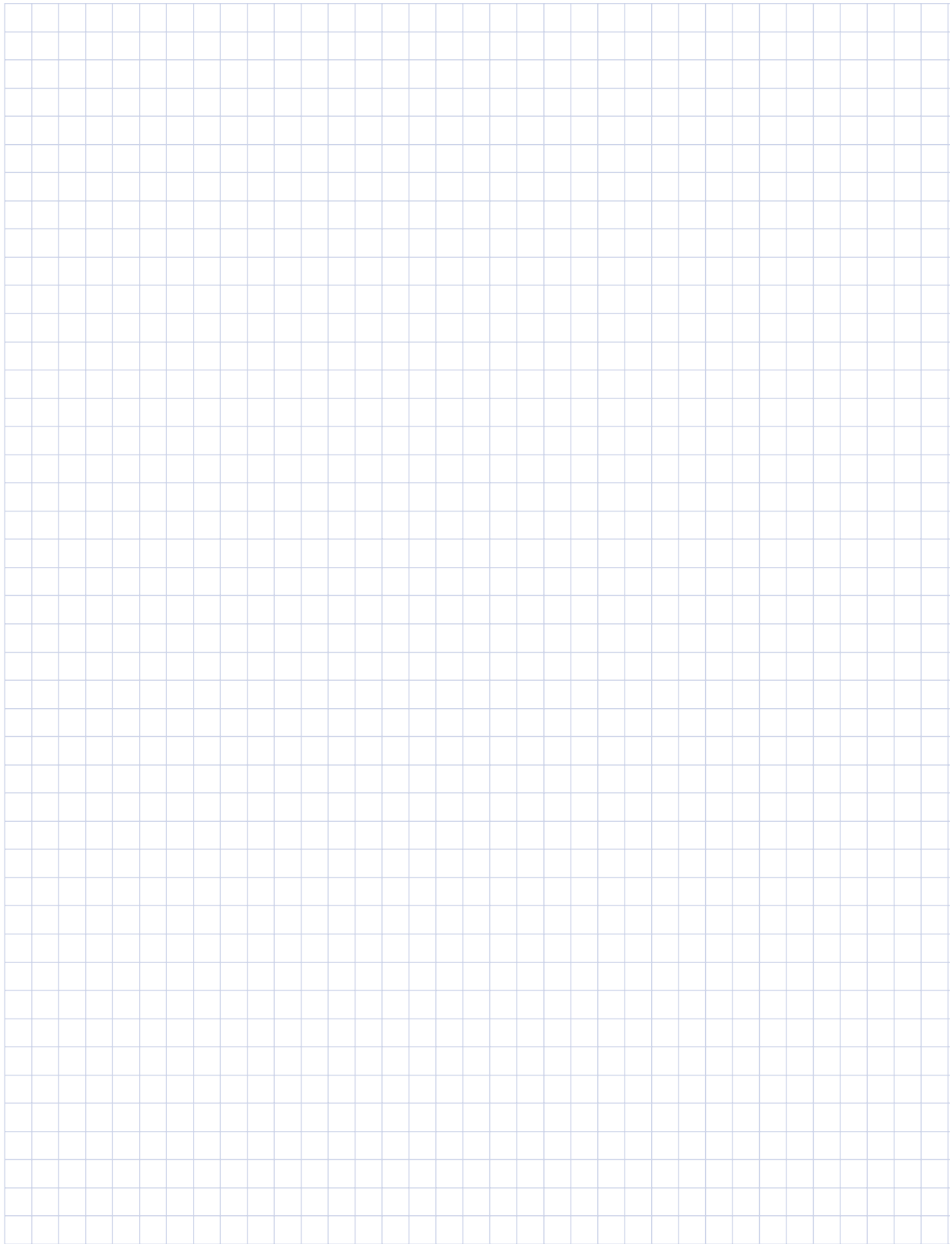
Speed rpm	Axial Load, F_a N [lb _f]
50	5742 [1291]
100	4558 [1025]
250	3358 [755]
500	2665 [599]
1000	2115 [476]

DTR142H



Speed rpm	Axial Load, F_a N [lb _f]
50	11925 [2681]
100	9465 [2128]
250	6974 [1568]
500	5535 [1244]
1000	4393 [988]

These graphs display the allowable radial load at a given distance (X) from the mounting surface based on an L_{10} life of 10,000 hours for the mean output speed n_{mout} , as described on page 9.

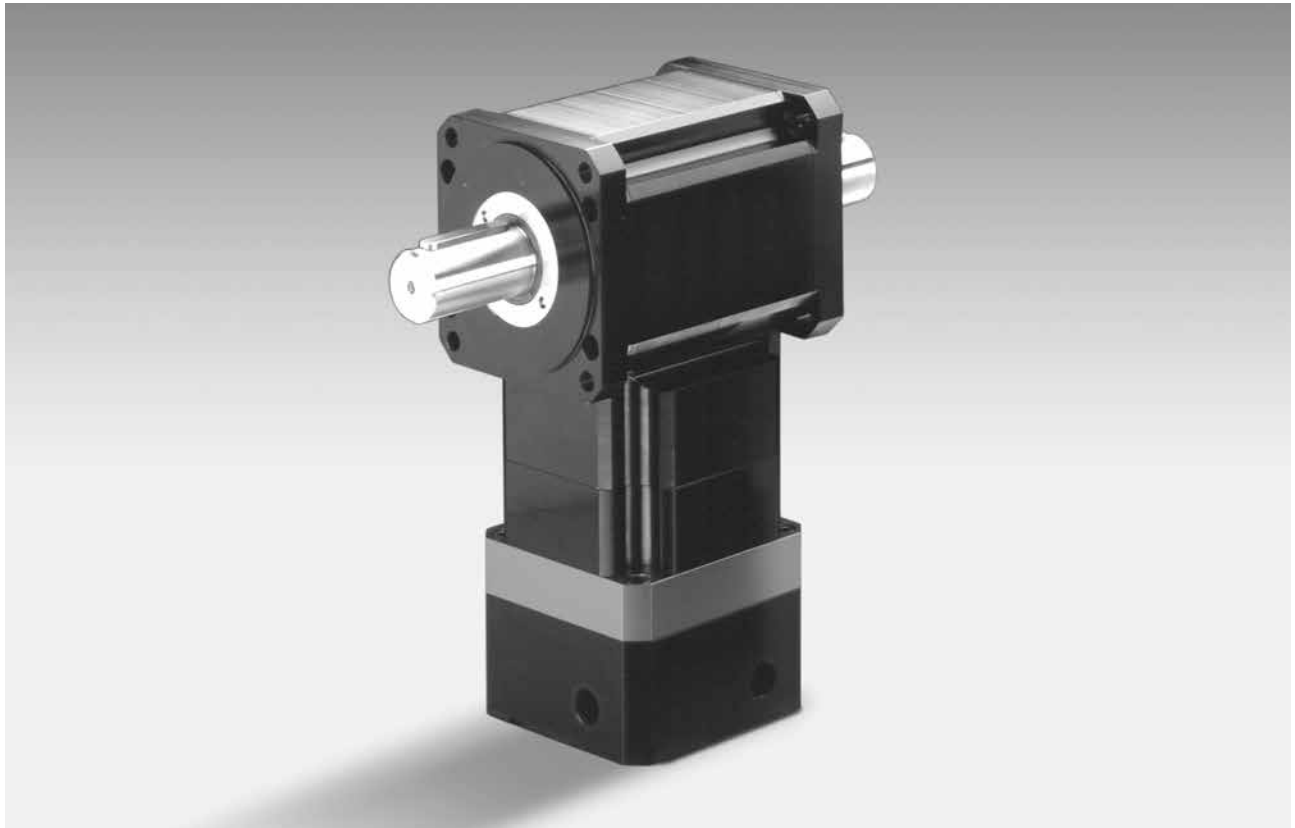


DuraTRUE 90™ Dual Shaft

Right Angle Gearheads

Ready for Immediate Delivery

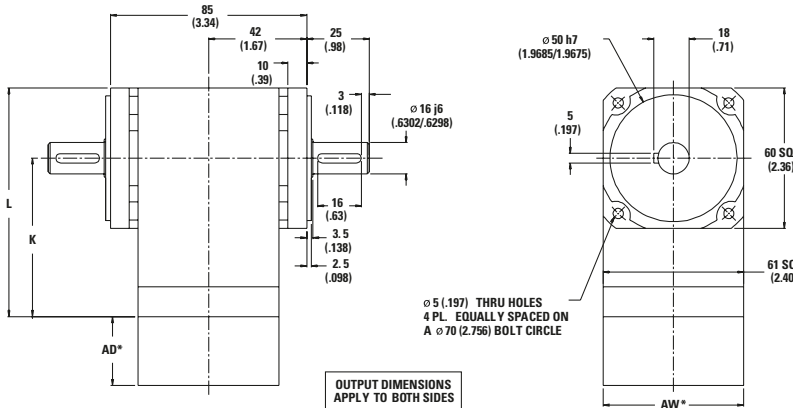
Precision	8 arc-minutes
Frame Sizes	60mm, 90mm, 115mm and 142mm
Torque Capacity	up to 865 Nm
Ratio Availability	1:1 thru 500:1
Radial load capacity	up to 11150 N
Mounting System	RediMount™



DuraTRUE 90™ Size 60D (Dual Shaft)

Right Angle Gearheads

Metric



Ratio ¹	Dimension 'K' mm [in]	Dimension 'L' mm [in]	Backlash [arc-min]	Weight kg [lb]	Efficiency
1:1 to 5:1P	80 [3.15]	110 [4.33]	8 max	2,3 [5]	98%
5:1T to 50:1	97 [3.83]	127 [5.01]	9 max	2,5 [5.5]	93%
60:1 to 500:1	115 [4.52]	145 [5.70]	9 max	2,7 [6]	88%

All dimensions are: mm (inch)
 AW* = Adapter width
 AD* = Adapter length
 Both will vary depending on motor.
 Efficiency is calculated at 100% of the rated torque.

Performance Specifications

Part Number	Ratio ¹	10,000 Hour Life			T peak Nm [in-lb]	20,000 Hour Life			J kg-cm ² [in-lb-sec ² ×10 ⁻⁴]	Torsional Stiffness Nm/arc-min [in-lb/arc-min]
		T _r (1000 rpm) Nm [in-lb]	T _r (3000 rpm) Nm [in-lb]	T _r (5000 rpm) Nm [in-lb]		T _r (1000 rpm) Nm [in-lb]	T _r (3000 rpm) Nm [in-lb]	T _r (5000 rpm) Nm [in-lb]		
DTR60D-001	1:1	7 [66]	7 [60]	6 [54]	46 [407]	7 [61]	6 [56]	6 [50]	.79 [7.0]	1,8 [15.8]
DTR60D-002	2:1	16 [145]	15 [132]	14 [120]	46 [407]	15 [134]	14 [122]	12 [111]	.41 [3.6]	2,7 [23.8]
DTR60D-003	3:1	10 [92]	10 [84]	9 [76]	46 [407]	10 [85]	9 [78]	8 [70]	.35 [3.1]	3,0 [26.9]
DTR60D-004	4:1	8 [68]	7 [62]	6 [56]	46 [407]	7 [63]	6 [57]	6 [52]	.32 [2.9]	3,2 [28.2]
DTR60D-005P	5:1P	6 [56]	6 [51]	5 [46]	46 [407]	6 [52]	5 [47]	5 [43]	.32 [2.8]	3,3 [28.8]
DTR60D-005T	5:1T	23 [200]	18 [162]	16 [138]	46 [407]	21 [182]	15 [132]	13 [112]	.42 [3.7]	3,3 [28.8]
DTR60D-006	6:1	19 [171]	16 [145]	16 [141]	46 [407]	19 [167]	15 [134]	15 [130]	.41 [3.7]	2,1 [18.8]
DTR60D-009	9:1	12 [109]	10 [92]	10 [90]	46 [407]	12 [106]	10 [85]	9 [83]	.35 [3.1]	2,7 [23.7]
DTR60D-010	10:1	20 [176]	18 [160]	16 [145]	46 [407]	20 [174]	17 [154]	15 [134]	.39 [3.5]	2,1 [18.5]
DTR60D-012	12:1	9 [80]	8 [68]	7 [66]	46 [407]	9 [78]	7 [63]	7 [61]	.33 [3.0]	3,0 [26.1]
DTR60D-015	15:1	13 [112]	12 [102]	10 [92]	46 [407]	12 [110]	11 [98]	10 [85]	.33 [2.9]	3,1 [27.4]
DTR60D-020	20:1	9 [82]	8 [75]	8 [68]	46 [407]	9 [81]	8 [72]	7 [63]	.31 [2.8]	2,9 [26.0]
DTR60D-025	25:1	8 [68]	7 [62]	6 [56]	46 [407]	8 [67]	7 [59]	6 [52]	.31 [2.7]	3,1 [27.3]
DTR60D-030	30:1	13 [114]	12 [109]	12 [105]	46 [407]	13 [114]	12 [107]	11 [101]	.32 [2.8]	2,5 [22.4]
DTR60D-040	40:1	10 [84]	9 [81]	9 [77]	46 [407]	9 [84]	9 [79]	8 [74]	.30 [2.7]	2,8 [25.2]
DTR60D-050	50:1	8 [69]	7 [66]	7 [63]	46 [407]	8 [69]	7 [65]	7 [61]	.30 [2.6]	3,0 [26.8]
DTR60D-060	60:1	21 [182]	20 [180]	20 [177]	46 [407]	21 [182]	20 [178]	20 [175]	.42 [3.7]	2,0 [18.1]
DTR60D-075	75:1	13 [116]	13 [114]	13 [112]	46 [407]	13 [115]	13 [113]	12 [110]	.33 [3.0]	2,6 [23.4]
DTR60D-090	90:1	13 [116]	13 [114]	13 [113]	46 [407]	13 [116]	13 [114]	13 [111]	.35 [3.1]	2,6 [23.3]
DTR60D-100	100:1	21 [183]	20 [181]	20 [180]	46 [407]	21 [182]	20 [180]	20 [178]	.40 [3.5]	2,1 [18.3]
DTR60D-120	120:1	10 [85]	10 [84]	9 [83]	46 [407]	10 [85]	9 [84]	9 [82]	.33 [3.0]	2,9 [25.8]
DTR60D-125	125:1	8 [70]	8 [69]	8 [68]	46 [407]	8 [70]	8 [68]	8 [67]	.31 [2.8]	3,1 [27.3]
DTR60D-150	150:1	13 [116]	13 [115]	13 [114]	46 [407]	13 [116]	13 [115]	13 [114]	.33 [2.9]	2,6 [23.4]
DTR60D-200	200:1	21 [183]	21 [182]	21 [181]	46 [407]	21 [183]	21 [182]	20 [181]	.39 [3.4]	1,9 [17.0]
DTR60D-250	250:1	8 [70]	8 [70]	8 [69]	46 [407]	8 [70]	8 [69]	8 [69]	.31 [2.7]	3,1 [27.3]
DTR60D-300	300:1	13 [116]	13 [116]	13 [115]	46 [407]	13 [116]	13 [116]	13 [115]	.32 [2.8]	2,5 [22.4]
DTR60D-400	400:1	10 [86]	10 [85]	10 [85]	46 [407]	10 [86]	10 [85]	10 [85]	.31 [2.7]	2,8 [25.2]
DTR60D-500	500:1	8 [70]	8 [70]	8 [70]	46 [407]	8 [70]	8 [70]	8 [70]	.30 [2.7]	3,0 [26.8]

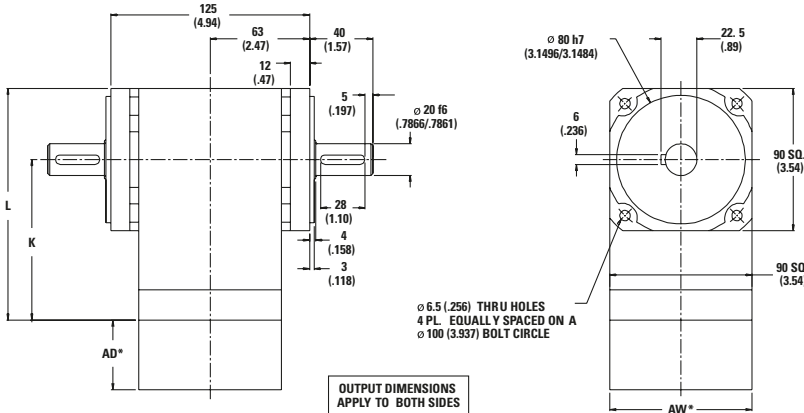
Ratio 5P is designed using only PowerTRUE face gearing technology.
 Ratio 5T adds a True Planetary gearing stage for increased torque capacity.
¹ Ratios are exact, higher ratios are also available, consult factory.

T_r = Rated output torque at rated speed for specific hours of life.
 J = Mass moment of inertia reflected to the input shaft (including pinion assembly)
 T_{peak} = Allowable momentary peak torque for emergency stop or heavy shock loading.

DuraTRUE 90™ Size 90D (Dual Shaft)

Right Angle Gearheads

Metric



Ratio ¹	Dimension 'K' mm [in]	Dimension 'L' mm [in]	Backlash [arc-min]	Weight kg [lb]	Efficiency
1:1 to 5:1P	101 [3.99]	146 [5.76]	8 max	4,1 [9]	98%
5:1T to 50:1	124 [4.89]	169 [6.66]	9 max	4,8 [10]	93%
60:1 to 500:1	147 [5.79]	192 [7.56]	9 max	5,5 [12]	88%

All dimensions are: mm (inch)
 AW* = Adapter width
 AD* = Adapter length
 Both will vary depending on motor.
 Efficiency is calculated at 100% of the rated torque.

Performance Specifications

Part Number	Ratio ¹	10,000 Hour Life			T peak Nm [in-lb]	20,000 Hour Life			J kg-cm ² [in-lb-sec ² x10 ⁻⁴]	Torsional Stiffness Nm/arc-min [in-lb/arc-min]
		T _r (1000 rpm) Nm [in-lb]	T _r (3000 rpm) Nm [in-lb]	T _r (5000 rpm) Nm [in-lb]		T _r (1000 rpm) Nm [in-lb]	T _r (3000 rpm) Nm [in-lb]	T _r (5000 rpm) Nm [in-lb]		
DTR90D-001	1:1	21 [188]	19 [171]	17 [155]	140 [1237]	20 [173]	18 [158]	16 [143]	3,11 [27.5]	4,3 [37.9]
DTR90D-002	2:1	48 [426]	44 [389]	40 [352]	140 [1237]	44 [394]	41 [359]	37 [325]	1,59 [14.1]	6,5 [57.2]
DTR90D-003	3:1	32 [281]	29 [256]	26 [232]	140 [1237]	29 [260]	27 [237]	24 [214]	1,37 [12.1]	7,3 [64.6]
DTR90D-004	4:1	24 [215]	22 [196]	20 [177]	140 [1237]	22 [199]	20 [181]	19 [164]	1,27 [11.2]	7,6 [67.7]
DTR90D-005P	5:1P	18 [158]	16 [144]	15 [131]	140 [1237]	17 [146]	15 [133]	14 [121]	1,25 [11.0]	7,8 [69.2]
DTR90D-005T	5:1T	64 [568]	55 [483]	53 [469]	140 [1237]	63 [556]	50 [446]	49 [433]	1,64 [14.5]	5,1 [45.1]
DTR90D-006	6:1	57 [501]	48 [426]	47 [414]	140 [1237]	55 [490]	44 [394]	43 [382]	1,63 [14.4]	5,1 [45.1]
DTR90D-009	9:1	37 [331]	32 [281]	31 [273]	140 [1237]	37 [323]	29 [260]	28 [252]	1,37 [12.1]	6,4 [56.9]
DTR90D-010	10:1	58 [516]	53 [471]	48 [426]	140 [1237]	58 [510]	51 [452]	44 [394]	1,54 [13.7]	5,0 [44.5]
DTR90D-012	12:1	29 [253]	24 [215]	24 [209]	140 [1237]	28 [247]	22 [199]	22 [193]	1,31 [11.6]	7,1 [62.7]
DTR90D-015	15:1	38 [340]	35 [311]	32 [281]	140 [1237]	38 [336]	34 [298]	29 [260]	1,28 [11.3]	7,4 [65.8]
DTR90D-020	20:1	29 [261]	27 [238]	24 [215]	140 [1237]	29 [257]	26 [228]	22 [199]	1,22 [10.8]	7,1 [62.4]
DTR90D-025	25:1	22 [192]	20 [175]	18 [158]	140 [1237]	21 [189]	19 [168]	17 [146]	1,20 [10.6]	7,4 [65.6]
DTR90D-030	30:1	39 [348]	38 [333]	36 [318]	140 [1237]	39 [346]	37 [327]	35 [307]	1,25 [11.1]	6,1 [53.8]
DTR90D-040	40:1	30 [266]	29 [255]	28 [243]	140 [1237]	30 [265]	28 [250]	27 [235]	1,19 [10.6]	6,8 [60.5]
DTR90D-050	50:1	22 [196]	21 [188]	20 [179]	140 [1237]	22 [195]	21 [184]	20 [173]	1,17 [10.4]	7,3 [64.2]
DTR90D-060	60:1	60 [535]	60 [527]	59 [520]	140 [1237]	60 [534]	59 [524]	58 [514]	1,63 [14.4]	4,9 [43.5]
DTR90D-075	75:1	40 [352]	39 [346]	38 [340]	140 [1237]	40 [351]	39 [344]	38 [336]	1,31 [11.6]	6,4 [56.2]
DTR90D-090	90:1	40 [353]	39 [348]	39 [343]	140 [1237]	40 [352]	39 [346]	38 [339]	1,37 [12.1]	6,3 [55.8]
DTR90D-100	100:1	61 [536]	60 [532]	60 [527]	140 [1237]	61 [536]	60 [530]	59 [524]	1,55 [13.7]	5,0 [43.9]
DTR90D-120	120:1	31 [270]	30 [266]	30 [262]	140 [1237]	30 [269]	30 [265]	29 [260]	1,31 [11.6]	7,0 [62.0]
DTR90D-125	125:1	22 [198]	22 [195]	22 [192]	140 [1237]	22 [198]	22 [194]	21 [189]	1,23 [10.8]	7,4 [65.5]
DTR90D-150	150:1	40 [354]	40 [351]	39 [348]	140 [1237]	40 [353]	39 [350]	39 [346]	1,29 [11.4]	6,3 [56.1]
DTR90D-200	200:1	61 [538]	60 [535]	60 [533]	140 [1237]	61 [537]	60 [534]	60 [531]	1,52 [13.5]	4,6 [40.7]
DTR90D-250	250:1	23 [199]	22 [198]	22 [196]	140 [1237]	22 [199]	22 [197]	22 [195]	1,21 [10.7]	7,4 [65.4]
DTR90D-300	300:1	40 [355]	40 [353]	40 [352]	140 [1237]	40 [354]	40 [352]	40 [350]	1,26 [11.1]	6,1 [53.7]
DTR90D-400	400:1	31 [271]	31 [270]	30 [269]	140 [1237]	31 [271]	30 [270]	30 [268]	1,20 [10.6]	6,8 [60.5]
DTR90D-500	500:1	23 [200]	22 [199]	22 [198]	140 [1237]	23 [200]	22 [198]	22 [197]	1,18 [10.4]	7,3 [64.2]

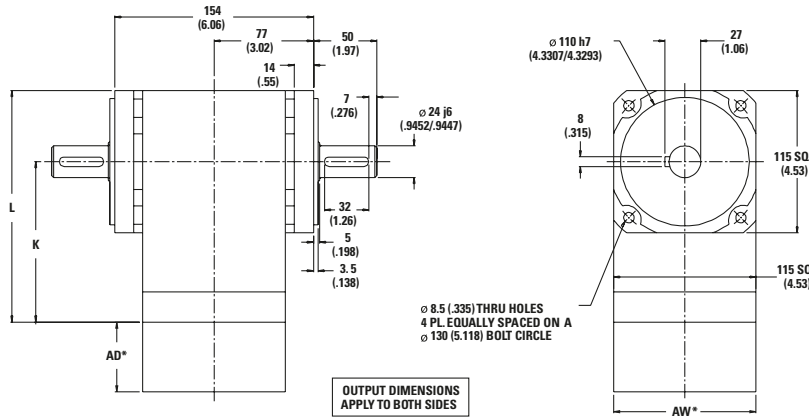
Ratio 5P is designed using only PowerTRUE face gearing technology.
 Ratio 5T adds a True Planetary gearing stage for increased torque capacity.
¹ Ratios are exact, higher ratios are also available, consult factory.

T_r = Rated output torque at rated speed for specific hours of life.
 J = Mass moment of inertia reflected to the input shaft (including pinion assembly)
 T_{peak} = Allowable momentary peak torque for emergency stop or heavy shock loading.

DuraTRUE 90™ Size 115D (Dual Shaft)

Right Angle Gearheads

Metric



Ratio ¹	Dimension 'K' mm [in]	Dimension 'L' mm [in]	Backlash [arc-min]	Weight kg [lb]	Efficiency
1:1 to 5:1P	137 (5.41)	195 (7.76)	8 max	9 [20]	98%
5:1T to 50:1	169 (6.64)	226 (8.90)	9 max	11 [24]	93%
60:1 to 500:1	200 (7.87)	257 (10.13)	9 max	12 [27]	88%

All dimensions are: mm (inch)
 AW* = Adapter width
 AD* = Adapter length
 Both will vary depending on motor.
 Efficiency is calculated at 100% of the rated torque.

Performance Specifications

Part Number	Ratio ¹	10,000 Hour Life			T peak Nm [in-lb]	20,000 Hour Life			J kg-cm ² [in-lb-sec ² x10 ⁻⁴]	Torsional Stiffness [arc-min/Nm]
		T _r (1000 rpm) Nm [in-lb]	T _r (3000 rpm) Nm [in-lb]	T _r (5000 rpm) Nm [in-lb]		T _r (1000 rpm) Nm [in-lb]	T _r (3000 rpm) Nm [in-lb]	T _r (5000 rpm) Nm [in-lb]		
DTR115D-001	1:1	63 [554]	57 [506]	52 [457]	283 [2505]	58 [512]	53 [467]	48 [422]	5,28 [46.7]	7,6 [67.6]
DTR115D-002	2:1	112 [989]	102 [903]	92 [816]	283 [2505]	103 [913]	94 [834]	85 [754]	2,71 [23.9]	12,5 [111]
DTR115D-003	3:1	87 [768]	79 [701]	72 [634]	283 [2505]	80 [709]	73 [647]	66 [585]	2,33 [20.6]	14,2 [126]
DTR115D-004	4:1	58 [511]	53 [467]	48 [422]	283 [2505]	53 [472]	49 [431]	44 [390]	2,16 [19.1]	14,9 [132]
DTR115D-005P	5:1P	43 [384]	40 [350]	36 [316]	283 [2505]	40 [354]	37 [323]	33 [292]	2,12 [18.8]	15,3 [135]
DTR115D-005T	5:1T	170 [1505]	126 [1117]	108 [958]	283 [2505]	143 [1262]	102 [907]	88 [778]	2,78 [24.6]	15,3 [135]
DTR115D-006	6:1	131 [1163]	112 [989]	109 [960]	283 [2505]	129 [1138]	103 [913]	100 [887]	2,77 [24.5]	10,2 [90.7]
DTR115D-009	9:1	102 [903]	87 [768]	84 [746]	283 [2505]	100 [884]	80 [709]	78 [689]	2,32 [20.5]	12,8 [113]
DTR115D-010	10:1	135 [1198]	124 [1094]	112 [989]	283 [2505]	134 [1183]	118 [1048]	103 [913]	2,63 [23.2]	10,2 [90.3]
DTR115D-012	12:1	68 [601]	58 [511]	56 [496]	283 [2505]	66 [588]	53 [472]	52 [458]	2,22 [19.6]	14,0 [124]
DTR115D-015	15:1	105 [930]	96 [849]	87 [768]	283 [2505]	104 [919]	92 [814]	80 [709]	2,18 [19.3]	14,6 [130]
DTR115D-020	20:1	70 [619]	64 [565]	58 [511]	283 [2505]	69 [612]	61 [542]	53 [472]	2,08 [18.4]	14,0 [124]
DTR115D-025	25:1	52 [465]	48 [424]	43 [384]	283 [2505]	52 [459]	46 [406]	40 [354]	2,04 [18.0]	14,6 [129]
DTR115D-030	30:1	107 [951]	103 [910]	98 [869]	283 [2505]	107 [945]	101 [892]	95 [840]	2,13 [18.9]	12,5 [111]
DTR115D-040	40:1	72 [633]	68 [606]	65 [579]	283 [2505]	71 [629]	67 [594]	63 [559]	2,03 [18.0]	13,8 [122]
DTR115D-050	50:1	54 [475]	51 [454]	49 [434]	283 [2505]	53 [472]	50 [446]	47 [419]	1,99 [17.6]	14,5 [128]
DTR115D-060	60:1	140 [1242]	138 [1224]	136 [1207]	283 [2505]	140 [1239]	137 [1217]	135 [1194]	2,78 [24.6]	10,0 [88.5]
DTR115D-075	75:1	109 [963]	107 [947]	105 [930]	283 [2505]	109 [960]	106 [939]	104 [919]	[2,22 19.7]	12,7 [112]
DTR115D-090	90:1	109 [964]	107 [951]	106 [937]	283 [2505]	109 [962]	107 [945]	105 [927]	2,33 [20.6]	12,6 [112]
DTR115D-100	100:1	141 [1245]	140 [1235]	138 [1224]	283 [2505]	141 [1244]	139 [1230]	137 [1217]	2,64 [23.3]	10,1 [89.5]
DTR115D-120	120:1	73 [642]	72 [633]	70 [624]	283 [2505]	72 [641]	71 [629]	70 [617]	2,23 [19.7]	13,9 [123]
DTR115D-125	125:1	54 [481]	53 [473]	52 [465]	283 [2505]	54 [480]	53 [469]	52 [459]	2,08 [18.4]	14,6 [129]
DTR115D-150	150:1	109 [967]	108 [959]	107 [951]	283 [2505]	109 [966]	108 [955]	107 [945]	2,19 [19.4]	12,7 [112]
DTR115D-200	200:1	141 [1248]	140 [1243]	140 [1237]	283 [2505]	141 [1247]	140 [1240]	139 [1234]	2,59 [22.9]	9,8 [87.1]
DTR115D-250	250:1	55 [483]	54 [479]	54 [475]	283 [2505]	54 [482]	54 [477]	53 [472]	2,05 [18.1]	14,6 [129]
DTR115D-300	300:1	109 [969]	109 [965]	109 [961]	283 [2505]	109 [968]	109 [963]	108 [958]	2,14 [18.9]	12,5 [111]
DTR115D-400	400:1	73 [645]	73 [642]	73 [640]	283 [2505]	73 [645]	72 [641]	72 [638]	2,04 [18.1]	13,8 [122]
DTR115D-500	500:1	55 [484]	54 [482]	54 [480]	283 [2505]	55 [483]	54 [481]	54 [478]	2,00 [17.7]	14,5 [128]

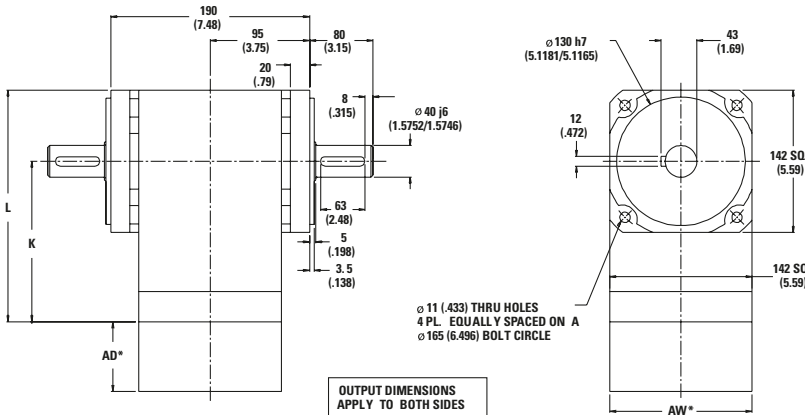
Ratio 5P is designed using only PowerTRUE face gearing technology.
 Ratio 5T adds a True Planetary gearing stage for increased torque capacity.
¹ Ratios are exact, higher ratios are also available, consult factory.

T_r = Rated output torque at rated speed for specific hours of life.
 J = Mass moment of inertia reflected to the input shaft (including pinion assembly)
 Tpeak = Allowable momentary peak torque for emergency stop or heavy shock loading.

DuraTRUE 90™ Size 142D (Dual Shaft)

Right Angle Gearheads

Metric



Ratio ¹	Dimension 'K' mm [in]	Dimension 'L' mm [in]	Backlash [arc-min]	Weight kg [lb]	Efficiency
1:1 to 5:1P	163 [6.43]	234 [9.22]	8 max	19 [43]	98%
5:1T to 50:1	233 [9.17]	304 [11.96]	9 max	24 [53]	93%
60:1 to 500:1	262 [10.3]	332 [13.10]	9 max	28 [62]	88%

All dimensions are: mm (inch)
 AW* = Adapter width
 AD* = Adapter length
 Both will vary depending on motor.
 Efficiency is calculated at 100% of the rated torque.

Performance Specifications

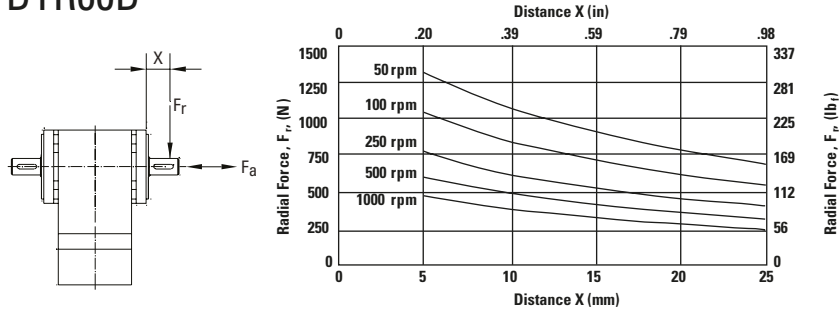
Part Number	Ratio ¹	10,000 Hour Life				T peak Nm [in-lb]	20,000 Hour Life			J kg-cm ² [in-lb-sec ² x10 ⁻⁴]	Torsional Stiffness Nm/arc-min [in-lb/arc-min]
		T _r (1000 rpm) Nm [in-lb]	T _r (3000 rpm) Nm [in-lb]	T _r (5000 rpm) Nm [in-lb]	T _r (1000 rpm) Nm [in-lb]		T _r (3000 rpm) Nm [in-lb]	T _r (5000 rpm) Nm [in-lb]			
DTR142D-001	1:1	135 [1194]	123 [1090]	111 [985]	865 [7659]	125 [1103]	114 [1006]	103 [910]	26,3 [232]	23,7 [210]	
DTR142D-002	2:1	279 [2474]	255 [2257]	231 [2041]	865 [7659]	258 [2284]	236 [2084]	213 [1885]	13,5 [119]	38,9 [344]	
DTR142D-003	3:1	188 [1663]	171 [1518]	155 [1372]	865 [7659]	174 [1536]	158 [1401]	143 [1267]	11,6 [102]	44,1 [390]	
DTR142D-004	4:1	135 [1194]	123 [1090]	111 [985]	865 [7659]	125 [1103]	114 [1006]	103 [910]	10,8 [95.1]	46,3 [410]	
DTR142D-005P	5:1P	101 [896]	92 [818]	84 [739]	865 [7659]	93 [827]	85 [755]	77 [683]	10,6 [93.3]	47,4 [419]	
DTR142D-005T	5:1T	340 [3009]	289 [2559]	281 [2484]	865 [7659]	333 [2944]	267 [2363]	259 [2294]	13,8 [122]	47,4 [419]	
DTR142D-006	6:1	329 [2909]	279 [2474]	271 [2402]	865 [7659]	322 [2846]	258 [2284]	251 [2218]	13,8 [122]	31,8 [281]	
DTR142D-009	9:1	221 [1956]	188 [1663]	182 [1614]	865 [7659]	216 [1913]	174 [1536]	168 [1491]	11,6 [102]	39,6 [351]	
DTR142D-010	10:1	339 [2996]	309 [2735]	279 [2474]	865 [7659]	334 [2958]	296 [2621]	258 [2284]	13,1 [116]	31,6 [280]	
DTR142D-012	12:1	159 [1404]	135 [1194]	131 [1159]	865 [7659]	155 [1374]	125 [1103]	121 [1071]	11,1 [97.7]	43,4 [384]	
DTR142D-015	15:1	228 [2014]	208 [1839]	188 [1663]	865 [7659]	225 [1989]	199 [1762]	174 [1536]	10,9 [95.9]	45,4 [402]	
DTR142D-020	20:1	163 [1446]	149 [1320]	135 [1194]	865 [7659]	161 [1428]	143 [1265]	125 [1103]	10,4 [91.5]	43,3 [383]	
DTR142D-025	25:1	123 [1085]	112 [991]	101 [896]	865 [7659]	121 [1071]	107 [949]	93 [827]	10,2 [89.8]	45,3 [401]	
DTR142D-030	30:1	233 [2058]	223 [1970]	213 [1882]	865 [7659]	231 [2045]	218 [1932]	205 [1819]	10,6 [93.8]	38,8 [343]	
DTR142D-040	40:1	167 [1478]	160 [1415]	153 [1352]	865 [7659]	166 [1469]	157 [1387]	148 [1306]	10,1 [89.4]	42,8 [379]	
DTR142D-050	50:1	125 [1109]	120 [1061]	115 [1014]	865 [7659]	125 [1102]	118 [1041]	111 [980]	9,91 [87.6]	45,0 [398]	
DTR142D-060	60:1	351 [3105]	346 [3061]	341 [3018]	865 [7659]	350 [3099]	344 [3042]	337 [2986]	13,8 [122]	31,0 [274]	
DTR142D-075	75:1	236 [2084]	232 [2049]	228 [2014]	865 [7659]	235 [2079]	230 [2034]	225 [1989]	11,1 [97.9]	39,4 [348]	
DTR142D-090	90:1	236 [2087]	233 [2058]	229 [2029]	865 [7659]	235 [2083]	231 [2045]	227 [2008]	11,6 [103]	39,1 [346]	
DTR142D-100	100:1	352 [3114]	349 [3088]	346 [3061]	865 [7659]	351 [3110]	348 [3076]	344 [3042]	13,1 [116]	31,3 [278]	
DTR142D-120	120:1	169 [1499]	167 [1478]	165 [1457]	865 [7659]	169 [1496]	166 [1469]	163 [1442]	11,1 [98.2]	43,0 [380]	
DTR142D-125	125:1	127 [1123]	125 [1104]	123 [1085]	865 [7659]	127 [1120]	124 [1096]	121 [1071]	10,4 [91.7]	45,3 [401]	
DTR142D-150	150:1	237 [2093]	235 [2076]	233 [2058]	865 [7659]	236 [2091]	234 [2068]	231 [2045]	10,9 [96.4]	39,3 [348]	
DTR142D-200	200:1	353 [3120]	351 [3107]	350 [3094]	865 [7659]	352 [3118]	350 [3101]	349 [3085]	12,9 [114]	30,5 [270]	
DTR142D-250	250:1	127 [1128]	126 [1118]	125 [1109]	865 [7659]	127 [1126]	126 [1114]	125 [1102]	10,2 [90.3]	45,2 [400]	
DTR142D-300	300:1	237 [2098]	236 [2089]	235 [2080]	865 [7659]	237 [2096]	236 [2085]	234 [2074]	10,7 [94.3]	38,8 [343]	
DTR142D-400	400:1	170 [1506]	169 [1500]	169 [1494]	865 [7659]	170 [1505]	169 [1497]	168 [1489]	10,2 [89.8]	42,8 [379]	
DTR142D-500	500:1	128 [1130]	127 [1125]	127 [1121]	865 [7659]	128 [1129]	127 [1123]	126 [1117]	9,96 [88.1]	45,0 [398]	

Ratio 5P is designed using only PowerTRUE face gearing technology.
 Ratio 5T adds a True Planetary gearing stage for increased torque capacity.
¹ Ratios are exact, higher ratios are also available, consult factory.

T_r = Rated output torque at rated speed for specific hours of life.
 J = Mass moment of inertia reflected to the input shaft (including pinion assembly)
 T_{peak} = Allowable momentary peak torque for emergency stop or heavy shock loading.

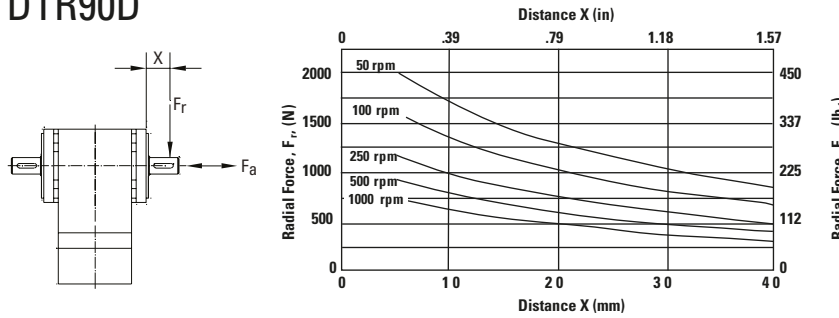
Radial and Axial Load Ratings

DTR60D



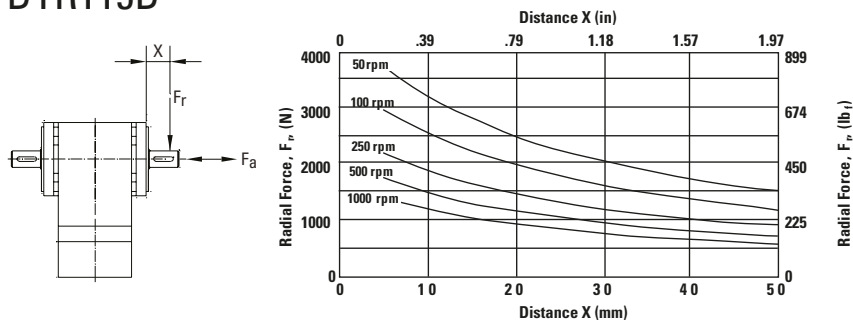
Speed rpm	Axial Load, F_a N [lb _r]
50	2155 [484]
100	1710 [384]
250	1260 [283]
500	1000 [225]
1000	794 [178]

DTR90D



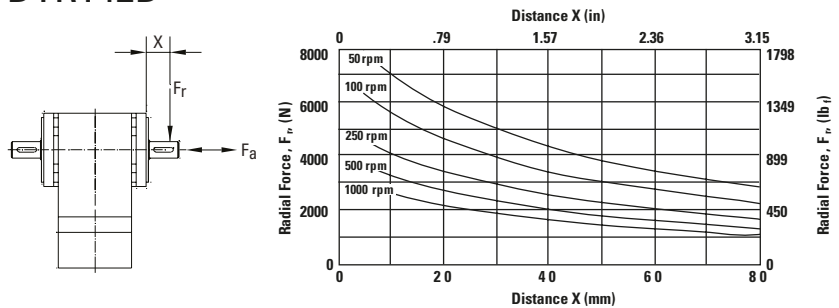
Speed rpm	Axial Load, F_a N [lb _r]
50	3157 [710]
100	2506 [563]
250	1846 [415]
500	1465 [329]
1000	1163 [261]

DTR115D



Speed rpm	Axial Load, F_a N [lb _r]
50	5742 [1291]
100	4558 [1025]
250	3358 [755]
500	2665 [599]
1000	2115 [476]

DTR142D



Speed rpm	Axial Load, F_a N [lb _r]
50	11925 [2681]
100	9465 [2128]
250	6974 [1568]
500	5535 [1244]
1000	4393 [988]

These graphs display the allowable radial load at a given distance (X) from the mounting surface based on an L_{10} life of 10,000 hours for the mean output speed n_{mount} , as described on page 9.

ValueTRUE™

True™ Planetary Gearheads

Ready for Immediate Delivery

Precision	4 arc-minutes
Frame Sizes	60mm, 75mm, 90mm, 100mm, 115mm, 140mm, 180mm and 220mm
Torque Capacity	up to 2970 Nm
Ratio Availability	4:1 thru 100:1
Mounting System	RediMount™

Both in-line and right angles available

- ValueTRUE is a new high-performance, price-competitive line of Micron True Planetary Gearheads
- Low cost– 30% less than typical market pricing
- Helical Crowned True Planetary Gearing improved load capacity, lower backlash and smoother and quieter operation compared to non-helical gearheads
- Ultra Precision – 4 arc-mins of backlash
- Drop-in, low-cost replacement for most common helical gearheads
- Stainless steel output housing provides rock-solid durability, suitable for environmentally sensitive applications



ValueTRUE™

Helical True™ Planetary Gearheads

Part Number	Stages	Backlash (arc-min)	Efficiency	Weight kg [lbs]	Ratio Availability
VT006	1	4	95%	2 [4.4]	4:1, 5:1, 7:1, 10:1
	2	5	90%	2.5 [5.5]	16:1, 20:1, 25:1, 28:1, 35:1, 40:1, 50:1, 70:1, 100:1
VT075	1	4	95%	2.5 [5.5]	4:1, 5:1, 7:1, 10:1
	2	5	90%	3.0 [6.6]	16:1, 20:1, 25:1, 28:1, 35:1, 40:1, 50:1, 70:1, 100:1
VT090	1	4	95%	2.5 [5.5]	4:1, 5:1, 7:1, 10:1
	2	5	90%	3.0 [6.6]	16:1, 20:1, 25:1, 28:1, 35:1, 40:1, 50:1, 70:1, 100:1
VT010	1	4	95%	6 [13]	4:1, 5:1, 7:1, 10:1
	2	5	90%	8 [18]	16:1, 20:1, 25:1, 28:1, 35:1, 40:1, 50:1, 70:1, 100:1
VT115	1	4	95%	6 [13]	4:1, 5:1, 7:1, 10:1
	2	5	90%	8 [18]	16:1, 20:1, 25:1, 28:1, 35:1, 40:1, 50:1, 70:1, 100:1
VT014	1	4	95%	14 [31]	4:1, 5:1, 7:1, 10:1
	2	5	90%	18 [40]	16:1, 20:1, 25:1, 28:1, 35:1, 40:1, 50:1, 70:1, 100:1
VT018	1	4	95%	40 [88]	4:1, 5:1, 7:1, 10:1
	2	5	90%	45 [99]	16:1, 20:1, 25:1, 28:1, 35:1, 40:1, 50:1, 70:1, 100:1
VT022	1	4	95%	74 [162]	4:1, 5:1, 7:1, 10:1
	2	5	90%	95 [209]	16:1, 20:1, 25:1, 28:1, 35:1, 40:1, 50:1, 70:1, 100:1
VTR006	1	5	93%	3 [6.6]	8:1, 10:1, 12:1, 14:1, 15:1, 16:1, 20:1, 25:1, 28:1, 30:1, 35:1, 40:1, 50:1
VTR075	1	5	93%	5.3 [11.1]	8:1, 10:1, 12:1, 14:1, 15:1, 16:1, 20:1, 25:1, 28:1, 30:1, 35:1, 40:1, 50:1
VTR090	1	5	93%	5.3 [11.1]	8:1, 10:1, 12:1, 14:1, 15:1, 16:1, 20:1, 25:1, 28:1, 30:1, 35:1, 40:1, 50:1
VTR010	1	5	93%	12 [26.2]	4:1, 5:1, 8:1, 10:1, 12:1, 14:1, 15:1, 16:1, 20:1, 25:1, 28:1, 30:1, 35:1, 40:1, 50:1
VTR115	1	5	93%	12 [26.2]	4:1, 5:1, 8:1, 10:1, 12:1, 14:1, 15:1, 16:1, 20:1, 25:1, 28:1, 30:1, 35:1, 40:1, 50:1
VTR014	1	5	93%	29 [64]	4:1, 5:1, 8:1, 10:1, 12:1, 14:1, 15:1, 16:1, 20:1, 25:1, 28:1, 30:1, 35:1, 40:1, 50:1
VTR018	1	5	93%	48 [106]	4:1, 5:1, 8:1, 10:1, 12:1, 14:1, 15:1, 16:1, 20:1, 25:1, 28:1, 30:1, 35:1, 40:1, 50:1

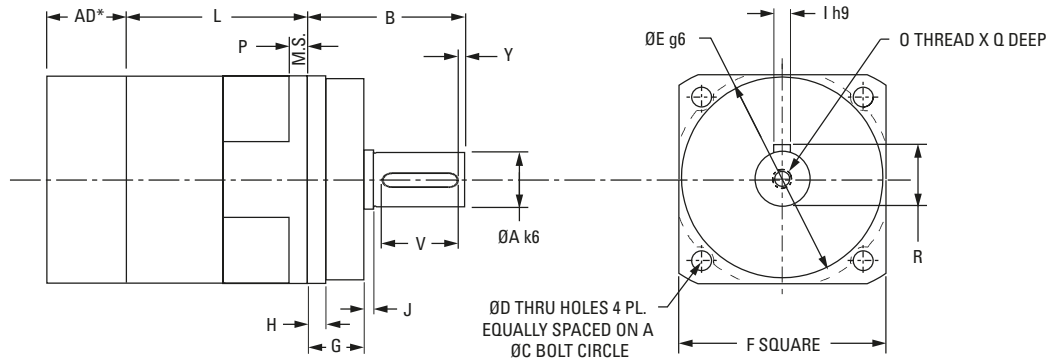
All ratios in frame size 60, 75, 100 and 140 are available to ship in 24 hours through the Gearhead Express Program.

- * Efficiency measured at 100% rated torque
- * Backlash is maximum for the life of the gearhead
- * For other ratios, please contact factory

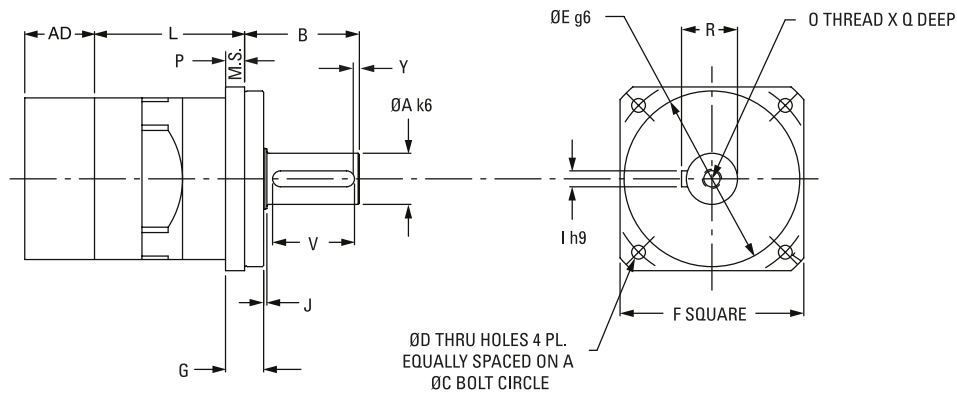
ValueTRUE™

Helical True™ Planetary Gearheads

VT006
VT075
VT010
VT014
VT018
VT022



VT090
VT115



Inline Dimensions

Part Number	F Flange Square mm [in]	A Output Shaft Diameter mm [in]	B Output Shaft Length mm [in]	Y Shaft End Distance mm [in]	V Keyway Length mm [in]	R Keyway Height mm [in]	I Key Square mm [in]	J Shoulder Length mm [in]	E Pilot Diameter mm [in]
VT006	61 [2.40]	16 [0.63]	48 [1.89]	1 [0.04]	25 [0.98]	18 [0.71]	5 [0.20]	1 [0.04]	60 [2.36]
VT075	75 [2.95]	22 [0.86]	56 [2.20]	1,5 [0.06]	32 [1.26]	24,5 [0.97]	6 [0.24]	1 [0.04]	70 [2.75]
VT090	90 [3.54]	22 [0.86]	48 [1.89]	1,5 [0.06]	32 [1.26]	24,5 [0.97]	6 [0.24]	1 [0.04]	80 [1.48]
VT010	101 [3.98]	32 [1.26]	88 [3.46]	3 [0.12]	50 [1.97]	35 [1.38]	10 [0.39]	2 [0.08]	90 [3.54]
VT115	115 [4.53]	32 [1.26]	72 [2.83]	3 [0.12]	50 [1.97]	35 [1.38]	10 [0.39]	2 [0.08]	110 [4.33]
VT014	141 [5.55]	40 [1.57]	112 [4.41]	5 [0.20]	70 [2.76]	43 [1.69]	12 [0.47]	3 [0.12]	130 [5.11]
VT018	182 [7.17]	55 [2.17]	112 [4.41]	6 [0.24]	70 [2.76]	59 [2.32]	16 [0.63]	3 [0.12]	160 [6.29]
VT022	220 [8.66]	75 [2.95]	143 [5.63]	7 [0.28]	90 [3.54]	79,5 [0.71]	20 [0.78]	3 [0.12]	180 [7.09]

Part Number	G Pilot Length mm [in]	P Flange Thickness mm [in]	H Effective Pilot Length mm [in]	L Length mm [in]		C Bolt Circle mm [in]	D Bolt Hole mm [in]	O Output Shaft Thread mm [in]	Q Thread Depth mm [in]
				4:1 - 10:1	16:1 - 100:1				
VT006	18 [0.71]	7 [0.28]	7 [0.28]	57 [2.24]	105,4 [4.15]	68 [2.68]	5,6 [0.22]	M5	19 [0.75]
VT075	20 [0.79]	8 [0.31]	7 [0.28]	60 [2.36]	117 [4.60]	85 [3.35]	7 [0.28]	M8	19 [0.75]
VT090	12 [0.47]	10 [0.39]	-	68 [2.67]	125 [4.92]	100 [3.94]	6,6 [0.26]	M8	19 [0.75]
VT010	28 [1.10]	10 [0.39]	12 [0.47]	78 [3.09]	146 [5.75]	120 [4.72]	9 [0.34]	M12	20 [0.80]
VT115	12 [0.47]	12 [0.47]	-	94 [3.72]	162 [6.38]	130 [5.118]	9 [0.34]	M12	20 [0.80]
VT014	27 [1.06]	13 [0.51]	14 [0.55]	110,5 [4.35]	195 [7.67]	165 [6.50]	11 [0.43]	M12	20 [0.80]
VT018	27 [1.06]	15 [0.59]	13 [0.51]	136 [5.35]	242 [9.54]	215 [8.46]	13,5 [0.53]	M20	42 [1.65]
VT022	35 [1.38]	17 [0.67]	18 [0.71]	143 [5.62]	244 [9.59]	250 [9.84]	17 [0.67]	M20	42 [1.65]

All ratios in frame size 60, 75, 100 and 140 are available to ship in 24 hours through the Gearhead Express Program.

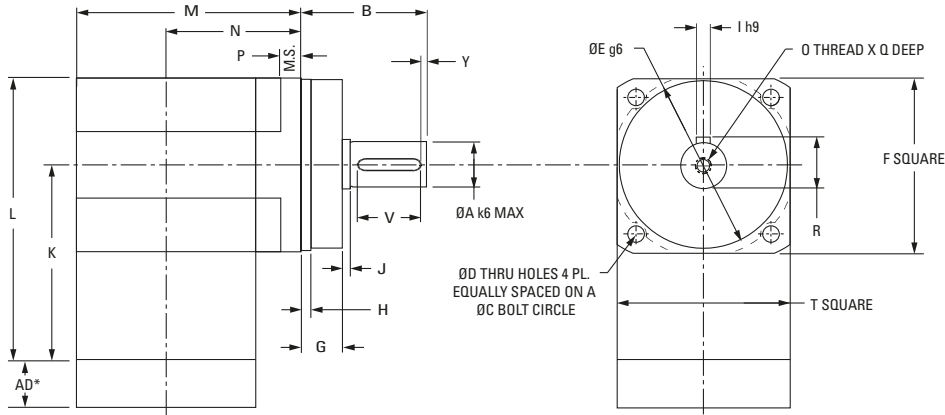
¹ Ratios are exact, higher ratios are also available, consult factory.
T_r = Rated output torque at rated speed for specific hours of life.

T_{peak} = Allowable momentary peak torque for emergency stop or heavy shock loading.
J = Mass moment of inertia reflected to the input shaft (including pinion assembly).

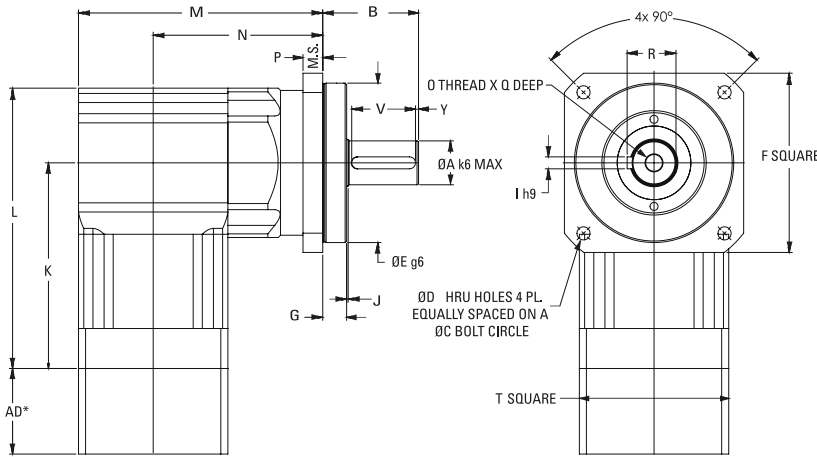
ValueTRUE 90™

Helical Right Angle Gearheads

VTR006
VTR075
VTR010
VTR014
VTR018



VTR090
VTR115



Right Angle Dimensions

Part Number	F	A	B	Y	V	R	I	J	O	Q	E	G
	Output Flange Square mm [in]	Output Shaft Diameter mm [in]	Output Shaft Length mm [in]	Shaft End Distance mm [in]	Keyway Length mm [in]	Keyway Height mm [in]	Key Square mm [in]	Shoulder Length mm [in]	Output Shaft Thread mm [in]	Thread Depth mm [in]	Pilot Diameter mm [in]	Pilot Length mm [in]
VTR006	61 [2.40]	16 [0.63]	48 [1.89]	1 [0.04]	25 [0.98]	18 [0.71]	5 [0.20]	1 [0.04]	M5	19 [0.75]	60 [2.36]	18 [0.71]
VTR075	75 [2.95]	22 [0.86]	56 [2.20]	1,5 [0.06]	32 [1.26]	24,5 [0.97]	6 [0.24]	1 [0.04]	M8	19 [0.75]	70 [2.75]	20 [0.79]
VTR090	90 [3.54]	22 [0.86]	48 [1.89]	1,5 [0.06]	32 [1.26]	24,5 [0.97]	6 [0.24]	1 [0.04]	M8	19 [0.75]	80 [1.48]	12 [0.47]
VTR010	101 [3.98]	32 [1.26]	88 [3.46]	3 [0.12]	50 [1.97]	35 [1.38]	10 [0.39]	2 [0.08]	M12	20 [0.80]	90 [3.54]	28 [1.10]
VTR115	115 [4.53]	32 [1.26]	72 [2.83]	3 [0.12]	50 [1.97]	35 [1.38]	10 [0.39]	2 [0.08]	M12	20 [0.80]	110 [4.33]	24 [0.94]
VTR014	141 [5.55]	40 [1.57]	112 [4.41]	5 [0.20]	70 [2.76]	43 [1.69]	12 [0.47]	3 [0.12]	M12	20 [0.80]	130 [5.11]	27 [1.06]
VTR018	182 [7.17]	55 [2.17]	112 [4.41]	6 [0.24]	70 [2.76]	59 [2.32]	16 [0.63]	3 [0.12]	M20	42 [1.65]	160 [6.29]	27 [1.06]

Part Number	P	H	L	K	C	D	M		N		T
	Flange Thickness mm [in]	Effective Pilot Length mm [in]	Length mm [in]	Distance to Output CL mm [in]	Bolt Circle mm [in]	Bolt Hole mm [in]	Housing Width mm [in]		Distance to Input CL mm [in]		Input Flange Square mm [in]
							All other ratios	4:1 & 5:1 only	All other ratios	4:1 & 5:1 only	
VTR006	7 [0.28]	7 [0.28]	109,5 [4.31]	79 [3.11]	68 [2.68]	5,6 [0.22]	95 [3.75]	95 [3.75]	65 [2.55]	65 [2.55]	61 [2.40]
VTR075	8 [0.31]	7 [0.28]	141 [5.55]	103 [4.05]	85 [3.35]	7 [0.28]	114,5 [4.51]	114,5 [4.51]	77 [3.04]	77 [3.04]	75 [2.95]
VTR090	10 [0.39]	-	141 [5.55]	103 [4.05]	100 [3.94]	6,6 [0.26]	122,5 [4.82]	122,5 [4.82]	85 [3.35]	85 [3.35]	75 [2.95]
VTR010	10 [0.39]	12 [0.47]	193 [7.60]	142,5 [5.61]	120 [4.72]	9 [0.34]	149 [5.88]	157 [6.19]	99 [3.89]	107 [4.20]	101 [3.98]
VTR115	12 [0.47]	-	193 [7.60]	142,5 [5.61]	130 [5.118]	9 [0.34]	165 [6.51]	173 [6.82]	114,8 [4.52]	123 [4.83]	101 [3.98]
VTR014	13 [0.51]	14 [0.55]	231 [9.09]	160 [6.23]	165 [6.50]	11 [0.43]	222 [8.74]	222 [8.74]	151 [5.95]	151 [5.95]	142 [5.59]
VTR018	15 [0.59]	13 [0.51]	319 [12.60]	228 [8.97]	215 [8.46]	13,5 [0.53]	273 [10.76]	301 [11.83]	182 [7.18]	210 [8.25]	182 [7.17]

ValueTRUE™ Helical True Planetary Gearheads

Inline Torque: VT006 - VT010

Performance Specifications

Part Number	Ratio	20000 Hour Life			T _{peak} Nm [in-lb]	J kg-cm ² [in-lb-sec ² x10 ⁻⁴]	Torsional Stiffness Nm/arc-min [in-lb/arc-min]	
		T _r (1000 rpm) Nm [in-lb]	T _r (3000 rpm) Nm [in-lb]	T _r (5000 rpm) Nm [in-lb]				
VT006	VT006-004	4:1	42 [375]	32 [290]	28 [248]	91 [802]	0.20 [1.80]	2.36 [20.9]
	VT006-005	5:1	41 [364]	34 [302]	30 [259]	88 [779]	0.13 [1.16]	2.30 [20.4]
	VT006-007	7:1	40 [347]	36 [319]	32 [276]	84 [743]	0.11 [0.96]	2.18 [19.4]
	VT006-010	10:1	22 [194]	19 [167]	17 [156]	79 [703]	0.10 [0.85]	1.74 [15.4]
	VT006-016	16:1	47 [410]	43 [383]	41 [369]	99 [878]	0.16 [1.44]	2.40 [21.3]
	VT006-020	20:1	47 [416]	44 [42]	42 [375]	100 [887]	0.16 [1.44]	2.36 [20.9]
	VT006-025	25:1	45 [401]	42 [376]	41 [364]	96 [853]	0.16 [1.44]	2.32 [20.5]
	VT006-028	28:1	48 [423]	45 [398]	43 [384]	102 [899]	0.16 [1.44]	2.21 [19.6]
	VT006-035	35:1	46 [408]	43 [384]	42 [127]	97 [864]	0.10 [0.85]	2.29 [20.3]
	VT006-040	40:1	49 [430]	46 [406]	44 [394]	103 [910]	0.10 [0.85]	2.40 [21.3]
	VT006-050	50:1	47 [415]	44 [392]	43 [381]	99 [874]	0.10 [0.85]	2.36 [20.9]
	VT006-070	70:1	44 [662]	42 [373]	41 [362]	93 [822]	0.10 [0.85]	2.21 [19.6]
	VT006-100	100:1	29 [256]	25 [224]	23 [211]	86 [766]	0.10 [0.85]	1.83 [16.1]
	VT075	VT075-004	4:1	76 [671]	67 [587]	57 [503]	161 [1423]	0.46 [4.10]
VT075-005		5:1	74 [651]	67 [591]	59 [525]	157 [1383]	0.38 [3.40]	6.17 [54.6]
VT075-007		7:1	70 [621]	64 [569]	61 [541]	149 [1322]	0.31 [2.80]	5.46 [48.3]
VT075-010		10:1	40 [348]	34 [300]	32 [279]	141 [1254]	0.27 [2.40]	4.01 [35.6]
VT075-016		16:1	84 [738]	77 [686]	75 [659]	177 [1569]	0.31 [2.80]	6.62 [58.6]
VT075-020		20:1	85 [747]	79 [698]	76 [671]	179 [1586]	0.31 [2.80]	6.48 [57.3]
VT075-025		25:1	82 [721]	77 [675]	74 [651]	173 [1528]	0.31 [2.80]	6.36 [56.3]
VT075-028		28:1	86 [761]	81 [714]	77 [689]	182 [1610]	0.28 [2.50]	5.81 [51.4]
VT075-035		35:1	83 [734]	78 [690]	76 [667]	175 [1549]	0.16 [1.40]	6.01 [53.2]
VT075-040		40:1	87 [775]	83 [730]	80 [707]	185 [1632]	0.16 [1.40]	6.63 [58.7]
VT075-050		50:1	85 [747]	80 [706]	77 [683]	177 [1569]	0.16 [1.40]	6.50 [57.5]
VT075-070		70:1	80 [706]	76 [669]	74 [650]	167 [1475]	0.16 [1.40]	5.83 [51.6]
VT075-100		100:1	52 [462]	46 [405]	43 [380]	156 [1376]	0.15 [1.30]	4.05 [35.8]
VT090		VT090-004	4:1	76 [671]	67 [587]	57 [503]	161 [1423]	0.46 [4.10]
	VT090-005	5:1	74 [651]	67 [591]	59 [525]	157 [1383]	0.38 [3.40]	6.17 [54.6]
	VT090-007	7:1	70 [621]	64 [569]	61 [541]	149 [1322]	0.31 [2.80]	5.46 [48.3]
	VT090-010	10:1	40 [348]	34 [300]	32 [279]	141 [1254]	0.27 [2.40]	4.01 [35.6]
	VT090-016	16:1	84 [738]	77 [686]	75 [659]	177 [1569]	0.31 [2.80]	6.62 [58.6]
	VT090-020	20:1	85 [747]	79 [698]	76 [671]	179 [1586]	0.31 [2.80]	6.48 [57.3]
	VT090-025	25:1	82 [721]	77 [675]	74 [651]	173 [1528]	0.31 [2.80]	6.36 [56.3]
	VT090-028	28:1	86 [761]	81 [714]	77 [689]	182 [1610]	0.28 [2.50]	5.81 [51.4]
	VT090-035	35:1	83 [734]	78 [690]	76 [667]	175 [1549]	0.16 [1.40]	6.01 [53.2]
	VT090-040	40:1	87 [775]	83 [730]	80 [707]	185 [1632]	0.16 [1.40]	6.63 [58.7]
	VT090-050	50:1	85 [747]	80 [706]	77 [683]	177 [1569]	0.16 [1.40]	6.50 [57.5]
	VT090-070	70:1	80 [706]	76 [669]	74 [650]	167 [1475]	0.16 [1.40]	5.83 [51.6]
	VT090-100	100:1	52 [462]	46 [405]	43 [380]	156 [1376]	0.15 [1.30]	4.05 [35.8]
	VT010	VT010-004	4:1	221 [1954]	158 [1405]	136 [1206]	463 [4093]	1.58 [14.00]
VT010-005		5:1	216 [1908]	166 [1465]	142 [1257]	451 [3991]	1.36 [12.00]	20.5 [182]
VT010-007		7:1	206 [1825]	176 [1562]	151 [1340]	433 [3830]	0.97 [8.60]	19.0 [168]
VT010-010		10:1	115 [1016]	99 [872]	92 [808]	411 [3640]	0.90 [8.00]	13.0 [115]
VT010-016		16:1	246 [2174]	227 [2010]	206 [1827]	518 [4577]	1.10 [9.70]	24.6 [218]
VT010-020		20:1	249 [2205]	231 [2046]	221 [1954]	524 [4637]	1.10 [9.70]	21.9 [194]
VT010-025		25:1	241 [2131]	224 [1985]	216 [1908]	506 [4477]	1.10 [9.70]	21.9 [194]
VT010-028		28:1	254 [2248]	237 [2098]	228 [2018]	533 [4718]	0.94 [8.30]	19.0 [168]
VT010-035		35:1	246 [2172]	230 [2033]	221 [1959]	514 [4549]	0.79 [7.00]	18.8 [167]
VT010-040		40:1	259 [2291]	243 [2149]	234 [2075]	542 [4794]	0.79 [7.00]	24.7 [219]
VT010-050		50:1	250 [2212]	235 [2081]	228 [2012]	521 [4615]	0.78 [6.90]	21.7 [192]
VT010-070		70:1	237 [2094]	223 [1977]	217 [1916]	491 [4349]	0.78 [6.90]	19.0 [168]
VT010-100		100:1	153 [1354]	134 [1185]	126 [1112]	459 [4059]	0.78 [6.90]	15.5 [137]

All ratios in frame size 60, 75, 100 and 140 are available to ship in 24 hours through the Gearhead Express Program.

ValueTRUE™ Helical True Planetary Gearheads

Inline Torque: VT115 - VT022

Performance Specifications

Part Number	Ratio	20000 Hour Life			T _{peak} Nm [in-lb]	J kg-cm ² [in-lb-sec ² x10 ⁻⁴]	Torsional Stiffness Nm/arc-min [in-lb/arc-min]	
		T _r (1000 rpm) Nm [in-lb]	T _r (3000 rpm) Nm [in-lb]	T _r (5000 rpm) Nm [in-lb]				
VT115	VT115-004	4:1	221 [1954]	158 [1405]	136 [1206]	463 [4093]	1.58 [14.00]	23.1 [204]
	VT115-005	5:1	216 [1908]	166 [1465]	142 [1257]	451 [3991]	1.36 [12.00]	20.5 [182]
	VT115-007	7:1	206 [1825]	176 [1562]	151 [1340]	433 [3830]	0.97 [8.60]	19.0 [168]
	VT115-010	10:1	115 [1016]	99 [872]	92 [808]	411 [3640]	0.90 [8.00]	13.0 [115]
	VT115-016	16:1	246 [2174]	227 [2010]	206 [1827]	518 [4577]	1.10 [9.70]	24.6 [218]
	VT115-020	20:1	249 [2205]	231 [2046]	221 [1954]	524 [4637]	1.10 [9.70]	21.9 [194]
	VT115-025	25:1	241 [2131]	224 [1985]	216 [1908]	506 [4477]	1.10 [9.70]	21.9 [194]
	VT115-028	28:1	254 [2248]	237 [2098]	228 [2018]	533 [4718]	0.94 [8.30]	19.0 [168]
	VT115-035	35:1	246 [2172]	230 [2033]	221 [1959]	514 [4549]	0.79 [7.00]	18.8 [167]
	VT115-040	40:1	259 [2291]	243 [2149]	234 [2075]	542 [4794]	0.79 [7.00]	24.7 [219]
VT115-050	50:1	250 [2212]	235 [2081]	228 [2012]	521 [4615]	0.78 [6.90]	21.7 [192]	
VT115-070	70:1	237 [2094]	223 [1977]	217 [1916]	491 [4349]	0.78 [6.90]	19.0 [168]	
VT115-100	100:1	153 [1354]	134 [1185]	126 [1112]	459 [4059]	0.78 [6.90]	15.5 [137]	
VT014	VT014-004	4:1	518 [4583]	387 [3427]	332 [2940]	1066 [9431]	6.51 [57.60]	49.5 [438]
	VT014-005	5:1	504 [4459]	403 [3571]	347 [3064]	1040 [9206]	5.02 [44.40]	45.9 [407]
	VT014-007	7:1	483 [4274]	430 [3809]	369 [3268]	1002 [8866]	3.80 [33.60]	42.3 [378]
	VT014-010	10:1	275 [2426]	235 [2075]	217 [1919]	956 [8459]	3.39 [30.00]	31.5 [280]
	VT014-016	16:1	579 [5119]	532 [4704]	503 [4456]	1206 [10674]	4.21 [37.20]	52.2 [463]
	VT014-020	20:1	587 [5195]	542 [4795]	518 [4583]	1224 [10832]	4.07 [36.00]	48.6 [431]
	VT014-025	25:1	567 [5021]	526 [4654]	504 [4459]	1183 [10463]	4.07 [36.00]	48.6 [431]
	VT014-028	28:1	599 [5303]	556 [4926]	534 [4725]	1248 [11047]	3.53 [31.20]	42.3 [375]
	VT014-035	35:1	579 [5122]	539 [4774]	518 [4589]	1204 [10653]	2.99 [26.40]	39.6 [352]
	VT014-040	40:1	612 [5413]	572 [5055]	550 [4867]	1271 [11248]	2.99 [26.40]	52.2 [461]
VT014-050	50:1	509 [5223]	553 [4893]	534 [4720]	1224 [10831]	2.85 [25.20]	48.6 [431]	
VT014-070	70:1	559 [4949]	527 [4657]	509 [4504]	1155 [10223]	2.85 [25.20]	44.1 [392]	
VT014-100	100:1	367 [3246]	320 [2838]	301 [2659]	1081 [9564]	2.85 [25.20]	31.5 [281]	
VT018	VT018-004	4:1	1203 [10649]	866 [7658]	743 [6570]	2242 [21609]	25.90 [229.00]	137.7 [1222]
	VT018-005	5:1	1174 [10385]	902 [7981]	774 [6847]	2389 [21143]	20.00 [177.00]	135 [1197]
	VT018-007	7:1	1128 [9878]	962 [8512]	825 [7303]	2309 [20429]	14.60 [129.00]	120.6 [1067]
	VT018-010	10:1	645 [5710]	550 [4864]	507 [4486]	2210 [19561]	13.00 [115.00]	90.9 [804]
	VT018-016	16:1	1356 [12005]	1238 [10963]	1125 [9959]	2800 [24779]	16.10 [142.00]	144.9 [1286]
	VT018-020	20:1	1378 [12194]	1265 [11191]	1203 [10649]	2846 [25187]	15.60 [138.00]	140.4 [1244]
	VT018-025	25:1	1333 [11799]	1229 [10877]	1174 [10385]	2754 [24370]	15.60 [138.00]	117.9 [1044]
	VT018-028	28:1	1409 [12466]	1301 [11518]	1245 [11013]	2910 [25751]	13.50 [119.00]	124.2 [1103]
	VT018-035	35:1	1362 [120490]	1263 [11178]	1211 [10714]	2810 [24870]	11.40 [101.00]	111.6 [988]
	VT018-040	40:1	1439 [12739]	1338 [11846]	1285 [11371]	2970 [2611]	11.40 [101.00]	144.9 [1286]
VT018-050	50:1	1390 [12301]	1297 [11479]	1247 [11042]	2863 [25338]	10.90 [96.00]	140.4 [1244]	
VT018-070	70:1	1319 [11667]	1236 [10339]	1193 [10555]	2707 [23959]	10.90 [96.00]	124.2 [1103]	
VT018-100	100:1	868 [7676]	757 [6698]	708 [6269]	2537 [22454]	10.90 [96.00]	92.7 [817]	
VT022	VT022-004	4:1	1815 [16065]	1306 [11554]	1121 [9913]	4180 [36986]	87.00 [7.70]	386 [3414]
	VT022-005	5:1	1892 [16740]	1360 [12038]	1167 [10328]	4093 [36225]	73.40 [6.50]	372 [3295]
	VT022-007	7:1	1838 [16268]	1452 [12844]	1245 [11019]	3933 [34804]	62.60 [5.55]	326 [2891]
	VT022-010	10:1	1050 [9293]	893 [8097]	823 [7277]	3871 [34254]	56.90 [5.04]	227 [2012]
	VT022-016	16:1	2218 [19625]	1979 [17513]	1697 [15025]	4722 [41793]	87.30 [7.73]	392 [3472]
	VT022-020	20:1	2254 [19948]	2062 [18246]	1815 [16065]	4791 [42396]	73.60 [6.52]	392 [3470]
	VT022-025	25:1	2184 [19332]	2009 [17781]	1892 [16745]	4636 [41025]	73.10 [6.47]	376 [3329]
	VT022-028	28:1	2304 [20394]	2125 [18803]	2008 [17528]	4884 [43224]	62.70 [5.55]	391 [3469]
	VT022-035	35:1	2233 [19765]	2067 [18294]	1976 [17494]	4719 [41757]	62.50 [5.53]	376 [3328]
	VT022-040	40:1	2357 [20864]	2188 [19359]	2095 [18542]	4972 [43999]	57.20 [5.06]	391 [3466]
VT022-050	50:1	2282 [20199]	2125 [18808]	2040 [18056]	4795 [42440]	57.10 [5.05]	376 [3326]	
VT022-070	70:1	2165 [19159]	2026 [17930]	1951 [17270]	4523 [40023]	57.00 [5.04]	329 [2903]	
VT022-100	100:1	1414 [12512]	1232 [10904]	1155 [10220]	4367 [38647]	56.90 [5.04]	228 [2014]	

All ratios in frame size 60, 75, 100 and 140 are available to ship in 24 hours through the Gearhead Express Program.

ValueTRUE™ Helical Right Angle Gearheads

Right Angle Torque: VTR006 - VTR075

Performance Specifications

Part Number	Ratio	20000 Hour Life			T _{peak} Nm [in-lb]	J kg-cm ² [in-lb-sec ² x10 ⁴]	Torsional Stiffness Nm/arc-min [in-lb/arc-min]	
		T _r (1000 rpm) Nm [in-lb]	T _r (3000 rpm) Nm [in-lb]	T _r (5000 rpm) Nm [in-lb]				
VTR006	VTR006-008	8:1	44 [390]	41 [358]	34 [303]	95 [844]	0.50 [4.43]	1.89 [16.7]
	VTR006-010	10:1	43 [382]	40 [350]	36 [319]	92 [812]	0.49 [4.34]	1.62 [14.3]
	VTR006-012	12:1	41 [358]	37 [327]	33 [295]	98 [868]	0.39 [3.45]	1.80 [15.9]
	VTR006-014	14:1	41 [358]	38 [335]	37 [327]	87 [773]	0.49 [4.34]	2.16 [19.1]
	VTR006-015	15:1	44 [390]	41 [366]	40 [350]	95 [836]	0.39 [3.45]	2.16 [19.1]
	VTR006-016	16:1	30 [263]	27 [239]	24 [215]	99 [876]	0.39 [3.45]	2.16 [19.1]
	VTR006-020	20:1	37 [327]	34 [303]	31 [271]	95 [844]	0.39 [3.45]	2.16 [19.1]
	VTR006-025	25:1	31 [271]	28 [247]	25 [223]	96 [852]	0.38 [3.36]	2.07 [18.3]
	VTR006-028	28:1	42 [374]	40 [350]	39 [342]	90 [797]	0.39 [3.45]	1.98 [18.3]
	VTR006-030	30:1	25 [223]	22 [191]	21 [183]	84 [741]	0.42 [3.72]	2.07 [18.3]
	VTR006-035	35:1	43 [382]	40 [350]	35 [311]	91 [804]	0.38 [3.36]	2.07 [18.3]
	VTR006-040	40:1	26 [231]	23 [199]	22 [191]	85 [749]	0.39 [3.45]	2.16 [19.1]
VTR006-050	50:1	27 [239]	23 [207]	22 [191]	85 [749]	0.38 [3.36]	2.16 [19.1]	
VTR075	VTR075-008	8:1	80 [709]	73 [645]	70 [621]	170 [1505]	1.90 [16.81]	4.23 [37.4]
	VTR075-010	10:1	77 [685]	71 [629]	68 [605]	165 [1458]	1.90 [16.81]	3.69 [32.7]
	VTR075-012	12:1	82 [725]	76 [669]	73 [645]	175 [1545]	1.50 [13.28]	4.14 [36.6]
	VTR075-014	14:1	74 [653]	68 [605]	66 [581]	157 [1386]	1.90 [16.81]	5.94 [52.6]
	VTR075-015	15:1	79 [701]	74 [653]	70 [621]	168 [1489]	1.50 [13.28]	6.03 [53.4]
	VTR075-016	16:1	84 [741]	77 [685]	75 [661]	177 [1569]	1.50 [13.28]	6.03 [53.4]
	VTR075-020	20:1	80 [709]	75 [661]	72 [637]	171 [1513]	1.50 [13.28]	5.85 [51.8]
	VTR075-025	25:1	82 [725]	77 [677]	72 [637]	173 [1529]	1.50 [13.28]	5.76 [51.0]
	VTR075-028	28:1	77 [677]	72 [637]	69 [613]	161 [1426]	1.50 [13.28]	5.31 [47.0]
	VTR075-030	30:1	45 [398]	40 [350]	37 [327]	149 [1322]	1.60 [14.16]	5.67 [47.0]
	VTR075-035	35:1	77 [685]	73 [645]	70 [621]	163 [1442]	1.50 [13.28]	5.67 [50.2]
	VTR075-040	40:1	47 [414]	41 [358]	38 [335]	151 [1338]	1.50 [13.28]	6.03 [53.4]
VTR075-050	50:1	48 [422]	42 [374]	40 [350]	153 [1354]	1.50 [13.28]	5.94 [52.6]	

¹ Ratios are exact, higher ratios are also available, consult factory.
T_r = Rated output torque at rated speed for specific hours of life.

T_{peak} = Allowable momentary peak torque for emergency stop or heavy shock loading.
J = Mass moment of inertia reflected to the input shaft (including pinion assembly).

ValueTRUE™ Helical Right Angle Gearheads

Right Angle Torque: VTR090 - VTR010

Performance Specifications

Part Number	Ratio	20000 Hour Life			T _{peak} Nm [in-lb]	J kg-cm ² [in-lb-sec ² x10 ⁴]	Torsional Stiffness Nm/arc-min [in-lb/arc-min]	
		T _r (1000 rpm) Nm [in-lb]	T _r (3000 rpm) Nm [in-lb]	T _r (5000 rpm) Nm [in-lb]				
VTR090	VTR090-008	8:1	80 [709]	73 [345]	70 [621]	170 [1505]	1.90 [16.81]	4.23 [37.4]
	VTR090-010	10:1	77 [685]	71 [629]	68 [605]	165 [1458]	1.90 [16.81]	3.69 [32.7]
	VTR090-012	12:1	82 [725]	76 [669]	73 [645]	175 [1545]	1.50 [13.28]	4.14 [36.6]
	VTR090-014	14:1	74 [653]	68 [605]	66 [581]	157 [1386]	1.90 [16.81]	5.94 [52.6]
	VTR090-015	15:1	79 [701]	74 [653]	70 [621]	168 [1489]	1.50 [13.28]	6.03 [53.4]
	VTR090-016	16:1	84 [741]	77 [685]	75 [661]	177 [1569]	1.50 [13.28]	6.03 [53.4]
	VTR090-020	20:1	80 [709]	75 [661]	72 [637]	171 [1513]	1.50 [13.28]	5.85 [51.8]
	VTR090-025	25:1	82 [725]	77 [677]	72 [637]	173 [1529]	1.50 [13.28]	5.76 [51.0]
	VTR090-028	28:1	77 [677]	72 [637]	69 [613]	161 [1426]	1.50 [13.28]	5.31 [47.0]
	VTR090-030	30:1	45 [398]	40 [350]	37 [327]	149 [1322]	1.60 [14.16]	5.67 [50.2]
	VTR090-035	35:1	77 [685]	73 [645]	70 [621]	163 [1442]	1.50 [13.28]	5.67 [50.2]
	VTR090-040	40:1	47 [414]	41 [358]	38 [335]	151 [1338]	1.50 [13.28]	6.03 [53.4]
VTR090-050	50:1	48 [422]	42 [374]	40 [350]	153 [1354]	1.50 [13.28]	5.94 [52.6]	
VTR010	VTR010-004	4:1	234 [2071]	195 [1728]	167 [1673]	492 [4357]	3.30 [29.20]	14.94 [132.2]
	VTR010-005	5:1	228 [2015]	203 [1800]	175 [1649]	478 [4229]	3.30 [29.20]	11.79 [104.3]
	VTR010-008	8:1	234 [2071]	195 [1728]	167 [1673]	492 [4357]	3.30 [29.20]	14.94 [132.2]
	VTR010-010	10:1	228 [2015]	203 [1800]	175 [1649]	478 [4229]	3.30 [29.20]	11.79 [104.3]
	VTR010-012	12:1	243 [2151]	221 [1951]	189 [1744]	508 [4492]	2.60 [23.01]	16.92 [149.7]
	VTR010-014	14:1	217 [1920]	200 [1768]	186 [1649]	455 [4030]	3.30 [29.20]	20.79 [184.0]
	VTR010-015	15:1	233 [2063]	216 [1912]	197 [1744]	491 [4349]	2.50 [22.12]	21.87 [193.5]
	VTR010-016	16:1	225 [1991]	205 [1816]	185 [1641]	518 [4580]	2.60 [23.01]	22.32 [197.5]
	VTR010-020	20:1	238 [2103]	221 [1951]	212 [1872]	500 [4421]	2.60 [23.01]	19.89 [176.0]
	VTR010-025	25:1	211 [1864]	193 [1705]	174 [1532]	506 [4476]	2.50 [22.12]	19.89 [176.0]
	VTR010-028	28:1	226 [1999]	211 [1854]	203 [1792]	473 [4190]	2.60 [23.01]	17.28 [152.9]
	VTR010-030	30:1	132 [1171]	115 [1020]	107 [948]	439 [3887]	2.80 [24.78]	17.19 [152.9]
VTR010-035	35:1	229 [2023]	214 [1896]	206 [1824]	479 [4237]	2.50 [22.12]	17.10 [152.1]	
VTR010-040	40:1	137 [1211]	119 [1051]	112 [988]	445 [3935]	2.60 [23.01]	22.41 [198.3]	
VTR010-050	50:1	140 [1243]	122 [1083]	115 [1020]	448 [3967]	2.50 [22.12]	19.71 [174.4]	

¹ Ratios are exact, higher ratios are also available, consult factory.
T_r = Rated output torque at rated speed for specific hours of life.

T_{peak} = Allowable momentary peak torque for emergency stop or heavy shock loading.
J = Mass moment of inertia reflected to the input shaft (including pinion assembly).

ValueTRUE™ Helical Right Angle Gearheads

Right Angle Torque: VTR115, VTR014, VTR018

Performance Specifications

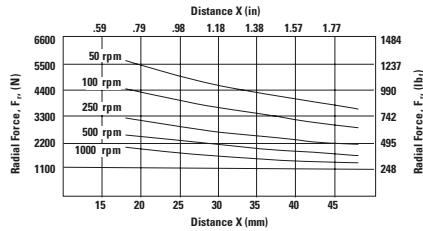
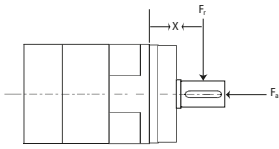
Part Number	Ratio	20000 Hour Life			T _{peak} Nm [in-lb]	J kg-cm ² [in-lb-sec ² x10 ⁴]	Torsional Stiffness Nm/arc-min [in-lb/arc-min]	
		T _r (1000 rpm) Nm [in-lb]	T _r (3000 rpm) Nm [in-lb]	T _r (5000 rpm) Nm [in-lb]				
VTR115	VTR115-004	4:1	234 [2071]	195 [1728]	167 [1481]	492 [4357]	3.30 [29.20]	14.94 [132.2]
	VTR115-005	5:1	228 [2015]	203 [1800]	175 [1545]	478 [4229]	3.30 [29.20]	11.79 [104.3]
	VTR115-008	8:1	234 [2071]	195 [1728]	167 [1481]	492 [4357]	3.30 [29.20]	14.94 [132.2]
	VTR115-010	10:1	228 [2015]	203 [1800]	175 [1545]	478 [4229]	3.30 [29.20]	11.79 [104.3]
	VTR115-012	12:1	243 [2151]	221 [1951]	189 [1673]	508 [4492]	2.60 [23.01]	16.92 [149.7]
	VTR115-014	14:1	217 [1920]	200 [1768]	186 [1649]	455 [4030]	3.30 [29.20]	20.79 [184.0]
	VTR115-015	15:1	233 [2063]	216 [1912]	197 [1744]	491 [4349]	2.50 [22.12]	21.87 [193.5]
	VTR115-016	16:1	225 [1991]	205 [1816]	185 [1641]	518 [4580]	2.60 [23.01]	22.32 [197.3]
	VTR115-020	20:1	238 [2103]	221 [1951]	212 [1872]	500 [4421]	2.60 [23.01]	19.89 [176.0]
	VTR115-025	25:1	211 [1864]	193 [1705]	174 [1537]	506 [4476]	2.50 [22.12]	19.89 [176.0]
	VTR115-028	28:1	226 [1999]	211 [1864]	203 [1792]	473 [4190]	2.60 [23.01]	17.28 [152.9]
	VTR115-030	30:1	132 [1171]	115 [1020]	107 [948]	439 [3887]	2.80 [24.78]	17.19 [152.1]
	VTR115-035	35:1	229 [2023]	214 [1896]	203 [1824]	479 [4237]	2.50 [22.12]	17.10 [151.3]
VTR115-040	40:1	137 [1211]	119 [1051]	112 [988]	445 [3935]	2.60 [23.01]	22.41 [198.3]	
VTR115-050	50:1	140 [1243]	122 [1083]	115 [1020]	448 [3967]	2.50 [22.12]	19.71 [174.4]	
VTR014	VTR014-004	4:1	550 [4867]	477 [4221]	409 [3616]	1142 [10108]	16.00 [141.60]	33.03 [292.0]
	VTR014-005	5:1	534 [4723]	485 [4293]	427 [3775]	1110 [9821]	16.00 [141.60]	28.71 [254.0]
	VTR014-008	8:1	550 [4867]	477 [4221]	409 [3616]	1142 [10108]	16.00 [141.60]	33.03 [292.0]
	VTR014-010	10:1	534 [4723]	485 [4293]	427 [3775]	1110 [9821]	16.00 [141.60]	28.71 [254.0]
	VTR014-012	12:1	567 [5018]	518 [4580]	462 [4086]	1182 [10458]	13.00 [115.05]	19.89 [176.0]
	VTR014-014	14:1	509 [4500]	466 [4126]	444 [3927]	1061 [9391]	16.00 [141.60]	46.44 [411.0]
	VTR014-015	15:1	549 [4859]	504 [4460]	480 [4245]	1145 [10131]	12.00 [106.20]	46.53 [412.0]
	VTR014-016	16:1	525 [4644]	479 [4237]	433 [3831]	1206 [10673]	13.00 [115.05]	47.52 [421.0]
	VTR014-020	20:1	560 [4954]	517 [4572]	493 [4365]	1166 [10323]	13.00 [115.05]	44.28 [392.0]
	VTR014-025	25:1	532 [4707]	494 [4373]	474 [4198]	1183 [10466]	13.00 [115.05]	38.52 [341.0]
	VTR014-028	28:1	532 [4707]	494 [4373]	474 [4198]	1108 [9805]	13.00 [115.05]	38.52 [341.0]
	VTR014-030	30:1	317 [2804]	275 [2429]	256 [2262]	1029 [9104]	14.00 [123.90]	40.23 [356.0]
	VTR014-035	35:1	539 [4771]	502 [4444]	483 [4277]	1121 [9924]	12.00 [106.20]	36.18 [320.0]
VTR014-040	40:1	328 [2899]	285 [2525]	266 [2350]	1043 [9231]	13.00 [115.05]	47.34 [419.0]	
VTR014-050	50:1	338 [2987]	293 [2597]	275 [2429]	1054 [9327]	12.00 [106.20]	44.28 [392.0]	
VTR018	VTR018-004	4:1	1285 [11374]	1066 [9431]	914 [8092]	2636 [23329]	45 [398]	102 [900]
	VTR018-005	5:1	1247 [11039]	1111 [9829]	952 [8427]	2566 [22708]	45 [398]	83 [733]
	VTR018-008	8:1	1285 [11374]	1066 [9431]	914 [8092]	2636 [23329]	45 [398]	102 [900]
	VTR018-010	10:1	1247 [11039]	1111 [9829]	952 [8427]	2566 [22708]	45 [398]	83 [733]
	VTR018-012	12:1	1328 [11748]	1203 [10649]	1032 [9136]	2736 [24214]	36 [319]	57 [502]
	VTR018-014	14:1	1193 [10554]	1085 [9606]	1016 [8992]	2460 [21768]	45 [398]	100 [884]
	VTR018-015	15:1	1287 [11390]	1174 [10386]	1076 [9518]	2655 [23497]	35 [310]	130 [1147]
	VTR018-016	16:1	1199 [10609]	1094 [9685]	989 [8754]	2800 [24779]	36 [319]	132 [1171]
	VTR018-020	20:1	1314 [11629]	1205 [10665]	1148 [10155]	2713 [24007]	36 [319]	128 [1131]
	VTR018-025	25:1	1054 [9327]	962 [8515]	870 [7702]	2754 [24373]	35 [310]	107 [948]
	VTR018-028	28:1	1251 [11071]	1156 [10227]	1105 [9781]	2583 [22860]	36 [319]	113 [1004]
	VTR018-030	30:1	747 [6611]	645 [5711]	600 [5313]	2399 [21227]	38 [336]	102 [900]
	VTR018-035	35:1	1268 [11223]	1176 [10410]	1128 [9980]	2617 [23162]	35 [310]	102 [900]
VTR018-040	40:1	775 [6858]	671 [5942]	626 [5536]	2437 [21569]	36 [319]	132 [1171]	
VTR018-050	50:1	338 [2987]	691 [6117]	645 [5711]	2465 [21816]	35 [310]	128 [1131]	

¹ Ratios are exact, higher ratios are also available, consult factory.
T_r = Rated output torque at rated speed for specific hours of life.

T_{peak} = Allowable momentary peak torque for emergency stop or heavy shock loading.
J = Mass moment of inertia reflected to the input shaft (including pinion assembly).

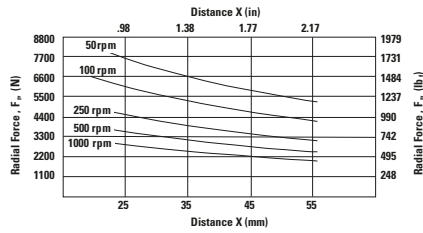
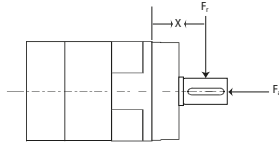
Radial and Axial Load Ratings

VT006



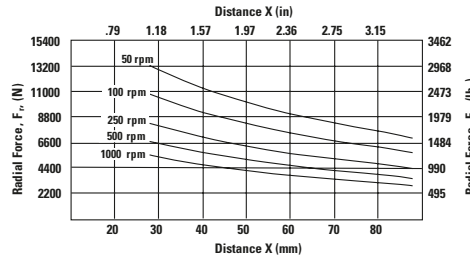
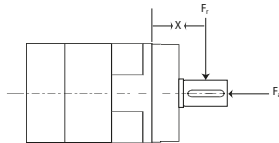
Speed rpm	Axial Load, F_a N [lb.]
50	7198 [1618]
100	5710 [1284]
250	4208 [946]
500	3342 [751]
1000	2652 [596]

VT075 and VT090



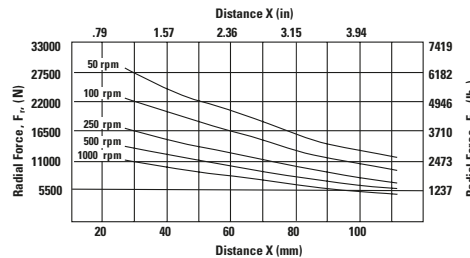
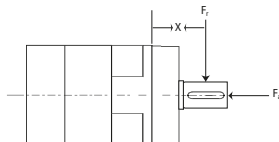
Speed rpm	Axial Load, F_a N [lb.]
50	9903 [2227]
100	7863 [1768]
250	5793 [1303]
500	4599 [1034]
1000	3650 [821]

VT010 and VT115



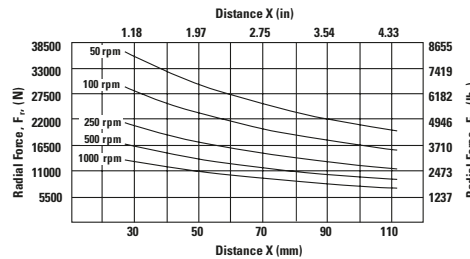
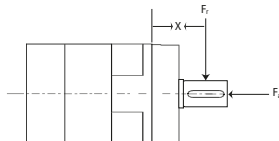
Speed rpm	Axial Load, F_a N [lb.]
50	13,675 [3075]
100	11,107 [2497]
250	8435 [1897]
500	6855 [1542]
1000	5568 [1252]

VT014



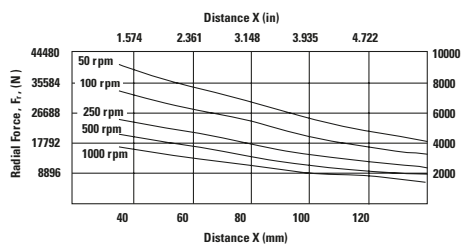
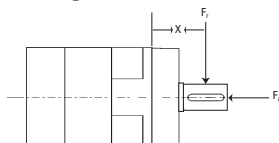
Speed rpm	Axial Load, F_a N [lb.]
50	25,374 [5705]
100	20,609 [4633]
250	15,657 [3520]
500	12,716 [2859]
1000	10,329 [2322]

VT018



Speed rpm	Axial Load, F_a N [lb.]
50	34,538 [7765]
100	27,414 [6163]
250	20,197 [4541]
500	16,034 [3605]
1000	12,726 [2861]

VT022

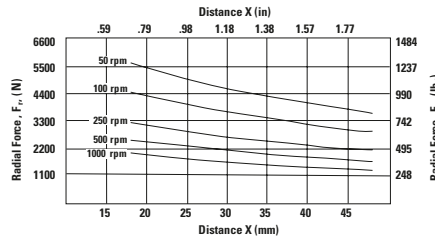
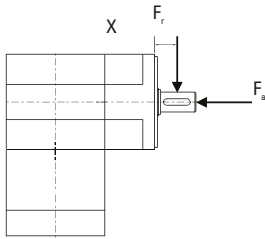


Speed rpm	Axial Load, F_a N [lb.]
50	32,351 [3655]
100	26,277 [2969]
250	19,962 [2256]
500	16,214 [1832]

These graphs display the allowable radial load at a given distance (X) from the mounting surface based on an L_{10} life of 10,000 hours for the mean output speed n_{mout} , as described on page 9.

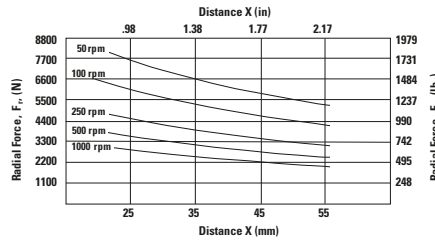
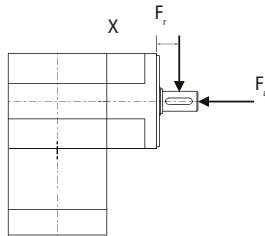
Radial and Axial Load Ratings

VTR006



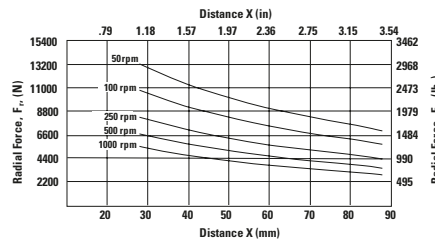
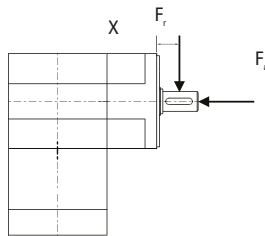
Speed rpm	Axial Load, F_a N [lb.]
50	7198 [1618]
100	5710 [1284]
250	4208 [946]
500	3342 [751]
1000	2652 [596]

VTR075 and VTR090



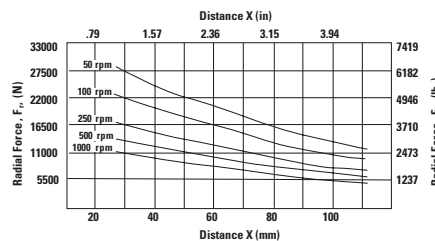
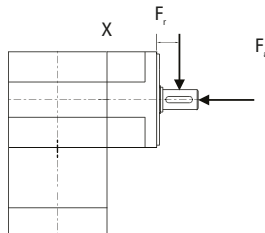
Speed rpm	Axial Load, F_a N [lb.]
50	9903 [2227]
100	7863 [1768]
250	5793 [1303]
500	4599 [1034]
1000	3650 [821]

VTR010 and VTR115



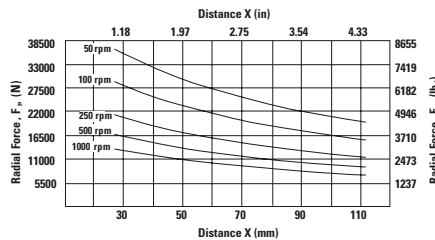
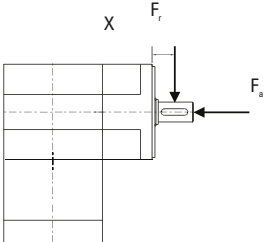
Speed rpm	Axial Load, F_a N [lb.]
50	13,675 [3075]
100	11,107 [2497]
250	8435 [1897]
500	6855 [1542]
1000	5568 [1252]

VTR014



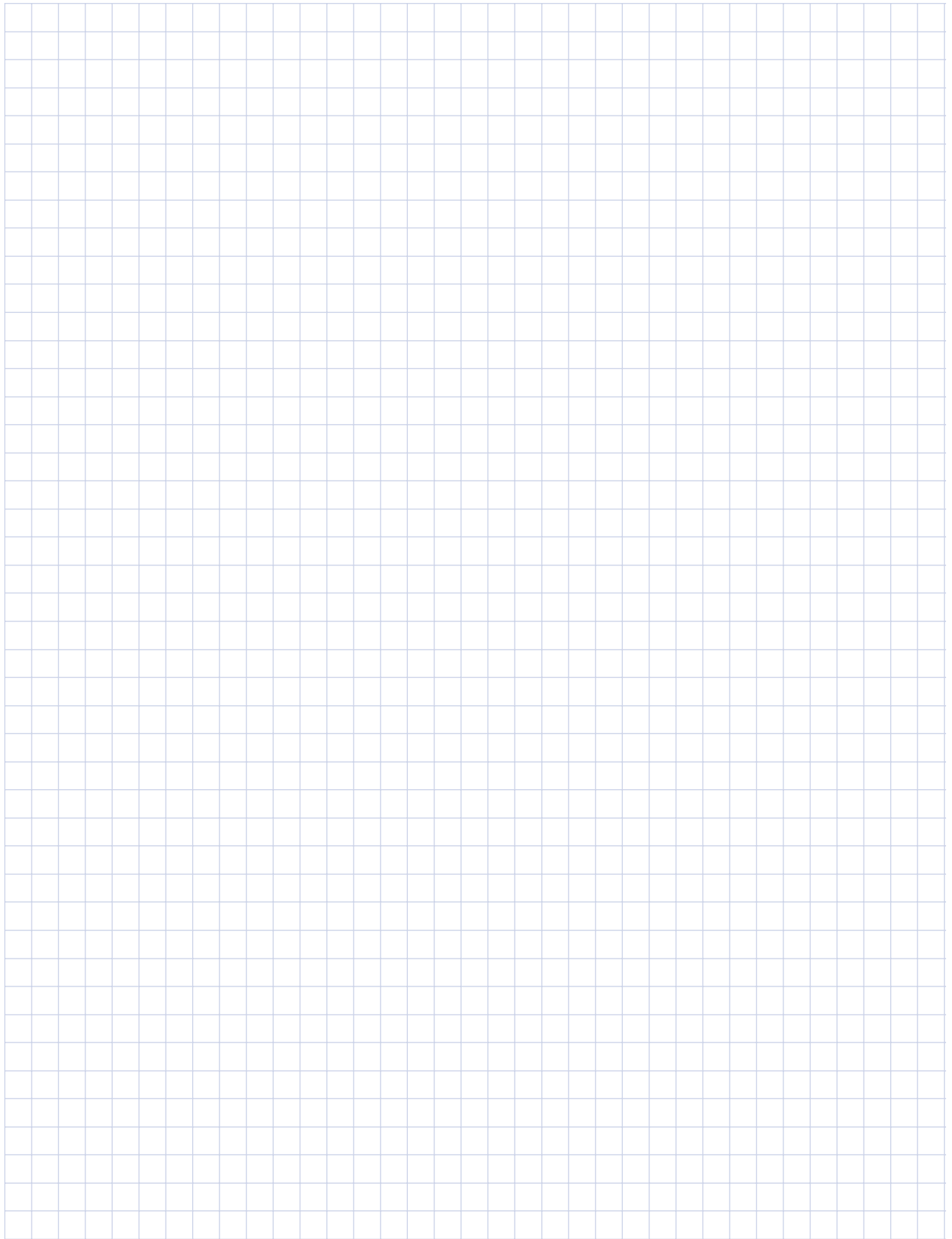
Speed rpm	Axial Load, F_a N [lb.]
50	25,374 [5705]
100	20,609 [4633]
250	15,657 [3520]
500	12,716 [2859]
1000	10,329 [2322]

VTR018



Speed rpm	Axial Load, F_a N [lb.]
50	34,538 [7765]
100	27,414 [6163]
250	20,197 [4541]
500	16,034 [3605]
1000	12,726 [2861]

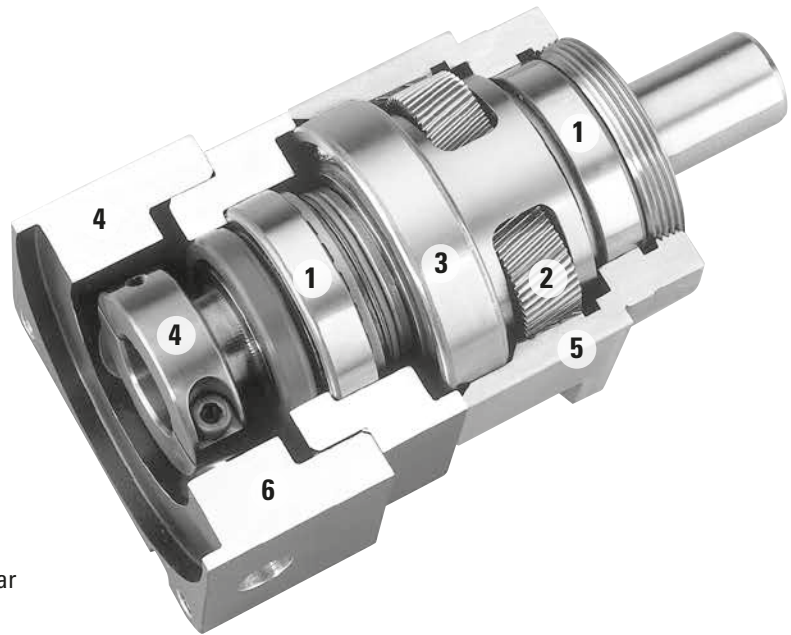
These graphs display the allowable radial load at a given distance (X) from the mounting surface based on an L_{10} life of 10,000 hours for the mean output speed n_{mout} , as described on page 9.



UltraTRUE™**Helical True™ Planetary Gearheads**

Ready for Immediate Delivery	
Precision	4 arc-minutes
Frame Sizes	60mm, 75mm, 90mm, 100mm, 115mm, 140mm, 180mm and 220mm
Torque Capacity	up to 3300 Nm
Ratio Availability	4:1 thru 100:1
Radial load capacity	up to 37910 N
Mounting System	RediMount™

- ① **Tapered roller bearings**
provide high axial and radial load carrying capacity
- ② **Helical crowned**
HRC 55-60 steel gears
provide higher torque capacity and smoother operation
- ③ **Sealed deep groove ball bearing**
provides high radial load carrying capability
- ④ **RediMount system**
provides error-free motor installation
- ⑤ **Single-piece output**
integrated output housing and internal gear
- ⑥ **Anodized aluminum housing**
reduces weight and prevents corrosion



**Micron True™ Planetary Gearheads
shipped within 24 hours!**

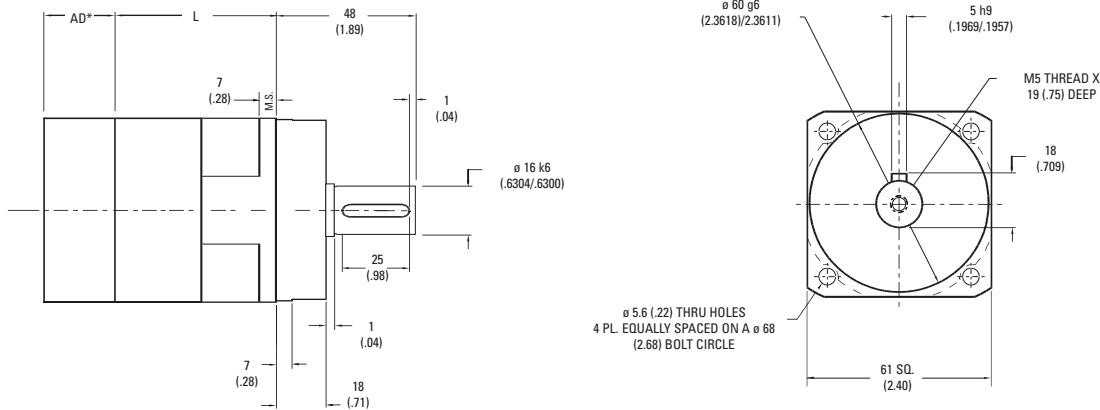


*Need it fast? Go to the back cover
of the catalog for details.*

UltraTRUE™ Size 60

Helical True™ Planetary Gearheads

Metric



Ratio ¹	Dimension 'L' mm [in]	Backlash [arc-min]	Weight kg [lb]	Efficiency
4:1 to 10:1	57 [2.25]	4 max	2 [4.4]	95%
16:1 to 100:1	105,4 [4.15]	5 max	2.5 [5.5]	90%

All dimensions are: mm (inch)
 AD** = Adapter length
 Adapter length will vary depending on motor.
 M.S.= Mounting Surface
 Efficiency is calculated at 100% of the rated torque.

Performance Specifications

Part Number	Ratio ¹	10,000 Hour Life			T _{peak} Nm [in-lb]	20,000 Hour Life			J kg-cm ² [in-lb-sec ² x10 ⁻⁴]	Torsional Stiffness Nm/arc-min [in-lb/arc-min]
		T _r (1000 rpm) Nm [in-lb]	T _r (3000 rpm) Nm [in-lb]	T _r (5000 rpm) Nm [in-lb]		T _r (1000 rpm) Nm [in-lb]	T _r (3000 rpm) Nm [in-lb]	T _r (5000 rpm) Nm [in-lb]		
UT006-004	4:1	48 [426]	44 [387]	38 [340]	101 [891]	47 [417]	36 [322]	31 [276]	.20 [1.80]	2.62 [23.2]
UT006-005	5:1	47 [413]	43 [377]	40 [355]	98 [865]	46 [404]	38 [336]	33 [288]	.13 [1.16]	2.56 [22.7]
UT006-007	7:1	45 [394]	41 [362]	39 [345]	93 [825]	44 [385]	40 [354]	35 [307]	.11 [.96]	2.42 [21.5]
UT006-010	10:1	26 [232]	23 [200]	21 [186]	88 [781]	24 [215]	21 [185]	19 [173]	.10 [.85]	1.93 [17.1]
UT006-016	16:1	53 [467]	49 [435]	47 [419]	110 [975]	52 [456]	48 [426]	46 [410]	.16 [1.44]	2.67 [23.7]
UT006-020	20:1	53 [472]	50 [442]	48 [426]	111 [985]	52 [462]	49 [432]	47 [417]	.16 [1.44]	2.62 [23.2]
UT006-025	25:1	51 [456]	48 [428]	47 [413]	107 [948]	50 [446]	47 [418]	46 [404]	.16 [1.44]	2.58 [22.8]
UT006-028	28:1	54 [481]	51 [452]	49 [437]	113 [999]	53 [470]	50 [442]	48 [427]	.16 [1.44]	2.46 [21.8]
UT006-035	35:1	52 [463]	49 [437]	48 [423]	108 [960]	51 [453]	48 [427]	47 [414]	.10 [.85]	2.54 [22.5]
UT006-040	40:1	55 [489]	52 [462]	51 [447]	114 [1011]	54 [478]	51 [451]	49 [438]	.10 [.85]	2.67 [23.7]
UT006-050	50:1	53 [471]	50 [446]	49 [433]	110 [971]	52 [461]	49 [436]	48 [423]	.10 [.85]	2.62 [23.2]
UT006-070	70:1	50 [445]	48 [423]	46 [411]	103 [913]	49 [435]	47 [414]	45 [402]	.10 [.85]	2.46 [21.8]
UT006-100	100:1	35 [307]	30 [269]	29 [253]	96 [851]	32 [284]	28 [249]	26 [234]	.10 [.85]	2.03 [17.9]

All ratios are available to ship in 24 hours through the Gearhead Express Program.

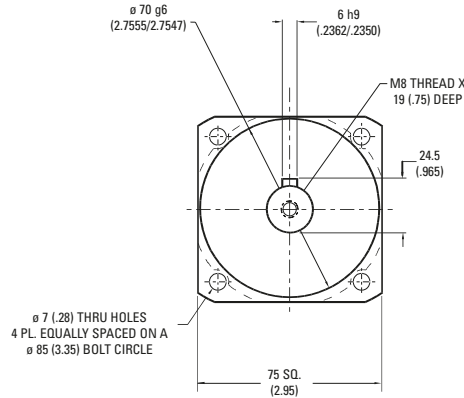
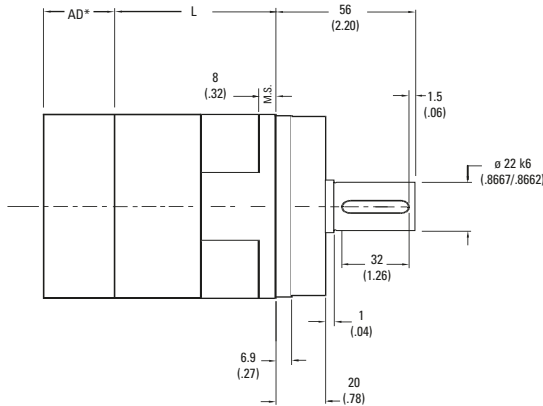
¹ Ratios are exact, higher ratios are also available, consult factory.
 T_r = Rated output torque at rated speed for specific hours of life.

T_{peak} = Allowable momentary peak torque for emergency stop or heavy shock loading.
 J = Mass moment of inertia reflected to the input shaft (including pinion assembly).

UltraTRUE™ Size 75

Helical True™ Planetary Gearheads

Metric



Ratio ¹	Dimension 'L' mm [in]	Backlash [arc-min]	Weight kg [lb]	Efficiency
4:1 to 10:1	60 [2.35]	4 max	2.5 [5.5]	95%
16:1 to 100:1	117 [4.60]	5 max	3.0 [6.6]	90%

All dimensions are: mm (inch)
 AD** = Adapter length
 Adapter length will vary depending on motor.
 M.S.= Mounting Surface
 Efficiency is calculated at 100% of the rated torque.

Performance Specifications

Part Number	Ratio ¹	10,000 Hour Life			T peak Nm [in-lb]	20,000 Hour Life			J kg-cm ² [in-lb-sec ² ×10 ⁻⁴]	Torsional Stiffness Nm/arc-min [in-lb/arc-min]
		T _r (1000 rpm) Nm [in-lb]	T _r (3000 rpm) Nm [in-lb]	T _r (5000 rpm) Nm [in-lb]		T _r (1000 rpm) Nm [in-lb]	T _r (3000 rpm) Nm [in-lb]	T _r (5000 rpm) Nm [in-lb]		
UT075-004	4:1	86 [762]	78 [689]	73 [649]	179 [1581]	84 [746]	74 [652]	63 [559]	.46 [4.1]	7,00 [61.9]
UT075-005	5:1	84 [740]	76 [672]	72 [636]	174 [1537]	82 [723]	74 [657]	66 [583]	.38 [3.4]	6,86 [60.7]
UT075-007	7:1	80 [706]	73 [646]	69 [615]	166 [1469]	78 [690]	71 [632]	68 [601]	.31 [2.8]	6,07 [53.7]
UT075-010	10:1	47 [418]	41 [360]	38 [335]	157 [1393]	44 [387]	38 [333]	35 [310]	.27 [2.4]	4,46 [39.5]
UT075-016	16:1	95 [838]	88 [780]	85 [749]	197 [1743]	93 [820]	86 [762]	83 [732]	.31 [2.8]	7,36 [65.1]
UT075-020	20:1	96 [849]	90 [792]	86 [762]	199 [1762]	94 [830]	88 [775]	84 [746]	.31 [2.8]	7,20 [63.7]
UT075-025	25:1	93 [820]	87 [767]	84 [740]	192 [1698]	91 [801]	85 [750]	82 [723]	.31 [2.8]	7,07 [62.6]
UT075-028	28:1	98 [864]	92 [811]	88 [782]	202 [1789]	96 [845]	90 [793]	86 [765]	.28 [2.5]	6,45 [57.1]
UT075-035	35:1	94 [834]	89 [784]	86 [758]	194 [1721]	92 [815]	87 [767]	84 [741]	.16 [1.4]	6,68 [59.1]
UT075-040	40:1	99 [880]	94 [829]	91 [802]	205 [1813]	97 [861]	92 [811]	89 [785]	.16 [1.4]	7,37 [65.2]
UT075-050	50:1	96 [849]	91 [801]	88 [777]	197 [1743]	94 [830]	89 [784]	86 [759]	.16 [1.4]	7,22 [63.9]
UT075-070	70:1	91 [802]	86 [760]	83 [738]	185 [1639]	89 [784]	84 [743]	82 [722]	.16 [1.4]	6,48 [57.3]
UT075-100	100:1	63 [554]	55 [486]	52 [456]	173 [1529]	58 [513]	51 [450]	48 [422]	.15 [1.3]	4,50 [39.8]

All ratios are available to ship in 24 hours through the Gearhead Express Program.

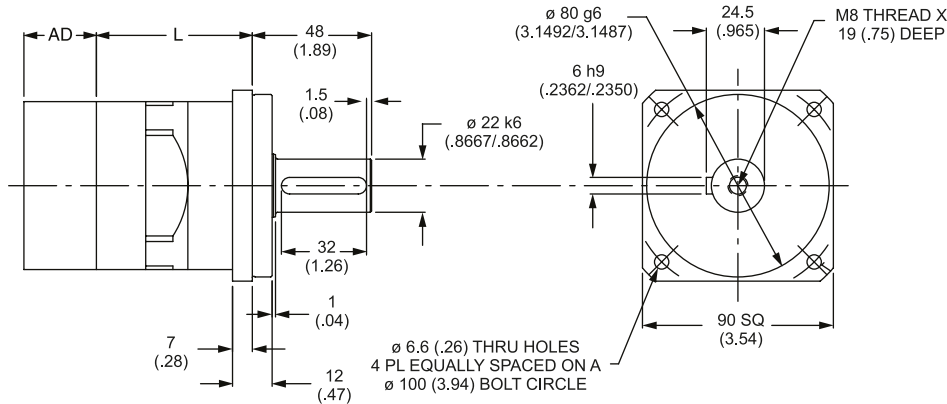
¹ Ratios are exact, higher ratios are also available, consult factory.
 T_r = Rated output torque at rated speed for specific hours of life.

T_{peak} = Allowable momentary peak torque for emergency stop or heavy shock loading.
 J = Mass moment of inertia reflected to the input shaft (including pinion assembly).

UltraTRUE™ Size 90

Helical True™ Planetary Gearheads

Metric



Ratio ¹	Dimension 'L' mm [in]	Backlash [arc-min]	Weight kg [lb]	Efficiency
4:1 to 10:1	68 [2.66]	4 max	2,5 [5.5]	95%
16:1 to 100:1	125 [4.91]	5 max	3,0 [6.6]	90%

All dimensions are: mm (inch)

AD** = Adapter length

Adapter length and width will vary depending on motor.

M.S. = Mounting Surface

Efficiency is calculated at 100% of the rated torque.

Performance Specifications

Part Number	Ratio ¹	10,000 Hour Life				T peak Nm [in-lb]	20,000 Hour Life			J kg-cm ² [in-lb-sec ² x10 ⁻⁴]	Torsional Stiffness Nm/arc-min [in-lb/arc-min]
		T _r (1000 rpm) Nm [in-lb]	T _r (3000 rpm) Nm [in-lb]	T _r (5000 rpm) Nm [in-lb]	T _r (1000 rpm) Nm [in-lb]		T _r (3000 rpm) Nm [in-lb]	T _r (5000 rpm) Nm [in-lb]			
UT090-004	4:1	86 [762]	78 [689]	73 [649]	179 [1581]	84 [746]	74 [652]	63 [559]	,46 [4.1]	7,00 [61.9]	
UT090-005	5:1	84 [740]	76 [672]	72 [636]	174 [1537]	82 [723]	74 [657]	66 [583]	,38 [3.4]	6,86 [60.7]	
UT090-007	7:1	80 [706]	73 [646]	69 [615]	166 [1469]	78 [690]	71 [632]	68 [601]	,31 [2.8]	6,07 [53.7]	
UT090-010	10:1	47 [418]	41 [360]	38 [335]	157 [1393]	44 [387]	38 [333]	35 [310]	,27 [2.4]	4,46 [39.5]	
UT090-016	16:1	95 [838]	88 [780]	85 [749]	197 [1743]	93 [820]	86 [762]	83 [732]	,31 [2.8]	7,36 [65.1]	
UT090-020	20:1	96 [849]	90 [792]	86 [762]	199 [1762]	94 [830]	88 [775]	84 [746]	,31 [2.8]	7,20 [63.7]	
UT090-025	25:1	93 [820]	87 [767]	84 [740]	192 [1698]	91 [801]	85 [750]	82 [723]	,31 [2.8]	7,07 [62.6]	
UT090-028	28:1	98 [864]	92 [811]	88 [782]	202 [1789]	96 [845]	90 [793]	86 [765]	,28 [2.5]	6,45 [57.1]	
UT090-035	35:1	94 [834]	89 [784]	86 [758]	194 [1721]	92 [815]	87 [767]	84 [741]	,16 [1.4]	6,68 [59.1]	
UT090-040	40:1	99 [880]	94 [829]	91 [802]	205 [1813]	97 [861]	92 [811]	89 [785]	,16 [1.4]	7,37 [65.2]	
UT090-050	50:1	96 [849]	91 [801]	88 [777]	197 [1743]	94 [830]	89 [784]	86 [759]	,16 [1.4]	7,22 [63.9]	
UT090-070	70:1	91 [802]	86 [760]	83 [738]	185 [1639]	89 [784]	84 [743]	82 [722]	,16 [1.4]	6,48 [57.3]	
UT090-100	100:1	63 [554]	55 [486]	52 [456]	173 [1529]	58 [513]	51 [450]	48 [422]	,15 [1.3]	4,50 [39.8]	

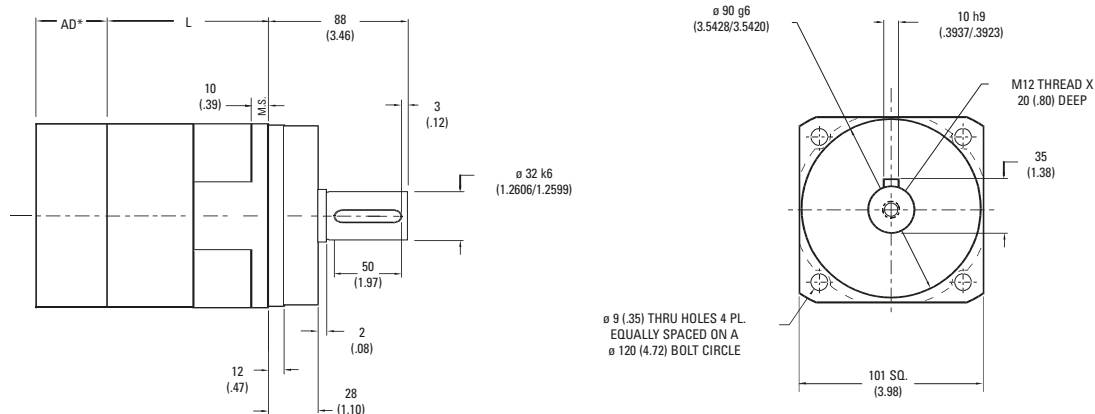
¹ Ratios are exact, higher ratios are also available, consult factory.
T_r = Rated output torque at rated speed for specific hours of life.

T_{peak} = Allowable momentary peak torque for emergency stop or heavy shock loading.
J = Mass moment of inertia reflected to the input shaft (including pinion assembly).

UltraTRUE™ Size 10

Helical True™ Planetary Gearheads

Metric



Ratio ¹	Dimension 'L' mm [in]	Backlash [arc-min]	Weight kg [lb]	Efficiency
4:1 to 10:1	78 [3.07]	4 max	6 [13]	95%
16:1 to 100:1	146 [5.75]	5 max	8 [18]	90%

All dimensions are: mm (inch)
 AD** = Adapter length
 Adapter length and width will vary depending on motor.
 M.S.= Mounting Surface
 Efficiency is calculated at 100% of the rated torque.

Performance Specifications

Part Number	Ratio ¹	10,000 Hour Life			T peak Nm [in-lb]	20,000 Hour Life			J kg-cm ² [in-lb-sec ² x10 ⁻⁴]	Torsional Stiffness Nm/arc-min [in-lb/arc-min]
		T _r (1000 rpm) Nm [in-lb]	T _r (3000 rpm) Nm [in-lb]	T _r (5000 rpm) Nm [in-lb]		T _r (1000 rpm) Nm [in-lb]	T _r (3000 rpm) Nm [in-lb]	T _r (5000 rpm) Nm [in-lb]		
UT010-004	4:1	252 [2229]	217 [1922]	186 [1649]	514 [4548]	245 [2171]	176 [1561]	151 [1340]	1,58 [14.0]	25,7 [227]
UT010-005	5:1	245 [2168]	220 [1950]	194 [1720]	501 [4434]	240 [2120]	184 [1628]	158 [1397]	1,36 [12.0]	22,8 [202]
UT010-007	7:1	234 [2074]	213 [1882]	201 [1780]	481 [4256]	229 [2028]	196 [1736]	168 [1489]	,97 [8.6]	21,1 [187]
UT010-010	10:1	138 [1220]	118 [1048]	110 [971]	457 [4044]	128 [1129]	110 [969]	102 [898]	,90 [8.0]	14,4 [128]
UT010-016	16:1	279 [2471]	258 [2284]	247 [2184]	575 [5085]	273 [2416]	252 [2233]	229 [2030]	1,10 [9.7]	27,3 [242]
UT010-020	20:1	283 [2505]	263 [2325]	252 [2229]	582 [5152]	277 [2450]	257 [2273]	245 [2171]	1,10 [9.7]	24,3 [215]
UT010-025	25:1	274 [2422]	255 [2256]	245 [2168]	562 [4974]	268 [2368]	249 [2206]	240 [2120]	1,10 [9.7]	24,3 [215]
UT010-028	28:1	289 [2554]	269 [2384]	259 [2293]	592 [5242]	282 [2498]	263 [2331]	253 [2242]	,94 [8.3]	21,1 [187]
UT010-035	35:1	279 [2468]	261 [2310]	252 [2227]	571 [5054]	273 [2413]	255 [2259]	246 [2177]	,79 [7.0]	20,9 [185]
UT010-040	40:1	294 [2604]	276 [2442]	266 [2357]	602 [5327]	288 [2546]	270 [2388]	260 [2305]	,79 [7.0]	27,4 [243]
UT010-050	50:1	284 [2514]	267 [2364]	258 [2286]	579 [5128]	278 [2458]	261 [2312]	253 [2235]	,78 [6.9]	24,1 [213]
UT010-070	70:1	269 [2380]	254 [2246]	246 [2177]	546 [4832]	263 [2327]	248 [2197]	241 [2129]	,78 [6.9]	21,1 [187]
UT010-100	100:1	184 [1626]	161 [1423]	151 [1335]	510 [4510]	170 [1504]	149 [1317]	140 [1235]	,78 [6.9]	17,2 [152]

All ratios are available to ship in 24 hours through the Gearhead Express Program.

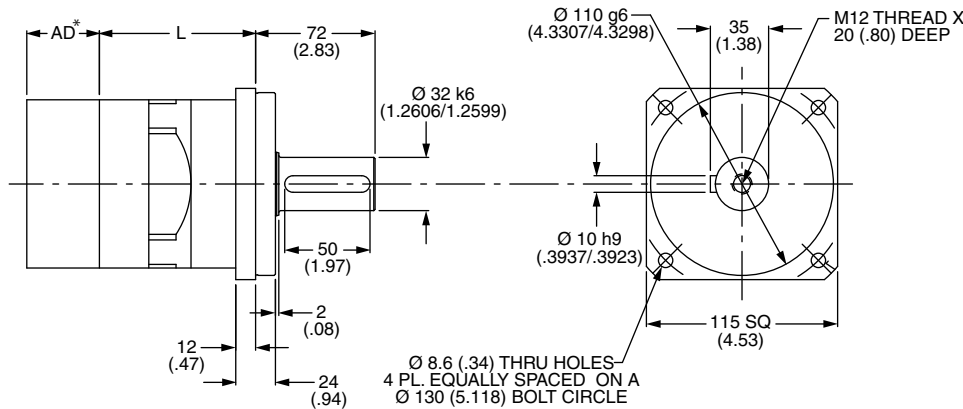
¹ Ratios are exact, higher ratios are also available, consult factory.
 T_r = Rated output torque at rated speed for specific hours of life.

T_{peak} = Allowable momentary peak torque for emergency stop or heavy shock loading.
 J = Mass moment of inertia reflected to the input shaft (including pinion assembly).

UltraTRUE™ Size 115

Helical True™ Planetary Gearheads

Metric



Ratio ¹	Dimension 'L' mm [in]	Backlash [arc-min]	Weight kg [lb]	Efficiency
4:1 to 10:1	94 [3.70]	4 max	6 [13]	95%
16:1 to 100:1	162 [6.38]	5 max	6 [18]	88%

All dimensions are: mm (inch)
 AD** = Adapter length
 Adapter length and width will vary depending on motor.
 M.S.= Mounting Surface
 Efficiency is calculated at 100% of the rated torque.

Performance Specifications

Part Number	Ratio ¹	10,000 Hour Life			T _{peak} Nm [in-lb]	20,000 Hour Life			J kg-cm ² [in-lb-sec ² x10 ⁻⁴]	Torsional Stiffness Nm/arc-min [in-lb/arc-min]
		T _r (1000 rpm) Nm [in-lb]	T _r (3000 rpm) Nm [in-lb]	T _r (5000 rpm) Nm [in-lb]		T _r (1000 rpm) Nm [in-lb]	T _r (3000 rpm) Nm [in-lb]	T _r (5000 rpm) Nm [in-lb]		
UT115-004	4:1	252 [2229]	217 [1922]	186 [1649]	514 [4548]	245 [2171]	176 [1561]	151 [1340]	1,58 [14.0]	25,7 [227]
UT115-005	5:1	245 [2168]	220 [1950]	194 [1720]	501 [4434]	240 [2120]	184 [1628]	158 [1397]	1,36 [12.0]	22,8 [202]
UT115-007	7:1	234 [2074]	213 [1882]	201 [1780]	481 [4256]	229 [2028]	196 [1736]	168 [1489]	,97 [8.6]	21,1 [187]
UT115-010	10:1	138 [1220]	118 [1048]	110 [971]	457 [4044]	128 [1129]	110 [969]	102 [898]	,90 [8.0]	14,4 [128]
UT115-016	16:1	279 [2471]	258 [2284]	247 [2184]	575 [5085]	273 [2416]	252 [2233]	229 [2030]	1,10 [9.7]	27,3 [242]
UT115-020	20:1	283 [2505]	263 [2325]	252 [2229]	582 [5152]	277 [2450]	257 [2273]	245 [2171]	1,10 [9.7]	24,3 [215]
UT115-025	25:1	274 [2422]	255 [2256]	245 [2168]	562 [4974]	268 [2368]	249 [2206]	240 [2120]	1,10 [9.7]	24,3 [215]
UT115-028	28:1	289 [2554]	269 [2384]	259 [2293]	592 [5242]	282 [2498]	263 [2331]	253 [2242]	,94 [8.3]	21,1 [187]
UT115-035	35:1	279 [2468]	261 [2310]	252 [2227]	571 [5054]	273 [2413]	255 [2259]	246 [2177]	,79 [7.0]	20,9 [185]
UT115-040	40:1	294 [2604]	276 [2442]	266 [2357]	602 [5327]	288 [2546]	270 [2388]	260 [2305]	,79 [7.0]	27,4 [243]
UT115-050	50:1	284 [2514]	267 [2364]	258 [2286]	579 [5128]	278 [2458]	261 [2312]	253 [2235]	,78 [6.9]	24,1 [213]
UT115-070	70:1	269 [2380]	254 [2246]	246 [2177]	546 [4832]	263 [2327]	248 [2197]	241 [2129]	,78 [6.9]	21,1 [187]
UT115-100	100:1	184 [1626]	161 [1423]	151 [1335]	510 [4510]	170 [1504]	149 [1317]	140 [1235]	,78 [6.9]	17,2 [152]

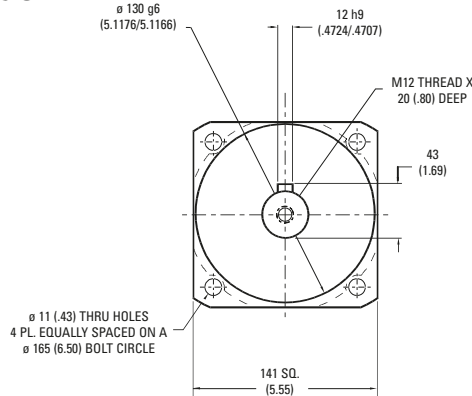
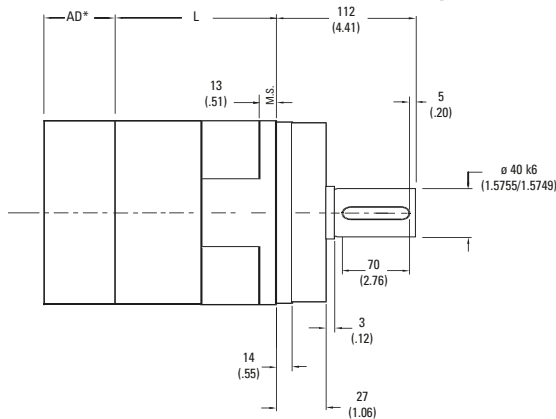
¹ Ratios are exact, higher ratios are also available, consult factory.
 T_r = Rated output torque at rated speed for specific hours of life.

T_{peak} = Allowable momentary peak torque for emergency stop or heavy shock loading.
 J = Mass moment of inertia reflected to the input shaft (including pinion assembly).

UltraTRUE™ Size 14

Helical True™ Planetary Gearheads

Metric



Ratio ¹	Dimension 'L' mm [in]	Backlash [arc-min]	Weight kg [lb]	Efficiency
4:1 to 10:1	110,5 [4.35]	4 max	14 [31]	95%
16:1 to 100:1	195 [7.69]	5 max	18 [40]	90%

All dimensions are: mm (inch)
 AD** = Adapter length
 Adapter length and width will vary depending on motor.
 M.S.= Mounting Surface
 Efficiency is calculated at 100% of the rated torque.

Performance Specifications

Part Number	Ratio ¹	10,000 Hour Life			T peak Nm [in-lb]	20,000 Hour Life			J kg-cm ² [in-lb-sec ² x10 ⁻⁴]	Torsional Stiffness Nm/arc-min [in-lb/arc-min]
		T _r (1000 rpm) Nm [in-lb]	T _r (3000 rpm) Nm [in-lb]	T _r (5000 rpm) Nm [in-lb]		T _r (1000 rpm) Nm [in-lb]	T _r (3000 rpm) Nm [in-lb]	T _r (5000 rpm) Nm [in-lb]		
UT014-004	4:1	588 [5207]	521 [4613]	454 [4022]	1184 [10,479]	575 [5092]	430 [3808]	369 [3267]	6,51 [57.6]	55 [487]
UT014-005	5:1	572 [5066]	511 [4519]	474 [4191]	1156 [10,229]	560 [4954]	448 [3968]	385 [3404]	5,02 [44.4]	51 [452]
UT014-007	7:1	549 [4857]	494 [4375]	466 [4120]	1113 [9851]	537 [4749]	478 [4232]	410 [3631]	3,80 [33.6]	47 [420]
UT014-010	10:1	329 [2913]	282 [2492]	260 [2304]	1062 [9399]	305 [2696]	261 [2306]	241 [2132]	3,39 [30.0]	35 [311]
UT014-016	16:1	657 [5817]	604 [5346]	576 [5095]	1340 [11,860]	643 [5688]	591 [5227]	559 [4951]	4,21 [37.2]	58 [514]
UT014-020	20:1	667 [5902]	616 [5449]	588 [5207]	1360 [12,035]	652 [5772]	602 [5328]	575 [5092]	4,07 [36.0]	54 [479]
UT014-025	25:1	645 [5706]	598 [5288]	572 [5066]	1314 [11,625]	630 [5579]	584 [5171]	560 [4954]	4,07 [36.0]	54 [479]
UT014-028	28:1	681 [6026]	632 [5597]	607 [5369]	1387 [12,274]	666 [5892]	618 [5473]	593 [5250]	3,53 [31.2]	47 [417]
UT014-035	35:1	658 [5820]	613 [5424]	589 [5215]	1338 [11,837]	643 [5691]	599 [5304]	576 [5099]	2,99 [26.4]	44 [391]
UT014-040	40:1	695 [6150]	649 [5745]	625 [5530]	1412 [12,498]	680 [6014]	635 [5617]	611 [5408]	2,99 [26.4]	58 [512]
UT014-050	50:1	671 [5935]	628 [5560]	606 [5363]	1360 [12,034]	656 [5803]	614 [5437]	593 [5244]	2,85 [25.2]	54 [479]
UT014-070	70:1	635 [5623]	598 [5291]	578 [5118]	1283 [11,359]	621 [5499]	585 [5174]	565 [5004]	2,85 [25.2]	49 [435]
UT014-100	100:1	441 [3898]	385 [3407]	361 [3193]	1201 [10,627]	408 [3607]	356 [3153]	334 [2954]	2,85 [25.2]	35 [312]

All ratios are available to ship in 24 hours through the Gearhead Express Program.

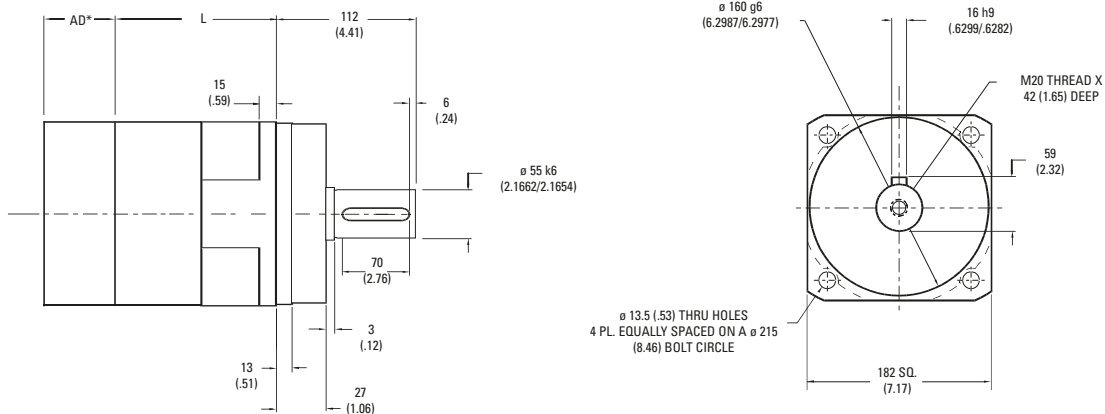
¹ Ratios are exact, higher ratios are also available, consult factory.
 T_r = Rated output torque at rated speed for specific hours of life.

T_{peak} = Allowable momentary peak torque for emergency stop or heavy shock loading.
 J = Mass moment of inertia reflected to the input shaft (including pinion assembly).

UltraTRUE™ Size 18

Helical True™ Planetary Gearheads

Metric



Ratio ¹	Dimension 'L' in [mm]	Backlash [arc-min]	Weight lb [kg]	Efficiency
4:1 to 10:1	136 [5.35]	4 max	40 [88]	95%
16:1 to 100:1	242 [9.54]	5 max	45 [99]	90%

All dimensions are: mm (inch)
 AD** = Adapter length
 Adapter length and width will vary depending on motor.
 M.S.= Mounting Surface
 Efficiency is calculated at 100% of the rated torque.

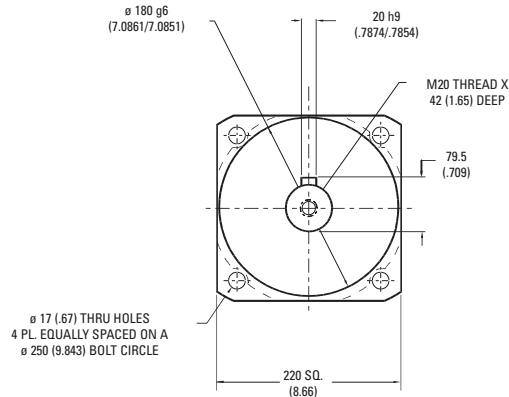
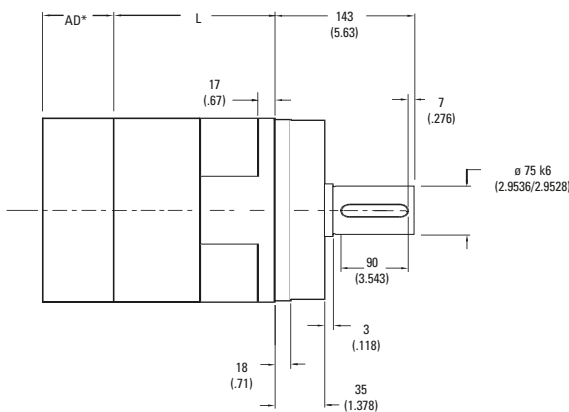
Performance Specifications

Part Number	Ratio ¹	10,000 Hour Life			T peak Nm [in-lb]	20,000 Hour Life			J kg-cm ² [in-lb-sec ² x10 ⁻⁴]	Torsional Stiffness Nm/arc-min [in-lb/arc-min]
		T _r (1000 rpm) Nm [in-lb]	T _r (3000 rpm) Nm [in-lb]	T _r (5000 rpm) Nm [in-lb]		T _r (1000 rpm) Nm [in-lb]	T _r (3000 rpm) Nm [in-lb]	T _r (5000 rpm) Nm [in-lb]		
UT018-004	4:1	1368 [12108]	1184 [10476]	1016 [8988]	2713 [24010]	1337 [11832]	962 [8509]	825 [7300]	25,9 [229]	153 [1358]
UT018-005	5:1	1333 [11800]	1179 [10430]	1058 [9366]	2654 [23492]	1304 [11539]	1002 [8868]	860 [7608]	20,0 [177]	150 [1330]
UT018-007	7:1	1281 [11338]	1144 [10128]	1073 [9494]	2565 [22699]	1253 [11087]	1069 [9458]	917 [8114]	14,6 [129]	134 [1185]
UT018-010	10:1	775 [6856]	660 [5841]	609 [5387]	2456 [21734]	717 [6344]	611 [5404]	563 [4984]	13,0 [115]	101 [893]
UT018-016	16:1	1541 [13641]	1408 [12457]	1336 [11827]	3111 [27532]	1507 [13339]	1376 [12181]	1250 [11065]	16,1 [142]	161 [1429]
UT018-020	20:1	1566 [13855]	1437 [12716]	1368 [12108]	3162 [27986]	1531 [13549]	1405 [12434]	1337 [11832]	15,6 [138]	156 [1382]
UT018-025	25:1	1515 [13407]	1396 [12359]	1333 [11800]	3060 [27078]	1481 [13110]	1366 [12085]	1304 [11539]	15,6 [138]	131 [1160]
UT018-028	28:1	1600 [14164]	1479 [13088]	1414 [12515]	3233 [28612]	1565 [13851]	1446 [12798]	1383 [12237]	13,5 [119]	138 [1225]
UT018-035	35:1	1547 [13691]	1435 [12701]	1376 [12174]	3122 [27633]	1513 [13388]	1403 [12420]	1345 [11904]	11,4 [101]	124 [1098]
UT018-040	40:1	1636 [14475]	1521 [13460]	1460 [12920]	3300 [29201]	1599 [14154]	1487 [13162]	1428 [12634]	11,4 [101]	161 [1429]
UT018-050	50:1	1579 [13978]	1474 [13042]	1418 [12547]	3181 [28153]	1544 [13668]	1441 [12754]	1386 [12269]	10,9 [96]	156 [1382]
UT018-070	70:1	1498 [13256]	1404 [12429]	1355 [11993]	3008 [26621]	1465 [12963]	1373 [12154]	1325 [11728]	10,9 [96]	138 [1225]
UT018-100	100:1	1042 [9218]	909 [8043]	851 [7528]	2819 [24949]	964 [8529]	841 [7442]	787 [6966]	10,9 [96]	103 [908]

UltraTRUE™ Size 22

Helical True™ Planetary Gearheads

Metric



Ratio ¹	Dimension 'L' mm [in]	Backlash [arc-min]	Weight kg [lb]	Efficiency
4:1 to 10:1	143 [5.62]	4 max	74 [162]	93%
16:1 to 100:1	244 [9.59]	5 max	95 [209]	88%

All dimensions are: mm (inch)
 AD** = Adapter length
 Adapter length will vary depending on motor.
 M.S.= Mounting Surface
 Efficiency is calculated at 100% of the rated torque.

Performance Specifications

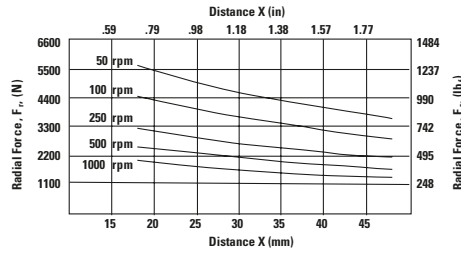
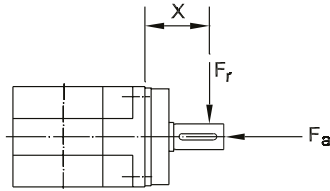
Part Number	Ratio ¹	10,000 Hour Life			T peak Nm [in-lb]	20,000 Hour Life			J kg-cm ² [in-lb-sec ² x10 ⁻⁴]	Torsional Stiffness Nm/arc-min [in-lb/arc-min]
		T _r (1000 rpm) Nm [in-lb]	T _r (3000 rpm) Nm [in-lb]	T _r (5000 rpm) Nm [in-lb]		T _r (1000 rpm) Nm [in-lb]	T _r (3000 rpm) Nm [in-lb]	T _r (5000 rpm) Nm [in-lb]		
UT022-004	4:1	2256 [19694]	1786 [15806]	1532 [13560]	4644 [41096]	2017 [17850]	1451 [12838]	1245 [11014]	87,0 [7.70]	429 [3793]
UT022-005	5:1	2181 [19300]	1862 [16475]	1596 [14125]	4548 [40250]	2102 [18600]	1511 [13375]	1297 [11475]	73,4 [6.50]	414 [3661]
UT022-007	7:1	2090 [18496]	1857 [16432]	1703 [15073]	4370 [38671]	2042 [18075]	1613 [14271]	1383 [12243]	62,6 [5.55]	363 [3212]
UT022-010	10:1	1263 [11178]	1072 [9488]	987 [8737]	4301 [38060]	1167 [10325]	992 [8779]	914 [8085]	56,9 [5.04]	253 [2235]
UT022-016	16:1	2521 [20292]	2293 [20292]	2170 [19202]	5247 [46437]	2464 [21805]	2199 [19459]	1886 [16694]	87,3 [7.73]	436 [3858]
UT022-020	20:1	2561 [20732]	2343 [20732]	2224 [19683]	5323 [47107]	2504 [22164]	2291 [20273]	2017 [17850]	73,6 [6.52]	436 [3856]
UT022-025	25:1	2484 [20205]	2283 [20205]	2174 [19239]	5151 [45583]	2427 [21480]	2232 [19757]	2102 [18605]	73,1 [6.47]	418 [3699]
UT022-028	28:1	2620 [21365]	2414 [21365]	2302 [20375]	5427 [48027]	2560 [22660]	2361 [20892]	2231 [19476]	62,7 [5.55]	435 [3854]
UT022-035	35:1	2541 [20788]	2349 [20788]	2246 [19878]	5243 [46397]	2481 [21961]	2297 [20327]	2196 [19438]	62,5 [5.53]	418 [3698]
UT022-040	40:1	2680 [21998]	2486 [21998]	2381 [21069]	5524 [48888]	2619 [23182]	2431 [21510]	2328 [20602]	57,2 [5.06]	435 [3851]
UT022-050	50:1	2595 [21371]	2415 [21371]	2318 [20516]	5328 [47156]	2536 [22443]	2361 [20898]	2267 [20062]	57,1 [5.05]	418 [3696]
UT022-070	70:1	2461 [20373]	2302 [20373]	2217 [19623]	5025 [44470]	2405 [21288]	2251 [19922]	2168 [19189]	57,0 [5.04]	366 [3226]
UT022-100	100:1	1666 [13121]	1483 [13121]	1387 [12273]	4852 [42941]	1571 [13902]	1369 [12116]	1283 [11356]	56,9 [5.04]	253 [2238]

¹ Ratios are exact, higher ratios are also available, consult factory.
 T_r = Rated output torque at rated speed for specific hours of life.

T_{peak} = Allowable momentary peak torque for emergency stop or heavy shock loading.
 J = Mass moment of inertia reflected to the input shaft (including pinion assembly).

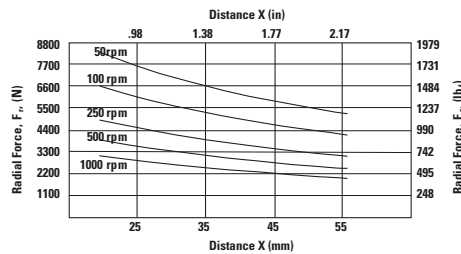
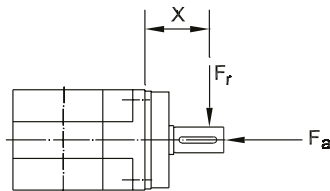
Radial and Axial Load Ratings

UT006



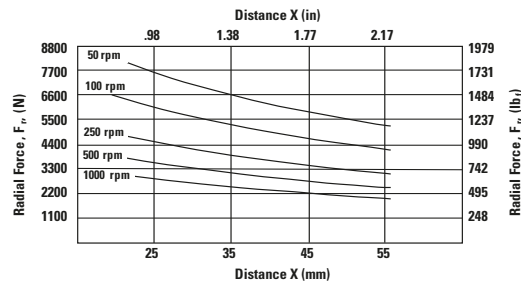
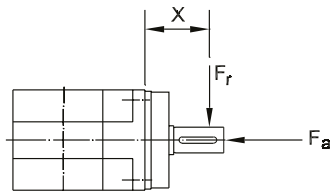
Speed rpm	Axial Load, F_a N [lb _f]
50	7198 [1618]
100	5710 [1284]
250	4208 [946]
500	3342 [751]
1000	2652 [596]

UT075



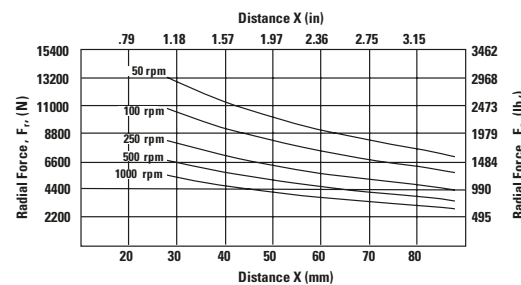
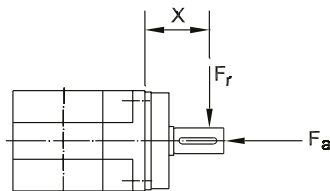
Speed rpm	Axial Load, F_a N [lb _f]
50	9903 [2227]
100	7863 [1768]
250	5793 [1303]
500	4599 [1034]
1000	3650 [821]

UT090



Speed rpm	Axial Load, F_a N [lb _f]
50	9903 [2227]
100	7863 [1768]
250	5793 [1303]
500	4599 [1034]
1000	3650 [821]

UT010

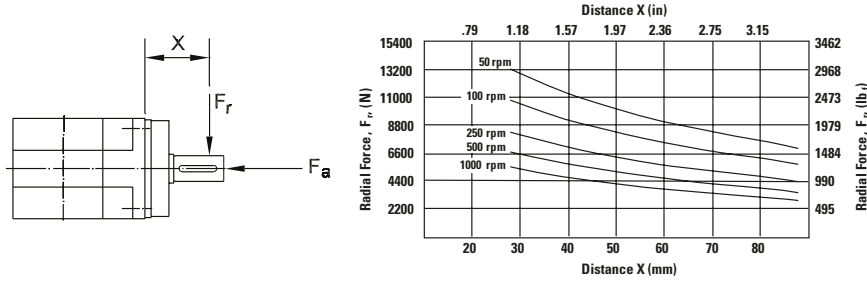


Speed rpm	Axial Load, F_a N [lb _f]
50	13,675 [3075]
100	11,107 [2497]
250	8435 [1897]
500	6855 [1542]
1000	5568 [1252]

These graphs display the allowable radial load at a given distance (X) from the mounting surface based on an L_{10} life of 10,000 hours for the mean output speed n_{mout} , as described on page 9.

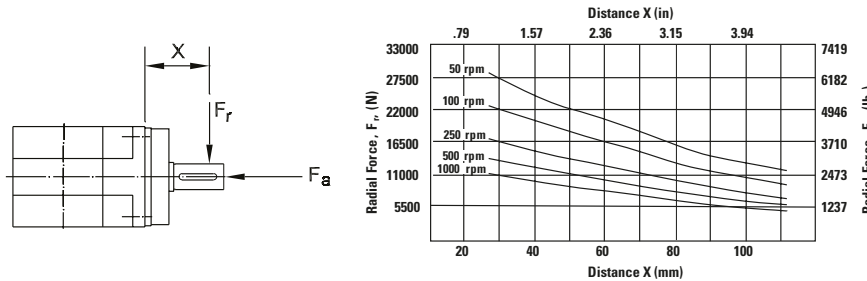
Radial and Axial Load Ratings

UT115



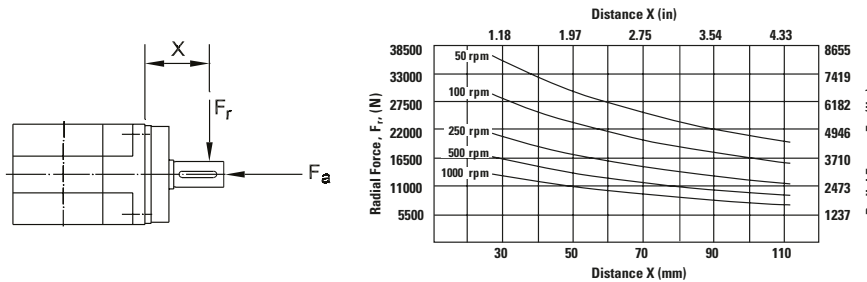
Speed rpm	Axial Load, F_a N [lb _f]
50	13,675 [3075]
100	11,107 [2497]
250	8435 [1897]
500	6855 [1542]
1000	5568 [1252]

UT014



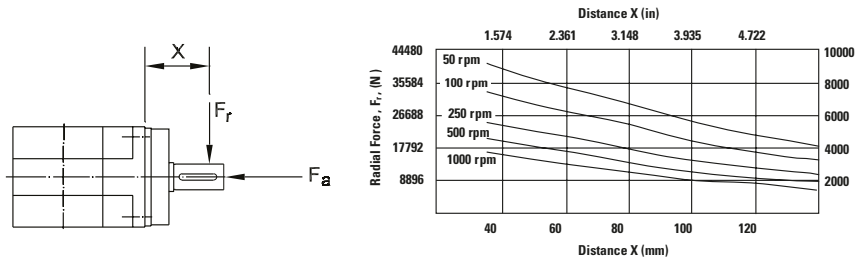
Speed rpm	Axial Load, F_a N [lb _f]
50	25,374 [5705]
100	20,609 [4633]
250	15,657 [3520]
500	12,716 [2859]
1000	10,329 [2322]

UT018



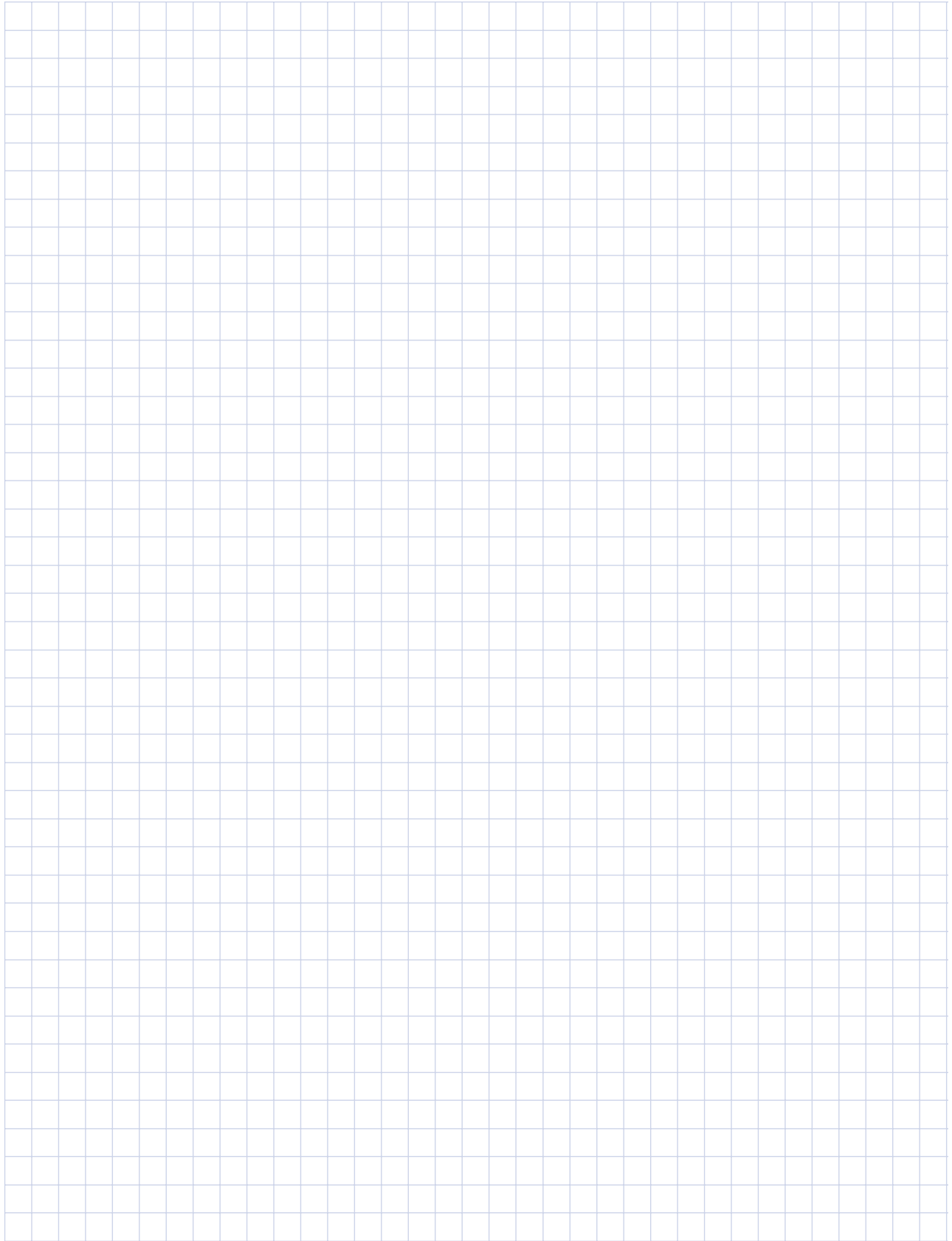
Speed rpm	Axial Load, F_a N [lb _f]
50	34,538 [7765]
100	27,414 [6163]
250	20,197 [4541]
500	16,034 [3605]
1000	12,726 [2861]

UT022



Speed rpm	Axial Load, F_a N [lb _f]
50	32,351 [3655]
100	26,277 [2969]
250	19,962 [2256]
500	16,214 [1832]

These graphs display the allowable radial load at a given distance (X) from the mounting surface based on an L_{10} life of 10,000 hours for the mean output speed n_{mout} , as described on page 9.

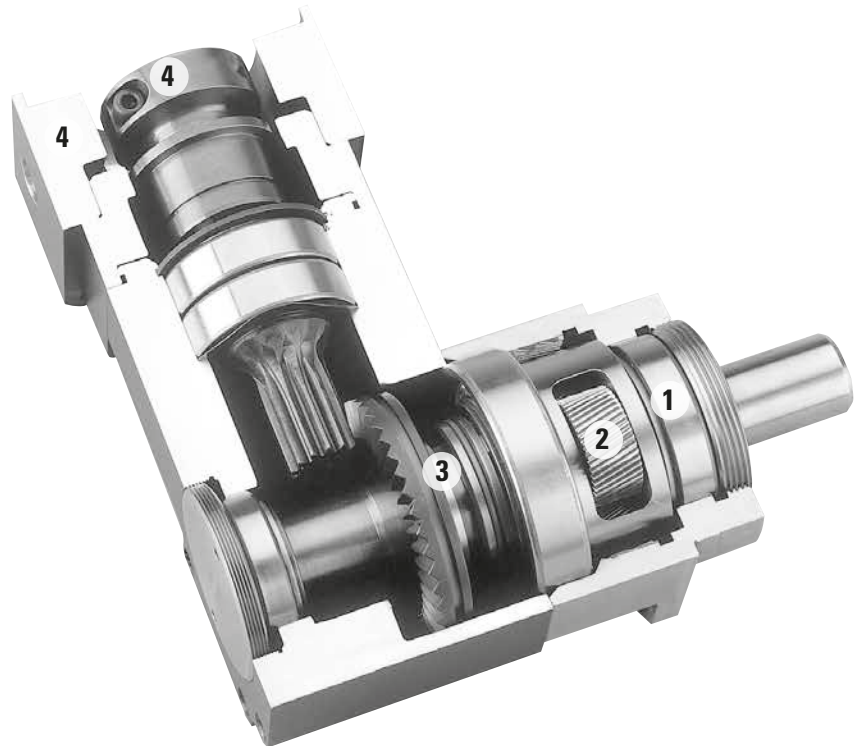


UltraTRUE 90™

Helical Right Angle Gearheads

Ready for Immediate Delivery	
Precision	4 arc-minutes
Frame Sizes	60mm, 75mm, 90mm, 100mm, 115mm, 142mm and 180mm
Torque Capacity	up to 3111 Nm
Ratio Availability	1:1 thru 50:1
Radial load capacity	up to 37910 N
Mounting System	RediMount™

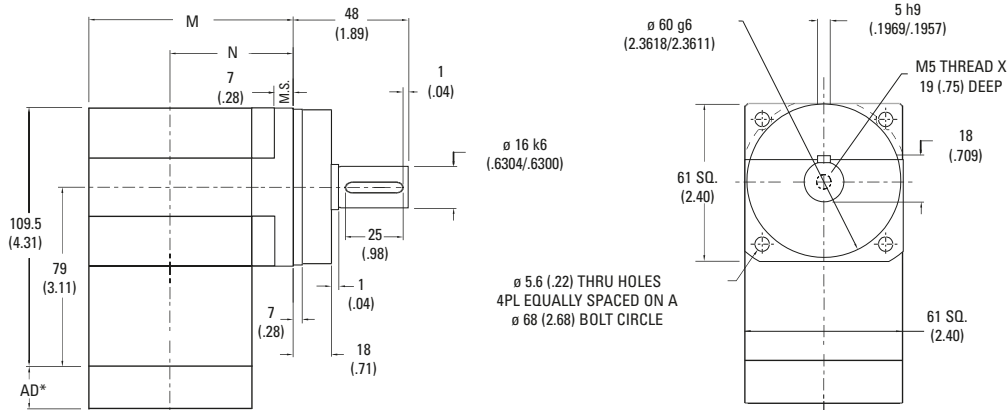
- 1 Tapered roller bearings**
provide high axial and radial load carrying capacity
- 2 Helical crowned**
HRC 55-60 steel gears
provide higher torque capacity and smoother operation
- 3 PowerTRUE™ gear technology**
provides high torque capacity in a compact package
- 4 RediMount system**
provides error-free motor installation



UltraTRUE 90™ Size 60

Helical Right Angle Gearheads

Metric



Ratio ¹	Dimension 'M' mm [in]	Dimension 'N' mm [in]	Backlash [arc-min]	Weight kg [lb]	Efficiency
1:1 to 5:1	86 [3.38]	55 [2.18]	4 max	2,5 [5.5]	98%
8:1 to 50:1	95 [3.75]	65 [2.55]	5 max	3 [6.6]	93%

All dimensions are: mm (inch)
 AD** = Adapter length
 Adapter length will vary depending on motor.
 M.S.= Mounting Surface
 Efficiency is calculated at 100% of the rated torque.

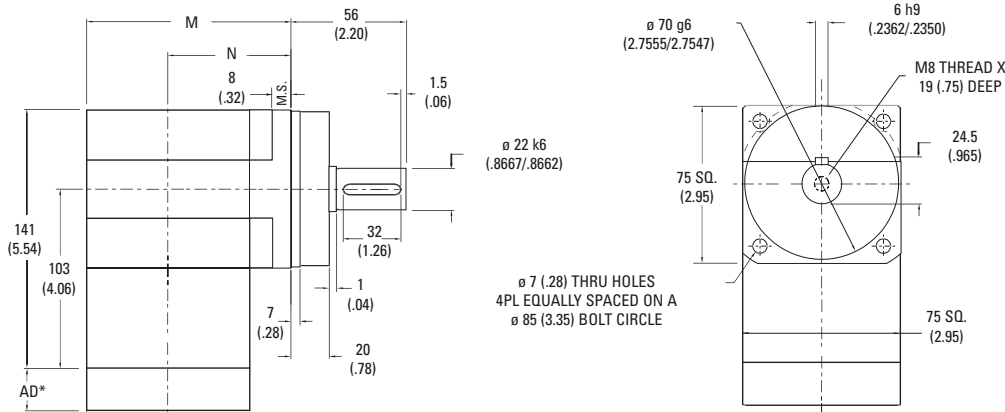
Performance Specifications

Part Number	Ratio ¹	10,000 Hour Life			T peak Nm [in-lb]	20,000 Hour Life			J kg-cm ² [in-lb-sec ² x10 ⁻⁴]	Torsional Stiffness Nm/arc-min [in-lb/arc-min]
		T _r (1000 rpm) Nm [in-lb]	T _r (3000 rpm) Nm [in-lb]	T _r (5000 rpm) Nm [in-lb]		T _r (1000 rpm) Nm [in-lb]	T _r (3000 rpm) Nm [in-lb]	T _r (5000 rpm) Nm [in-lb]		
UTR006-001	1:1	9 [77]	8 [70]	7 [64]	28 [247]	8 [71]	7 [65]	7 [59]	,97 [8.4]	2,1 [19]
UTR006-002	2:1	19 [170]	17 [155]	16 [140]	52 [456]	18 [157]	16 [143]	15 [129]	,50 [4.3]	3,2 [29]
UTR006-003	3:1	12 [108]	11 [99]	10 [89]	39 [342]	11 [100]	10 [91]	9 [82]	,43 [3.7]	3,6 [32]
UTR006-004	4:1	9 [80]	8 [73]	7 [66]	34 [301]	8 [73]	8 [67]	7 [61]	,40 [3.4]	3,8 [34]
UTR006-005	5:1	7 [65]	7 [60]	6 [54]	26 [228]	7 [60]	6 [55]	6 [50]	,39 [3.4]	3,9 [35]
UTR006-008	8:1	51 [447]	47 [413]	45 [394]	106 [938]	49 [438]	45 [397]	38 [340]	,50 [4.4]	2,1 [18]
UTR006-010	10:1	49 [433]	45 [401]	43 [384]	102 [906]	48 [423]	44 [392]	40 [355]	,49 [4.4]	1,8 [16]
UTR006-012	12:1	49 [432]	45 [394]	40 [356]	109 [961]	45 [399]	41 [364]	37 [329]	,39 [3.5]	2,0 [18]
UTR006-014	14:1	46 [411]	43 [383]	42 [368]	97 [860]	45 [402]	42 [374]	41 [360]	,49 [4.4]	2,4 [22]
UTR006-015	15:1	50 [443]	47 [413]	45 [397]	105 [927]	49 [433]	46 [404]	44 [388]	,39 [3.4]	2,4 [21]
UTR006-016	16:1	36 [318]	33 [290]	30 [262]	110 [975]	33 [294]	30 [268]	27 [242]	,39 [3.5]	2,4 [22]
UTR006-020	20:1	45 [398]	41 [363]	37 [328]	106 [939]	41 [367]	38 [335]	34 [303]	,39 [3.5]	2,4 [21]
UTR006-025	25:1	37 [326]	34 [298]	30 [269]	107 [948]	34 [301]	31 [275]	28 [249]	,38 [3.4]	2,3 [21]
UTR006-028	28:1	48 [427]	45 [401]	44 [388]	100 [887]	47 [417]	44 [392]	43 [379]	,39 [3.5]	2,2 [20]
UTR006-030	30:1	30 [266]	26 [232]	25 [217]	93 [822]	28 [246]	24 [215]	23 [201]	,42 [3.7]	2,3 [20]
UTR006-035	35:1	49 [432]	46 [407]	43 [377]	101 [894]	48 [422]	44 [385]	39 [348]	,38 [3.4]	2,3 [20]
UTR006-040	40:1	31 [275]	27 [240]	25 [225]	94 [830]	29 [255]	25 [223]	24 [208]	,39 [3.5]	2,4 [22]
UTR006-050	50:1	32 [283]	28 [247]	26 [232]	94 [836]	30 [262]	26 [229]	24 [215]	,38 [3.4]	2,4 [21]

UltraTRUE 90™ Size 75

Helical Right Angle Gearheads

Metric



Ratio ¹	Dimension 'M' mm [in]	Dimension 'N' mm [in]	Backlash [arc-min]	Weight kg [lb]	Efficiency
1:1 to 5:1	89 [3.51]	52 [2.04]	4 max	4.8 [10]	98%
8:1 to 50:1	114.5 [4.51]	77 [3.04]	5 max	5.3 [11.1]	93%

All dimensions are: mm (inch)
 AD** = Adapter length
 Adapter length will vary depending on motor.
 M.S.= Mounting Surface
 Efficiency is calculated at 100% of the rated torque.

Performance Specifications

Part Number	Ratio ¹	10,000 Hour Life				T _{peak} Nm [in-lb]	20,000 Hour Life			J kg-cm ² [in-lb-sec ² ×10 ⁻⁴]	Torsional Stiffness Nm/arc-min [in-lb/arc-min]
		T _r (1000 rpm) Nm [in-lb]	T _r (3000 rpm) Nm [in-lb]	T _r (5000 rpm) Nm [in-lb]	T _r (1000 rpm) Nm [in-lb]		T _r (3000 rpm) Nm [in-lb]	T _r (5000 rpm) Nm [in-lb]			
UTR075-001	1:1	25 [220]	23 [200]	20 [181]	71 [625]	23 [203]	21 [185]	19 [167]	3,7 [33]	5,1 [46]	
UTR075-002	2:1	56 [498]	51 [455]	46 [411]	159 [1410]	52 [460]	47 [420]	43 [380]	1,9 [17]	7,7 [69]	
UTR075-003	3:1	37 [329]	34 [300]	31 [271]	129 [1146]	34 [304]	31 [277]	28 [250]	1,6 [15]	8,8 [78]	
UTR075-004	4:1	28 [252]	26 [230]	23 [208]	99 [880]	26 [232]	24 [212]	22 [192]	1,5 [13]	9,2 [81]	
UTR075-005	5:1	21 [185]	19 [169]	17 [153]	83 [735]	19 [171]	18 [156]	16 [141]	1,5 [13]	9,4 [83]	
UTR075-008	8:1	91 [802]	83 [737]	79 [702]	189 [1671]	89 [785]	81 [720]	78 [686]	1,9 [17]	4,7 [41]	
UTR075-010	10:1	88 [777]	81 [716]	77 [684]	183 [1617]	86 [759]	79 [700]	76 [669]	1,9 [17]	4,1 [36]	
UTR075-012	12:1	93 [824]	86 [762]	82 [730]	194 [1715]	91 [805]	84 [746]	81 [714]	1,5 [14]	4,6 [41]	
UTR075-014	14:1	83 [738]	77 [685]	74 [657]	174 [1536]	82 [722]	76 [670]	73 [643]	1,9 [17]	6,6 [58]	
UTR075-015	15:1	90 [796]	84 [740]	80 [710]	187 [1656]	88 [779]	82 [723]	78 [694]	1,5 [13]	6,7 [59]	
UTR075-016	16:1	95 [838]	88 [780]	85 [749]	197 [1743]	93 [820]	86 [762]	83 [732]	1,5 [14]	6,7 [59]	
UTR075-020	20:1	91 [810]	85 [756]	82 [727]	190 [1681]	89 [792]	83 [739]	80 [711]	1,5 [14]	6,5 [58]	
UTR075-025	25:1	93 [820]	87 [767]	84 [740]	192 [1698]	91 [801]	85 [750]	80 [705]	1,5 [13]	6,4 [57]	
UTR075-028	28:1	87 [768]	81 [720]	79 [695]	179 [1589]	85 [751]	80 [704]	77 [679]	1,5 [14]	5,9 [52]	
UTR075-030	30:1	54 [480]	47 [418]	44 [391]	166 [1473]	50 [444]	44 [387]	41 [361]	1,6 [15]	6,3 [56]	
UTR075-035	35:1	88 [776]	83 [730]	80 [706]	181 [1603]	86 [759]	81 [714]	78 [690]	1,5 [13]	6,3 [56]	
UTR075-040	40:1	56 [497]	49 [433]	46 [406]	168 [1489]	52 [460]	45 [401]	42 [375]	1,5 [14]	6,7 [59]	
UTR075-050	50:1	58 [510]	50 [446]	47 [418]	170 [1500]	53 [472]	47 [413]	44 [387]	1,5 [13]	6,6 [58]	

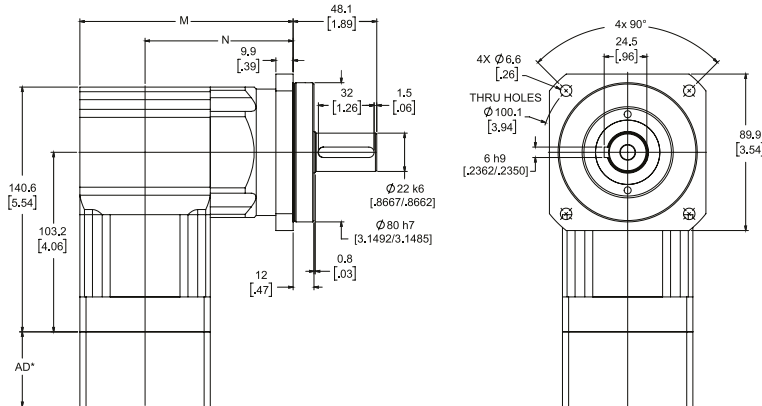
¹ Ratios are exact, higher ratios are also available, consult factory.
 T_r = Rated output torque at rated speed for specific hours of life.

T_{peak} = Allowable momentary peak torque for emergency stop or heavy shock loading.
 J = Mass moment of inertia reflected to the input shaft (including pinion assembly).

UltraTRUE 90™ Size 90

Helical Right Angle Gearheads

Metric



Ratio ¹	Dimension 'M' mm [in]	Dimension 'N' mm [in]	Backlash [arc-min]	Weight kg [lb]	Efficiency
1:1 to 5:1	97 [3.82]	60 [2.35]	4 max	4.8 [10]	98%
8:1 to 50:1	122.5 [4.82]	85 [3.35]	5 max	5.3 [11.1]	93%

All dimensions are: mm (inch)
 AD** = Adapter length
 Adapter length will vary depending on motor. M.S. = Mounting Surface
 Efficiency is calculated at 100% of the rated torque.

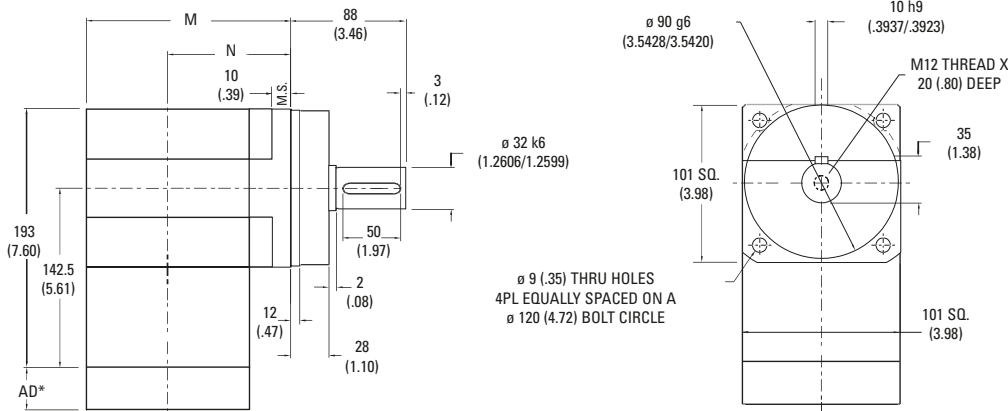
Performance Specifications

Part Number	Ratio ¹	10,000 Hour Life			T peak Nm [in-lb]	20,000 Hour Life			J kg-cm ² [in-lb-sec ² ×10 ⁻⁴]	Torsional Stiffness Nm/arc-min [in-lb/arc-min]
		T _r (1000 rpm) Nm [in-lb]	T _r (3000 rpm) Nm [in-lb]	T _r (5000 rpm) Nm [in-lb]		T _r (1000 rpm) Nm [in-lb]	T _r (3000 rpm) Nm [in-lb]	T _r (5000 rpm) Nm [in-lb]		
UTR090-001	1:1	25 [220]	23 [200]	20 [181]	71 [625]	23 [203]	21 [185]	19 [167]	3,7 [33]	5,1 [46]
UTR090-002	2:1	56 [498]	51 [455]	46 [411]	159 [1410]	52 [460]	47 [420]	43 [380]	1,9 [17]	7,7 [69]
UTR090-003	3:1	37 [329]	34 [300]	31 [271]	129 [1146]	34 [304]	31 [277]	28 [250]	1,6 [15]	8,8 [78]
UTR090-004	4:1	28 [252]	26 [230]	23 [208]	99 [880]	26 [232]	24 [212]	22 [192]	1,5 [13]	9,2 [81]
UTR090-005	5:1	21 [185]	19 [169]	17 [153]	83 [735]	19 [171]	18 [156]	16 [141]	1,5 [13]	9,4 [83]
UTR090-008	8:1	91 [802]	83 [737]	79 [702]	189 [1671]	89 [785]	81 [720]	78 [686]	1,9 [17]	4,7 [41]
UTR090-010	10:1	88 [777]	81 [716]	77 [684]	183 [1617]	86 [759]	79 [700]	76 [669]	1,9 [17]	4,1 [36]
UTR090-012	12:1	93 [824]	86 [762]	82 [730]	194 [1715]	91 [805]	84 [746]	81 [714]	1,5 [14]	4,6 [41]
UTR090-014	14:1	83 [738]	77 [685]	74 [657]	174 [1536]	82 [722]	76 [670]	73 [643]	1,9 [17]	6,6 [58]
UTR090-015	15:1	90 [796]	84 [740]	80 [710]	187 [1656]	88 [779]	82 [723]	78 [694]	1,5 [13]	6,7 [59]
UTR090-016	16:1	95 [838]	88 [780]	85 [749]	197 [1743]	93 [820]	86 [762]	83 [732]	1,5 [14]	6,7 [59]
UTR090-020	20:1	91 [810]	85 [756]	82 [727]	190 [1681]	89 [792]	83 [739]	80 [711]	1,5 [14]	6,5 [58]
UTR090-025	25:1	93 [820]	87 [767]	84 [740]	192 [1698]	91 [801]	85 [750]	80 [705]	1,5 [13]	6,4 [57]
UTR090-028	28:1	87 [768]	81 [720]	79 [695]	179 [1589]	85 [751]	80 [704]	77 [679]	1,5 [14]	5,9 [52]
UTR090-030	30:1	54 [480]	47 [418]	44 [391]	166 [1473]	50 [444]	44 [387]	41 [361]	1,6 [15]	6,3 [56]
UTR090-035	35:1	88 [776]	83 [730]	80 [706]	181 [1603]	86 [759]	81 [714]	78 [690]	1,5 [13]	6,3 [56]
UTR090-040	40:1	56 [497]	49 [433]	46 [406]	168 [1489]	52 [460]	45 [401]	42 [375]	1,5 [14]	6,7 [59]
UTR090-050	50:1	58 [510]	50 [446]	47 [418]	170 [1500]	53 [472]	47 [413]	44 [387]	1,5 [13]	6,6 [58]

UltraTRUE 90™ Size 10

Helical Right Angle Gearheads

Metric



Ratio ¹	Dimension 'M' mm [in]	Dimension 'N' mm [in]	Backlash [arc-min]	Weight kg [lb]	Efficiency
1:1 to 5:1	121 [4.75]	70 [2.76]	4 max	11 [24]	98%
8:1 to 50:1	149 [5.88]	99 [3.89]	5 max	12 [26.2]	93%

All dimensions are: mm (inch)
 AD** = Adapter length
 Adapter length will vary depending on motor.
 M.S.= Mounting Surface
 Efficiency is calculated at 100% of the rated torque.

Performance Specifications

Part Number	Ratio ¹	10,000 Hour Life			T _{peak} Nm [in-lb]	20,000 Hour Life			J kg-cm ² [in-lb-sec ² ×10 ⁻⁴]	Torsional Stiffness Nm/arc-min [in-lb/arc-min]
		T _r (1000 rpm) Nm [in-lb]	T _r (3000 rpm) Nm [in-lb]	T _r (5000 rpm) Nm [in-lb]		T _r (1000 rpm) Nm [in-lb]	T _r (3000 rpm) Nm [in-lb]	T _r (5000 rpm) Nm [in-lb]		
UTR010-001	1:1	73 [648]	67 [591]	60 [535]	232 [2052]	68 [598]	62 [546]	56 [494]	6,3 [56]	9,2 [81]
UTR010-002	2:1	131 [1157]	119 [1056]	108 [955]	323 [2856]	121 [1068]	110 [975]	100 [882]	3,2 [29]	15,0 [133]
UTR010-003	3:1	101 [898]	93 [820]	84 [741]	292 [2582]	94 [830]	86 [757]	77 [684]	2,8 [25]	17,1 [151]
UTR010-004	4:1	68 [598]	62 [546]	56 [494]	227 [2006]	62 [552]	57 [504]	51 [456]	2,6 [23]	17,9 [159]
UTR010-005	5:1	51 [449]	46 [409]	42 [370]	187 [1653]	47 [414]	43 [378]	39 [342]	2,5 [23]	18,3 [162]
UTR010-008	8:1	266 [2358]	243 [2147]	229 [2031]	547 [4844]	260 [2305]	217 [1923]	186 [1650]	3,3 [29]	16,6 [147]
UTR010-010	10:1	258 [2286]	236 [2092]	225 [1989]	531 [4701]	253 [2235]	226 [2005]	194 [1720]	3,3 [29]	13,1 [116]
UTR010-012	12:1	274 [2426]	252 [2229]	240 [2125]	564 [4992]	270 [2389]	245 [2171]	210 [1863]	2,6 [23]	18,8 [167]
UTR010-014	14:1	246 [2178]	227 [2007]	217 [1917]	506 [4481]	241 [2129]	222 [1963]	207 [1834]	3,3 [29]	23,1 [204]
UTR010-015	15:1	265 [2349]	245 [2168]	234 [2072]	546 [4832]	259 [2297]	240 [2120]	219 [1943]	2,5 [23]	24,3 [215]
UTR010-016	16:1	270 [2393]	247 [2184]	223 [1975]	575 [5085]	250 [2210]	228 [2016]	206 [1823]	2,6 [23]	24,8 [220]
UTR010-020	20:1	270 [2391]	251 [2219]	240 [2127]	555 [4916]	264 [2338]	245 [2170]	235 [2080]	2,6 [23]	22,1 [196]
UTR010-025	25:1	253 [2243]	231 [2047]	209 [1851]	562 [4974]	234 [2072]	214 [1890]	193 [1709]	2,5 [23]	22,1 [196]
UTR010-028	28:1	256 [2270]	239 [2119]	230 [2038]	526 [4659]	251 [2220]	234 [2072]	225 [1993]	2,6 [23]	19,2 [170]
UTR010-030	30:1	159 [1405]	138 [1220]	129 [1139]	488 [4317]	147 [1300]	128 [1129]	119 [1054]	2,8 [25]	19,1 [169]
UTR010-035	35:1	260 [2298]	243 [2152]	234 [2074]	532 [4707]	254 [2248]	238 [2104]	229 [2028]	2,5 [23]	19,0 [168]
UTR010-040	40:1	164 [1456]	143 [1267]	134 [1184]	494 [4372]	152 [1347]	132 [1173]	124 [1096]	2,6 [23]	24,9 [221]
UTR010-050	50:1	169 [1496]	147 [1304]	138 [1220]	498 [4410]	156 [1384]	136 [1207]	128 [1129]	2,5 [23]	21,9 [194]

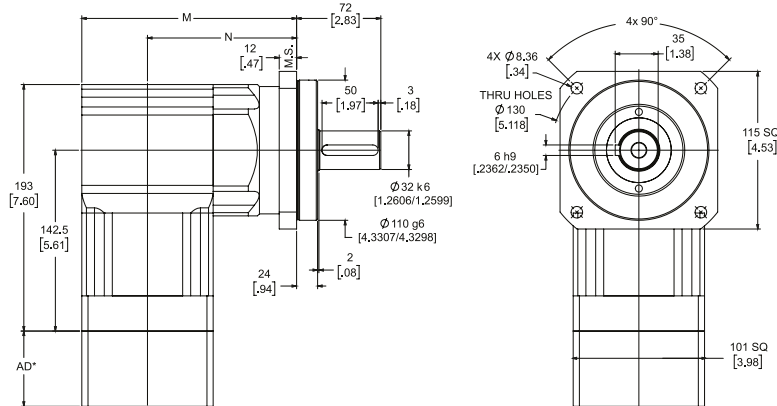
¹ Ratios are exact, higher ratios are also available, consult factory.
 T_r = Rated output torque at rated speed for specific hours of life.

T_{peak} = Allowable momentary peak torque for emergency stop or heavy shock loading.
 J = Mass moment of inertia reflected to the input shaft (including pinion assembly).

UltraTRUE 90™ Size 115

Helical Right Angle Gearheads

Metric



Ratio ¹	Dimension 'M' mm [in]	Dimension 'N' mm [in]	Backlash [arc-min]	Weight kg [lb]	Efficiency
1:1 to 5:1	136,7 [5.38]	86 [3.39]	4 max	11 [24]	98%
8:1 to 50:1	165 [6.51]	114,8 [4.52]	5 max	12 [26.2]	93%

All dimensions are: mm (inch)
 AD** = Adapter length
 Adapter length will vary depending on motor.
 M.S.= Mounting Surface
 Efficiency is calculated at 100% of the rated torque.

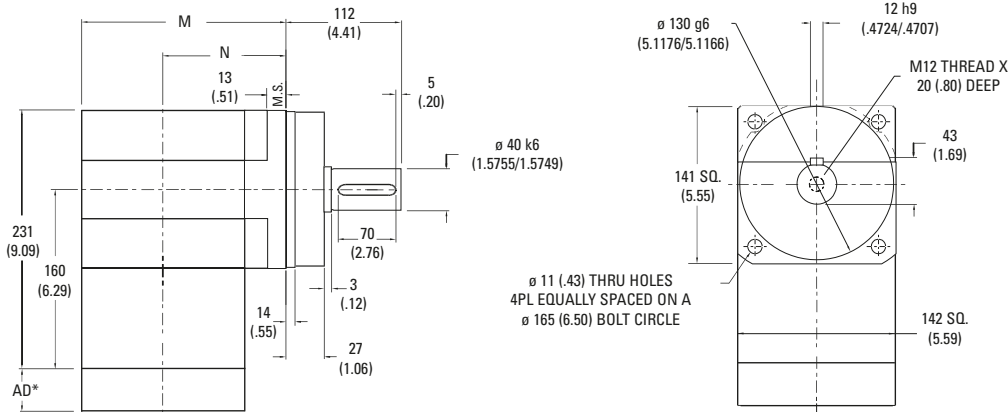
Performance Specifications

Part Number	Ratio ¹	10,000 Hour Life			T peak Nm [in-lb]	20,000 Hour Life			J kg-cm ² [in-lb-sec ² x10 ⁻⁴]	Torsional Stiffness Nm/arc-min [in-lb/arc-min]
		T _r (1000 rpm) Nm [in-lb]	T _r (3000 rpm) Nm [in-lb]	T _r (5000 rpm) Nm [in-lb]		T _r (1000 rpm) Nm [in-lb]	T _r (3000 rpm) Nm [in-lb]	T _r (5000 rpm) Nm [in-lb]		
UTR115-001	1:1	73 [648]	67 [591]	60 [535]	232 [2052]	68 [598]	62 [546]	56 [494]	6,3 [56]	9,2 [81]
UTR115-002	2:1	131 [1157]	119 [1056]	108 [955]	323 [2856]	121 [1068]	110 [975]	100 [882]	3,2 [29]	15,0 [133]
UTR115-003	3:1	101 [898]	93 [820]	84 [741]	292 [2582]	94 [830]	86 [757]	77 [684]	2,8 [25]	17,1 [151]
UTR115-004	4:1	68 [598]	62 [546]	56 [494]	227 [2006]	62 [552]	57 [504]	51 [456]	2,6 [23]	17,9 [159]
UTR115-005	5:1	51 [449]	46 [409]	42 [370]	187 [1653]	47 [414]	43 [378]	39 [342]	2,5 [23]	18,3 [162]
UTR115-008	8:1	266 [2358]	243 [2147]	229 [2031]	547 [4844]	260 [2305]	217 [1923]	186 [1650]	3,3 [29]	16,6 [147]
UTR115-010	10:1	258 [2286]	236 [2092]	225 [1989]	531 [4701]	253 [2235]	226 [2005]	194 [1720]	3,3 [29]	13,1 [116]
UTR115-012	12:1	274 [2426]	252 [2229]	240 [2125]	564 [4992]	270 [2389]	245 [2171]	210 [1863]	2,6 [23]	18,8 [167]
UTR115-014	14:1	246 [2178]	227 [2007]	217 [1917]	506 [4481]	241 [2129]	222 [1963]	207 [1834]	3,3 [29]	23,1 [204]
UTR115-015	15:1	265 [2349]	245 [2168]	234 [2072]	546 [4832]	259 [2297]	240 [2120]	219 [1943]	2,5 [23]	24,3 [215]
UTR115-016	16:1	270 [2393]	247 [2184]	223 [1975]	575 [5085]	250 [2210]	228 [2016]	206 [1823]	2,6 [23]	24,8 [220]
UTR115-020	20:1	270 [2391]	251 [2219]	240 [2127]	555 [4916]	264 [2338]	245 [2170]	235 [2080]	2,6 [23]	22,1 [196]
UTR115-025	25:1	253 [2243]	231 [2047]	209 [1851]	562 [4974]	234 [2072]	214 [1890]	193 [1709]	2,5 [23]	22,1 [196]
UTR115-028	28:1	256 [2270]	239 [2119]	230 [2038]	526 [4659]	251 [2220]	234 [2072]	225 [1993]	2,6 [23]	19,2 [170]
UTR115-030	30:1	159 [1405]	138 [1220]	129 [1139]	488 [4317]	147 [1300]	128 [1129]	119 [1054]	2,8 [25]	19,1 [169]
UTR115-035	35:1	260 [2298]	243 [2152]	234 [2074]	532 [4707]	254 [2248]	238 [2104]	229 [2028]	2,5 [23]	19,0 [168]
UTR115-040	40:1	164 [1456]	143 [1267]	134 [1184]	494 [4372]	152 [1347]	132 [1173]	124 [1096]	2,6 [23]	24,9 [221]
UTR115-050	50:1	169 [1496]	147 [1304]	138 [1220]	498 [4410]	156 [1384]	136 [1207]	128 [1129]	2,5 [23]	21,9 [194]

UltraTRUE 90™ Size 14

Helical Right Angle Gearheads

Metric



Ratio ¹	Dimension 'M' mm [in]	Dimension 'N' mm [in]	Backlash [arc-min]	Weight kg [lb]	Efficiency
1:1 to 5:1P	166 [6.54]	95 [3.74]	4 max	24 [53]	98%
8:1 to 50:1	222 [8.74]	151 [5.95]	5 max	29 [64]	93%

All dimensions are: mm (inch)
 AD** = Adapter length
 Adapter length will vary depending on motor.
 M.S.= Mounting Surface
 Efficiency is calculated at 100% of the rated torque.

Performance Specifications

Part Number	Ratio ¹	10,000 Hour Life			T _{peak} Nm [in-lb]	20,000 Hour Life			J kg-cm ² [in-lb-sec ² x10 ⁻⁴]	Torsional Stiffness Nm/arc-min [in-lb/arc-min]
		T _r (1000 rpm) Nm [in-lb]	T _r (3000 rpm) Nm [in-lb]	T _r (5000 rpm) Nm [in-lb]		T _r (1000 rpm) Nm [in-lb]	T _r (3000 rpm) Nm [in-lb]	T _r (5000 rpm) Nm [in-lb]		
UTR014-001	1:1	158 [1396]	144 [1274]	130 [1152]	380 [3363]	146 [1289]	133 [1177]	120 [1064]	32 [279]	28,4 [252]
UTR014-002	2:1	327 [2893]	298 [2640]	270 [2387]	708 [6270]	302 [2671]	275 [2438]	249 [2204]	16 [143]	46,6 [413]
UTR014-003	3:1	220 [1944]	201 [1774]	181 [1604]	545 [4822]	203 [1796]	185 [1639]	167 [1481]	14 [123]	52,9 [468]
UTR014-004	4:1	158 [1396]	144 [1274]	130 [1152]	471 [4172]	146 [1289]	133 [1177]	120 [1064]	13 [114]	55,5 [491]
UTR014-005	5:1	118 [1047]	108 [956]	98 [864]	396 [3506]	109 [967]	100 [883]	90 [798]	13 [112]	56,8 [503]
UTR014-008	8:1	625 [5531]	565 [5000]	533 [4719]	1269 [11,233]	611 [5408]	530 [4688]	454 [4022]	16 [146]	36,7 [325]
UTR014-010	10:1	606 [5364]	551 [4876]	522 [4617]	1233 [10,911]	593 [5245]	539 [4768]	474 [4192]	16 [145]	31,9 [282]
UTR014-012	12:1	644 [5702]	588 [5207]	559 [4944]	1313 [11,616]	630 [5576]	575 [5092]	513 [4542]	13 [116]	22,1 [195]
UTR014-014	14:1	578 [5118]	530 [4690]	504 [4461]	1179 [10,430]	565 [5005]	518 [4586]	493 [4363]	16 [145]	51,6 [457]
UTR014-015	15:1	624 [5522]	572 [5067]	545 [4824]	1272 [11,253]	610 [5399]	560 [4955]	533 [4717]	12 [113]	51,7 [457]
UTR014-016	16:1	631 [5587]	576 [5099]	521 [4610]	1340 [11,860]	583 [5160]	532 [4708]	481 [4257]	13 [115]	52,8 [467]
UTR014-020	20:1	636 [5627]	587 [5194]	561 [4963]	1296 [11,471]	622 [5503]	574 [5079]	548 [4854]	13 [115]	49,2 [435]
UTR014-025	25:1	592 [5240]	540 [4782]	488 [4324]	1314 [11,625]	547 [4839]	499 [4415]	451 [3992]	12 [113]	49,2 [435]
UTR014-028	28:1	605 [5350]	561 [4969]	539 [4767]	1231 [10,896]	591 [5232]	549 [4859]	527 [4661]	13 [115]	42,8 [379]
UTR014-030	30:1	380 [3363]	329 [2914]	307 [2715]	1143 [10,111]	352 [3112]	305 [2696]	284 [2512]	14 [124]	44,7 [396]
UTR014-035	35:1	612 [5420]	571 [5052]	549 [4857]	1246 [11,024]	599 [5300]	558 [4941]	537 [4750]	12 [113]	40,2 [356]
UTR014-040	40:1	394 [3486]	342 [3028]	319 [2826]	1159 [10,257]	364 [3226]	317 [2802]	295 [2615]	13 [115]	52,6 [466]
UTR014-050	50:1	405 [3584]	352 [3118]	329 [2914]	1171 [10,360]	375 [3316]	326 [2886]	305 [2696]	12 [112]	49,2 [435]

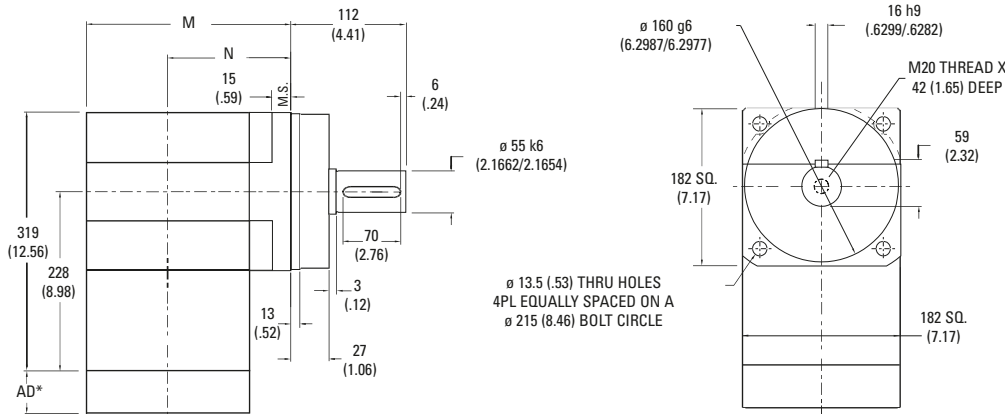
¹ Ratios are exact, higher ratios are also available, consult factory.
 T_r = Rated output torque at rated speed for specific hours of life.

T_{peak} = Allowable momentary peak torque for emergency stop or heavy shock loading.
 J = Mass moment of inertia reflected to the input shaft (including pinion assembly).

UltraTRUE 90™ Size 18

Helical Right Angle Gearheads

Metric



Ratio ¹	Dimension 'M' mm [in]	Dimension 'N' mm [in]	Backlash [arc-min]	Weight kg [lb]	Efficiency
1:1 to 5:1	219 [8.64]	128 [5.05]	4 max	43 [96]	98%
8:1 to 50:1	273 [10.76]	182 [7.18]	5 max	48 [106]	93%

All dimensions are: mm (inch)
 AD** = Adapter length
 Adapter length will vary depending on motor.
 M.S.= Mounting Surface
 Efficiency is calculated at 100% of the rated torque.

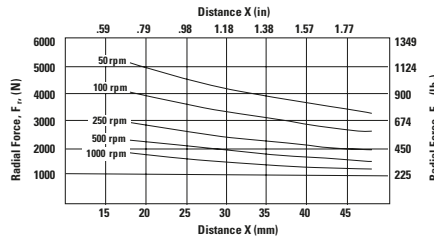
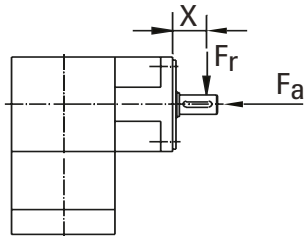
Performance Specifications

Part Number	Ratio ¹	10,000 Hour Life				T peak Nm [in-lb]	20,000 Hour Life			J kg-cm ² [in-lb-sec ² x10 ⁻⁴]	Torsional Stiffness Nm/arc-min [in-lb/arc-min]
		T _r (1000 rpm) Nm [in-lb]	T _r (3000 rpm) Nm [in-lb]	T _r (5000 rpm) Nm [in-lb]	T _r (1000 rpm) Nm [in-lb]		T _r (3000 rpm) Nm [in-lb]	T _r (5000 rpm) Nm [in-lb]			
UTR018-001	1:1	248 [2195]	226 [2003]	205 [1811]	819 [7246]	229 [2027]	209 [1850]	189 [1672]	111 [985]	50 [440]	
UTR018-002	2:1	654 [5786]	597 [5280]	539 [4774]	1911 [16914]	604 [5343]	551 [4876]	498 [4408]	57 [505]	82 [722]	
UTR018-003	3:1	507 [4489]	463 [4096]	419 [3704]	1674 [14817]	468 [4145]	427 [3783]	386 [3420]	49 [434]	93 [820]	
UTR018-004	4:1	361 [3192]	329 [2913]	298 [2633]	1190 [10536]	333 [2947]	304 [2690]	275 [2432]	46 [403]	97 [860]	
UTR018-005	5:1	254 [2245]	231 [2048]	209 [1852]	837 [7410]	234 [2073]	214 [1892]	193 [1710]	45 [396]	99 [880]	
UTR018-008	8:1	1460 [12920]	1309 [11589]	1230 [10888]	2929 [25920]	1428 [12634]	1184 [10476]	1016 [8988]	45 [401]	113 [998]	
UTR018-010	10:1	1418 [12547]	1279 [11322]	1206 [10673]	2851 [25228]	1386 [12269]	1234 [10918]	1058 [9366]	45 [398]	92 [812]	
UTR018-012	12:1	1509 [13352]	1368 [12108]	1294 [11448]	3040 [26900]	1475 [13057]	1337 [11832]	1147 [10150]	36 [317]	63 [560]	
UTR018-014	14:1	1355 [11993]	1234 [10917]	1169 [10344]	2733 [24185]	1325 [11728]	1206 [10675]	1129 [9989]	45 [398]	111 [986]	
UTR018-015	15:1	1463 [12944]	1333 [11800]	1265 [11192]	2950 [26109]	1430 [12657]	1304 [11539]	1195 [10578]	35 [310]	144 [1272]	
UTR018-016	16:1	1443 [12769]	1317 [11652]	1191 [10536]	3111 [27532]	1332 [11791]	1216 [10760]	1099 [9729]	36 [316]	147 [1299]	
UTR018-020	20:1	1493 [13209]	1370 [12121]	1304 [11541]	3014 [26674]	1460 [12917]	1339 [11853]	1275 [11285]	36 [316]	142 [1257]	
UTR018-025	25:1	1268 [11226]	1158 [10245]	1047 [9263]	3060 [27078]	1171 [10366]	1069 [9460]	967 [8554]	35 [309]	119 [1055]	
UTR018-028	28:1	1421 [12576]	1313 [11620]	1255 [11110]	2870 [25400]	1390 [12298]	1284 [11362]	1228 [10864]	36 [316]	126 [1113]	
UTR018-030	30:1	897 [7935]	775 [6856]	721 [6377]	2665 [23583]	830 [7342]	717 [6344]	667 [5900]	38 [339]	113 [997]	
UTR018-035	35:1	1441 [12750]	1337 [11828]	1281 [11338]	2908 [25736]	1409 [12468]	1307 [11567]	1253 [11087]	35 [309]	113 [998]	
UTR018-040	40:1	930 [8231]	806 [7131]	751 [6645]	2708 [23967]	861 [7616]	746 [6599]	695 [6149]	36 [314]	147 [1299]	
UTR018-050	50:1	956 [8465]	830 [7348]	775 [6856]	2739 [24239]	885 [7832]	768 [6799]	717 [6344]	35 [308]	142 [1257]	

Radial and Axial Load Ratings

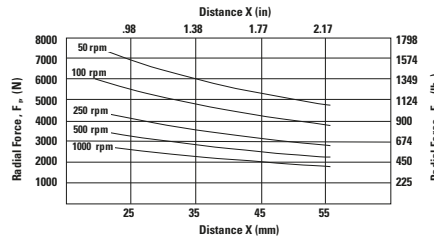
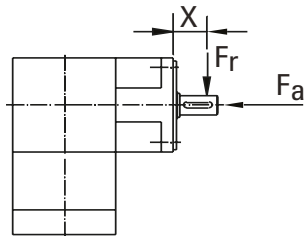
Ratios 1:1 thru 5:1 only

UTR006



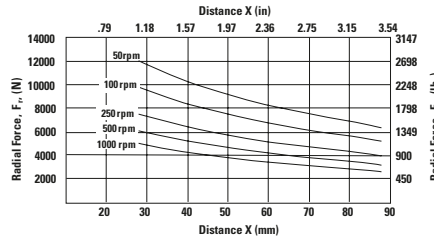
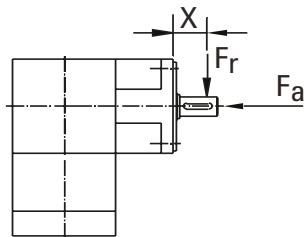
Speed rpm	Axial Load, F_a N [lb _f]
50	6543 [1471]
100	5191 [1167]
250	3825 [860]
500	3038 [683]
1000	2411 [542]

UTR075 and UTR090



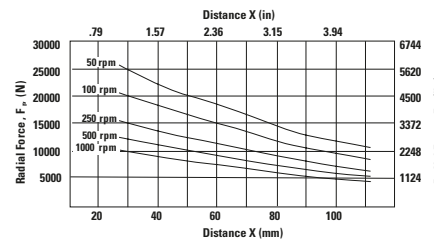
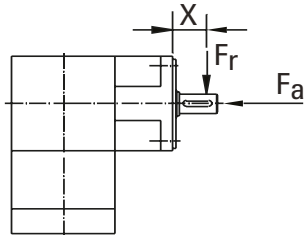
Speed rpm	Axial Load, F_a N [lb _f]
50	9003 [2024]
100	7148 [1607]
250	5266 [1184]
500	4181 [940]
1000	3318 [746]

UTR010 and UTR115



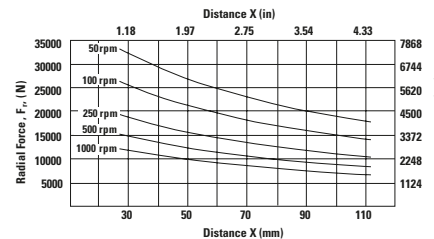
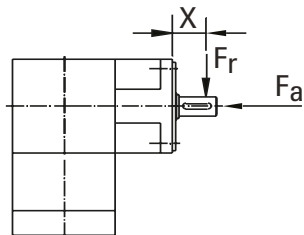
Speed rpm	Axial Load, F_a N [lb _f]
50	12,432 [2795]
100	10,097 [2270]
250	7668 [1724]
500	6232 [1401]
1000	5062 [1138]

UTR014



Speed rpm	Axial Load, F_a N [lb _f]
50	23,067 [5186]
100	18,735 [4212]
250	14,234 [3200]
500	11,560 [2599]
1000	9390 [2111]

UTR018

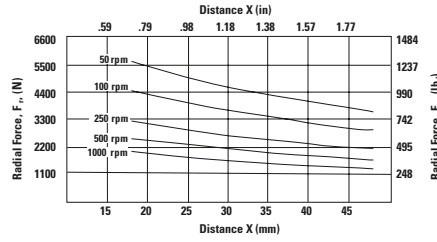
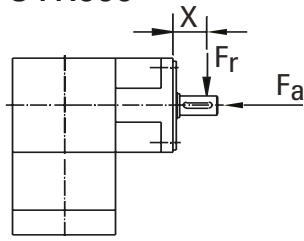


Speed rpm	Axial Load, F_a N [lb _f]
50	31,398 [7059]
100	24,922 [5603]
250	18,361 [4128]
500	14,576 [3277]
1000	11,569 [2601]

These graphs display the allowable radial load at a given distance (X) from the mounting surface based on an L_{10} life of 10,000 hours for the mean output speed n_{mout} , as described on page 9.

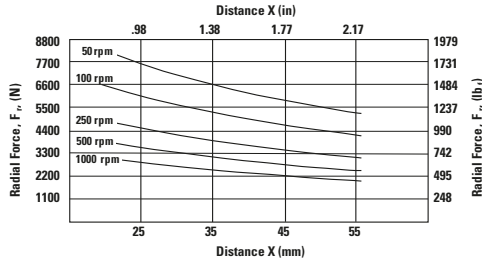
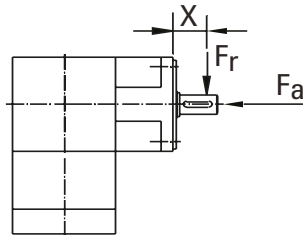
Radial and Axial Load Ratings

Ratios 8:1 thru 50:1 only
UTR006



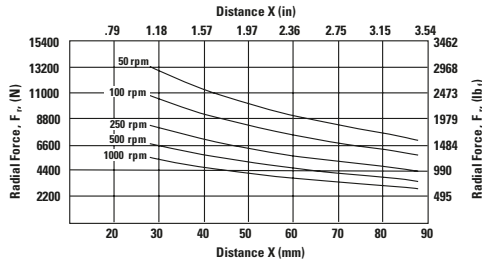
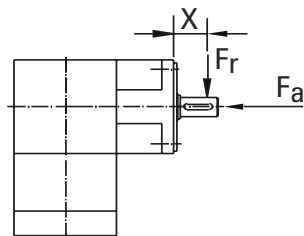
Speed rpm	Axial Load, F_a N [lb _f]
50	7198 [1618]
100	5710 [1284]
250	4208 [946]
500	3342 [751]
1000	2652 [596]

UTR075 and UTR090



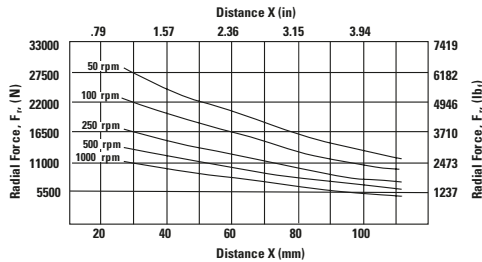
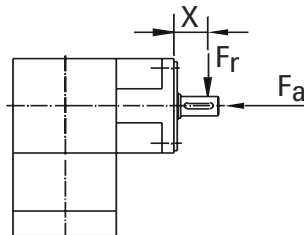
Speed rpm	Axial Load, F_a N [lb _f]
50	9903 [2227]
100	7863 [1768]
250	5793 [1303]
500	4599 [1034]
1000	3650 [821]

UTR010 and UTR115



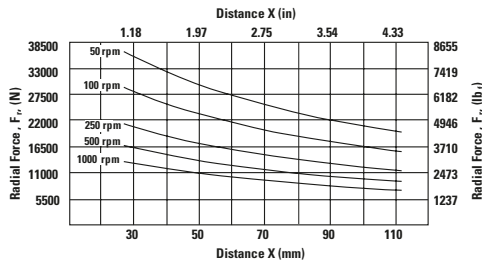
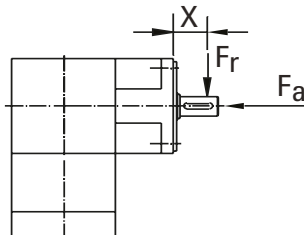
Speed rpm	Axial Load, F_a N [lb _f]
50	13,675 [3075]
100	11,107 [2497]
250	8435 [1897]
500	6855 [1542]
1000	5568 [1252]

UTR014



Speed rpm	Axial Load, F_a N [lb _f]
50	25,374 [5705]
100	20,609 [4633]
250	15,657 [3520]
500	12,716 [2859]
1000	10,329 [2322]

UTR018



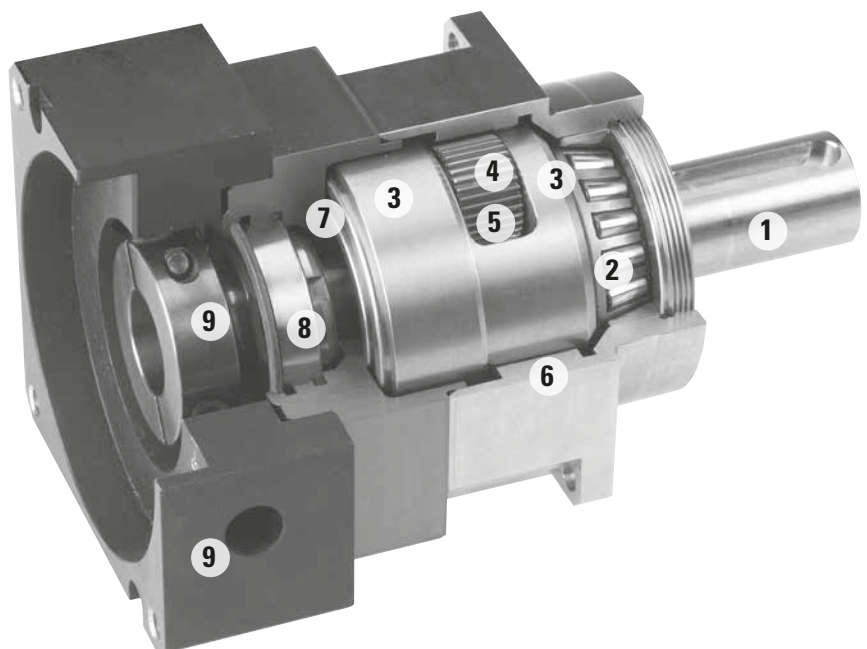
Speed rpm	Axial Load, F_a N [lb _f]
50	34,538 [7765]
100	27,414 [6163]
250	20,197 [4541]
500	16,034 [3605]
1000	12,726 [2861]

These graphs display the allowable radial load at a given distance (X) from the mounting surface based on an L_{10} life of 10,000 hours for the mean output speed n_{mout} , as described on page 9.

EverTRUE™ Continuous Duty True™ Planetary Gearheads

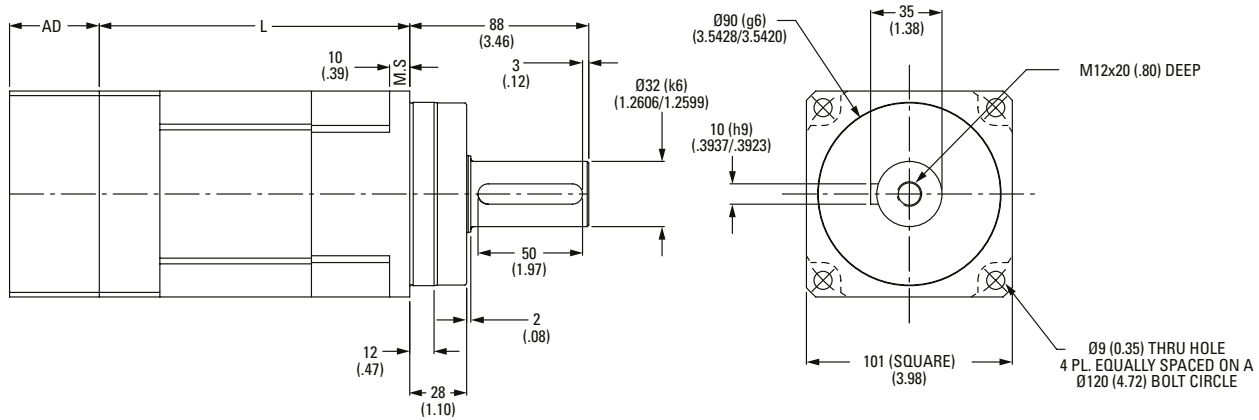
Ready for Immediate Delivery	
Precision	4 arc-minutes
Frame Sizes	100mm, 140mm and 180mm
Torque Capacity	up to 1017 Nm
Ratio Availability	4:1 thru 100:1
Radial load capacity	up to 44600 N
Mounting System	RediMount™

- ① **Single-piece output shaft with**
straddle mount bearing for
increased stiffness
- ② **High-capacity, tapered roller bearings**
- ③ **Double full complement needle**
bearings for continuous operation
- ④ **Gears lubricated with**
continuous duty grease
- ⑤ **True Planetary Gearing**
optimized for continuous duty
- ⑥ **Single-piece output**
housing with integral internal gear
- ⑦ **Angular contact bearing**
- ⑧ **Input bearing with thermal**
compensation feature
- ⑨ **RediMount system**
provides error-free installation



Stainless steel output housing

EverTRUE™ Size 10 Continuous Duty True™ Planetary Gearheads



Ratio ¹	Stages	Dimension 'L' mm [in]	Backlash [arc-min]	Weight kg [lb]	Efficiency
4:1 to 10:1	1	78 [3.07]	4 max	6 [13]	95%
16:1 to 100:1	2	146 [5.75]	5 max	8 [18]	90%

All dimensions are in mm (in)
 AD** = Adapter length
 Adapter length will vary depending on motor.
 Efficiency is calculated at 100% of the rated torque.

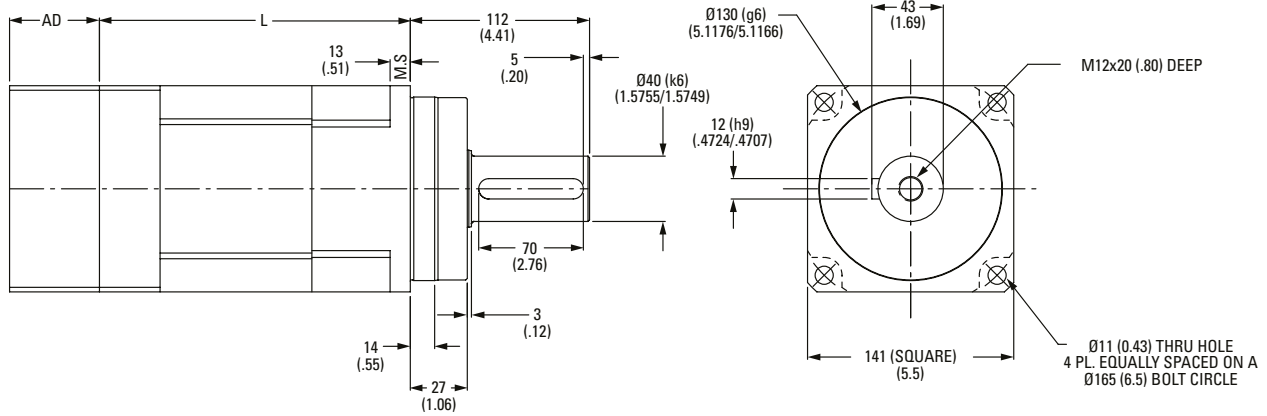
Performance Specifications

Part Number	Ratio ¹	Intermittent (T _{rc}) Nm [in-lb]	30000 Hour Life			T _{peak} Nm [in-lb]	J kg-cm ² [in-lb-sec ² x10 ⁻⁴]	Torsional Stiffness Nm/arc-min [in-lb/arc-min]
			T _r (1000 rpm) Nm [in-lb]	T _r (3000 rpm) Nm [in-lb]	T _r (5000 rpm) Nm [in-lb]			
ET010-004	4:1	171 [1514]	147 [1303]	106 [937]	91 [804]	463 [4093]	1,50 [13.3]	28,27 [250]
ET010-005	5:1	178 [1579]	144 [1272]	110 [977]	95 [838]	451 [3991]	1,29 [11.5]	25,08 [222]
ET010-007	7:1	190 [1684]	137 [1217]	118 [1042]	101 [893]	433 [3830]	0,92 [8.1]	23,21 [205]
ET010-010	10:1	106 [940]	77 [677]	66 [581]	61 [539]	411 [3640]	0,86 [7.6]	15,84 [140]
ET010-016	16:1	245 [2166]	164 [1450]	151 [1340]	138 [1218]	517 [4577]	1,05 [9.2]	30,03 [267]
ET010-020	20:1	249 [2205]	166 [1470]	154 [1364]	147 [1303]	524 [4637]	1,05 [9.2]	26,73 [237]
ET010-025	25:1	242 [2140]	161 [1421]	150 [1324]	14 [127]	506 [4477]	1,05 [9.2]	26,73 [237]
ET010-028	28:1	255 [2261]	169 [1499]	158 [1399]	152 [1345]	533 [4718]	0,89 [7.9]	23,21 [205]
ET010-035	35:1	248 [2191]	164 [1448]	153 [1355]	148 [1306]	514 [4549]	0,75 [6.7]	22,99 [204]
ET010-040	40:1	262 [2316]	173 [1528]	162 [1433]	156 [1383]	542 [4794]	0,75 [6.7]	30,14 [267]
ET010-050	50:1	253 [2243]	167 [1475]	157 [1387]	152 [1341]	521 [4615]	0,74 [6.6]	26,51 [235]
ET010-070	70:1	241 [2131]	158 [1396]	149 [1318]	144 [1277]	491 [4349]	0,74 [6.6]	23,21 [205]
ET010-100	100:1	144 [1277]	102 [902]	89 [790]	84 [741]	459 [4059]	0,74 [6.6]	18,92 [168]

¹ Ratios are exact, higher ratios are also available, consult factory.
 T_r = Rated output torque at rated speed for specific hours of life.
 T_{rc} = Rated output torque for intermittent operation at 3,000 RPM
 (20,000 hr life - for catalog comparison)

T_{peak} = Allowable momentary peak torque for emergency stop or heavy shock loading.
 J = Mass moment of inertia reflected to the input shaft (including pinion assembly).

EverTRUE™ Size 14 Continuous Duty True™ Planetary Gearheads



Ratio ¹	Stages	Dimension 'L' mm [in]	Backlash [arc-min]	Weight kg [lb]	Efficiency
4:1 to 10:1	1	110,5 [4.35]	4 max	14 [31]	95%
16:1 to 100:1	2	195 [7.69]	5 max	18 [40]	90%

All dimensions are in mm (in)
AD** = Adapter length
Adapter length will vary depending on motor.
Efficiency is calculated at 100% of the rated torque.

Performance Specifications

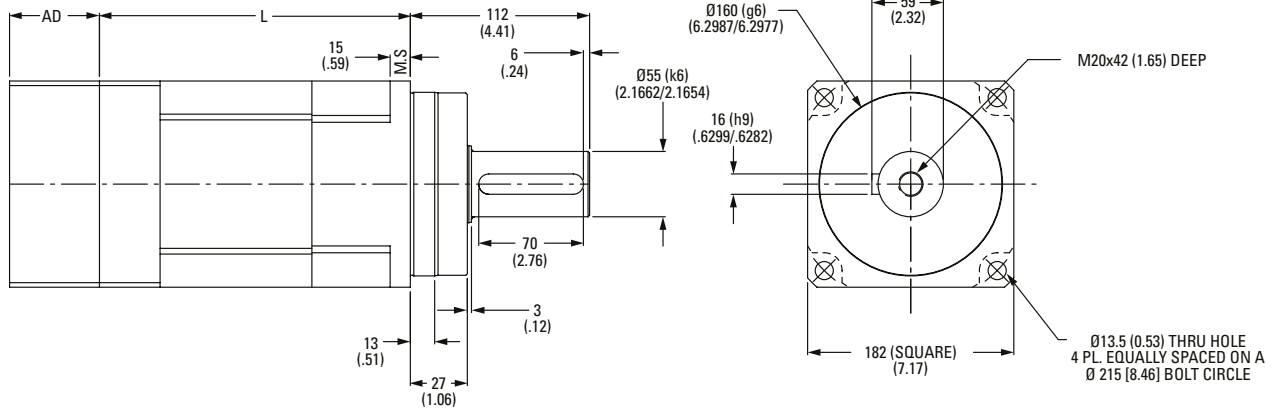
Part Number	Ratio ¹	Intermittent (T _{rc}) Nm [in-lb]	30000 Hour Life			T _{peak} Nm [in-lb]	J kg-cm ² [in-lb-sec ² x10 ⁻⁴]	Torsional Stiffness Nm/arc-min [in-lb/arc-min]
			T _r (1000 rpm) Nm [in-lb]	T _r (3000 rpm) Nm [in-lb]	T _r (5000 rpm) Nm [in-lb]			
ET014-004	4:1	417 [3694]	345 [3055]	258 [2285]	221 [1960]	1066 [9431]	6,18 [55]	60,50 [536]
ET014-005	5:1	435 [3849]	336 [2972]	269 [2381]	231 [2042]	1040 [9206]	4,77 [42]	56,10 [497]
ET014-007	7:1	464 [4105]	322 [2849]	287 [2539]	246 [2179]	1002 [8866]	3,61 [32]	51,70 [458]
ET014-010	10:1	253 [2237]	183 [1618]	156 [1384]	145 [1279]	956 [8459]	3,22 [29]	38,50 [341]
ET014-016	16:1	573 [5070]	386 [3413]	354 [3136]	336 [2971]	1206 [10674]	4,00 [35]	63,80 [565]
ET014-020	20:1	584 [5168]	391 [3463]	361 [3197]	345 [3055]	1224 [10832]	3,87 [34]	59,40 [526]
ET014-025	25:1	567 [5016]	378 [3347]	351 [3103]	336 [2972]	1182 [10463]	3,87 [34]	59,40 [526]
ET014-028	28:1	600 [5309]	399 [3535]	371 [3284]	356 [3150]	1248 [11047]	3,35 [30]	51,70 [458]
ET014-035	35:1	581 [5145]	386 [3415]	360 [3182]	346 [3059]	1204 [10653]	2,84 [25]	48,40 [428]
ET014-040	40:1	616 [5448]	408 [3608]	381 [3370]	367 [3245]	1271 [11248]	2,84 [25]	63,80 [565]
ET014-050	50:1	596 [5274]	393 [3482]	369 [3262]	356 [3146]	1224 [10831]	2,71 [24]	59,40 [526]
ET014-070	70:1	567 [5019]	373 [3299]	351 [3104]	339 [3002]	1155 [10223]	2,71 [24]	53,90 [478]
ET014-100	100:1	346 [3058]	245 [2164]	214 [1892]	200 [1772]	1081 [9564]	2,71 [24]	38,50 [341]

¹ Ratios are exact, higher ratios are also available, consult factory.
T_r = Rated output torque at rated speed for specific hours of life.
T_{rc} = Rated output torque for intermittent operation at 3,000 RPM
(20,000 hr life - for catalog comparison)

T_{peak} = Allowable momentary peak torque for emergency stop or heavy shock loading.
J = Mass moment of inertia reflected to the input shaft (including pinion assembly).

EverTRUE™ Size 18 Continuous Duty

True™ Planetary Gearheads



Ratio ¹	Stages	Dimension 'L' mm [in]	Backlash [arc-min]	Weight kg [lb]	Efficiency
4:1 to 10:1	1	136 [5.35]	4 max	40 [88]	95%
16:1 to 100:1	2	244 [9.59]	5 max	45 [99]	90%

All dimensions are in mm (in)
 AD** = Adapter length
 Adapter length will vary depending on motor.
 Efficiency is calculated at 100% of the rated torque.

Performance Specifications

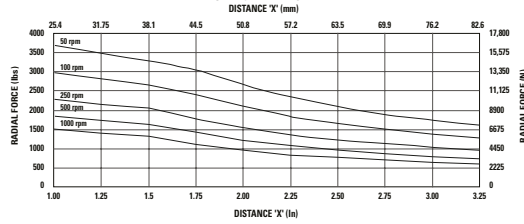
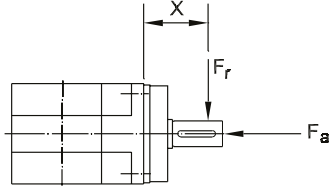
Part Number	Ratio ¹	Intermittent (T _{rc}) Nm [in-lb]	30000 Hour Life			T _{peak} Nm [in-lb]	J kg-cm ² [in-lb-sec ² x10 ⁻⁴]	Torsional Stiffness Nm/arc-min [in-lb/arc-min]
			T _r (1000 rpm) Nm [in-lb]	T _r (3000 rpm) Nm [in-lb]	T _r (5000 rpm) Nm [in-lb]			
ET018-004	4:1	933 [8254]	802 [7099]	577 [5105]	495 [4380]	2442 [21609]	24,61 [218]	168,30 [1461]
ET018-005	5:1	972 [8602]	782 [6923]	601 [5321]	516 [4565]	2389 [21143]	19,00 [168]	165,00 [1461]
ET018-007	7:1	1037 [9174]	752 [6652]	641 [5675]	550 [4868]	2308 [20429]	13,87 [123]	147,40 [1306]
ET018-010	10:1	592 [5242]	430 [3806]	366 [3242]	338 [2990]	2210 [19561]	12,35 [109]	111,10 [984]
ET018-016	16:1	1335 [11816]	904 [8003]	826 [7309]	750 [6639]	2800 [24779]	15,30 [136]	177,10 [1569]
ET018-020	20:1	1363 [12061]	919 [8129]	843 [7460]	802 [7099]	2846 [25187]	14,82 [131]	171,60 [1520]
ET018-025	25:1	1325 [11722]	889 [7866]	819 [7251]	782 [6923]	2754 [24370]	14,82 [131]	144,10 [1277]
ET018-028	28:1	1403 [12414]	939 [8311]	868 [7679]	830 [7342]	2910 [25751]	12,83 [114]	151,80 [1345]
ET018-035	35:1	1361 [12047]	908 [8033]	842 [7452]	807 [7142]	2810 [24870]	10,83 [96]	136,40 [1209]
ET018-040	40:1	1443 [12767]	960 [8492]	892 [7897]	857 [7580]	2970 [26281]	10,83 [96]	177,10 [1569]
ET018-050	50:1	1398 [12371]	927 [8201]	865 [7652]	832 [7361]	2863 [25338]	10,36 [92]	171,60 [1520]
ET018-070	70:1	1332 [11789]	879 [7778]	824 [7292]	795 [7037]	2707 [23959]	10,36 [92]	151,80 [1345]
ET018-100	100:1	816 [7219]	578 [5117]	505 [4465]	472 [4180]	2537 [22454]	10,36 [92]	113,30 [1004]

¹ Ratios are exact, higher ratios are also available, consult factory.
 T_r = Rated output torque at rated speed for specific hours of life.
 T_{rc} = Rated output torque for intermittent operation at 3,000 RPM
 (20,000 hr life - for catalog comparison)

T_{peak} = Allowable momentary peak torque for emergency stop or heavy shock loading.
 J = Mass moment of inertia reflected to the input shaft (including pinion assembly).

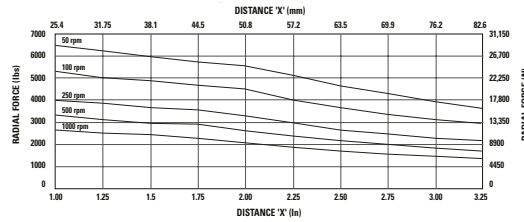
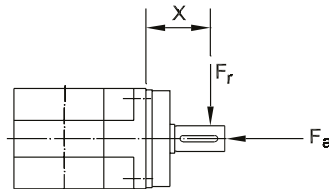
Radial and Axial Load Ratings

ET010



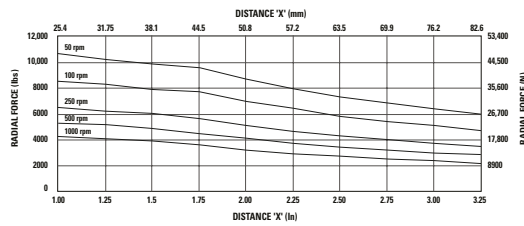
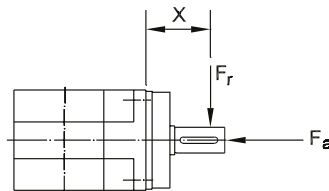
Speed rpm	Axial Load, F_a N [lb.]
50	13675 [3075]
100	11107 [2497]
250	8435 [1897]
500	6855 [1542]
1000	5568 [1252]

ET014



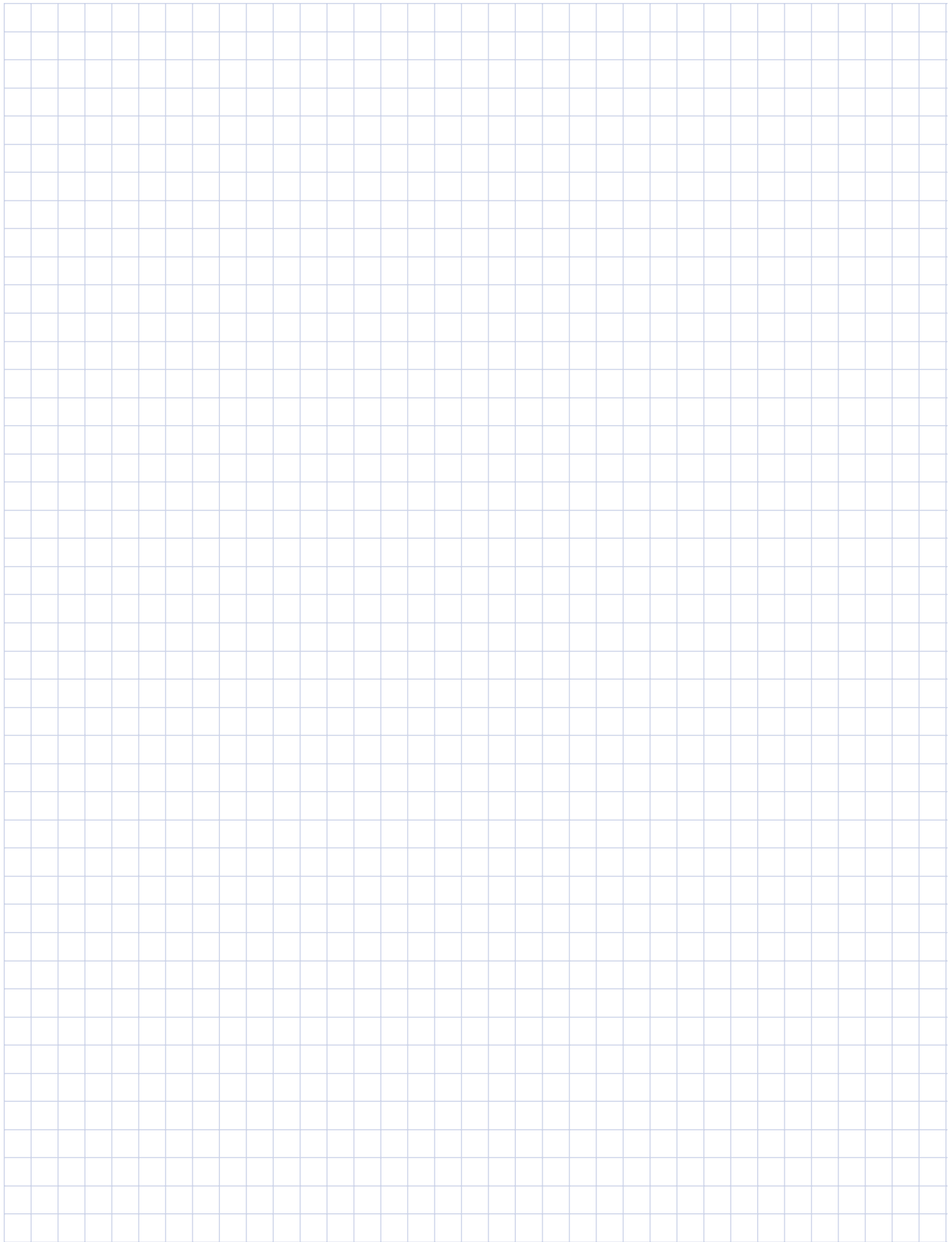
Speed rpm	Axial Load, F_a N [lb.]
50	25074 [5705]
100	20609 [4633]
250	15657 [3520]
500	12716 [2859]
1000	10329 [2322]

ET018



Speed rpm	Axial Load, F_a N [lb.]
50	34538 [7765]
100	27414 [6163]
250	20197 [4541]
500	16034 [3605]
1000	12726 [2861]

These graphs display the allowable radial load at a given distance (X) from the mounting surface based on an L_{10} life of 10,000 hours for the mean output speed n_{mout} , as described on page 9.



Gearhead Application Analysis Form

General Information

Customer Name: _____ Fax: _____ Order Date: _____

Buyer Contact: _____ Phone: _____ Required Date: _____

Technical Contact: _____

Bill to Address: _____ Town/County: _____ State/Zip: _____

Ship to Address: _____ Town/County: _____ State/Zip: _____

E-mail: _____ Website: _____

Motor Information

Motor Manufacturer: _____ Motor Model #: _____

Continuous Torque (Nm) _____ Peak Torque (Nm) _____

Maximum Speed (rpm) _____

Application Information

Brief description of your application: _____

Acceleration time (sec) _____ Acceleration torque (Nm) _____ Max speed (rpm) _____

Dwell time (sec) _____ Dwell torque (Nm) _____ Dwell speed (rpm) _____

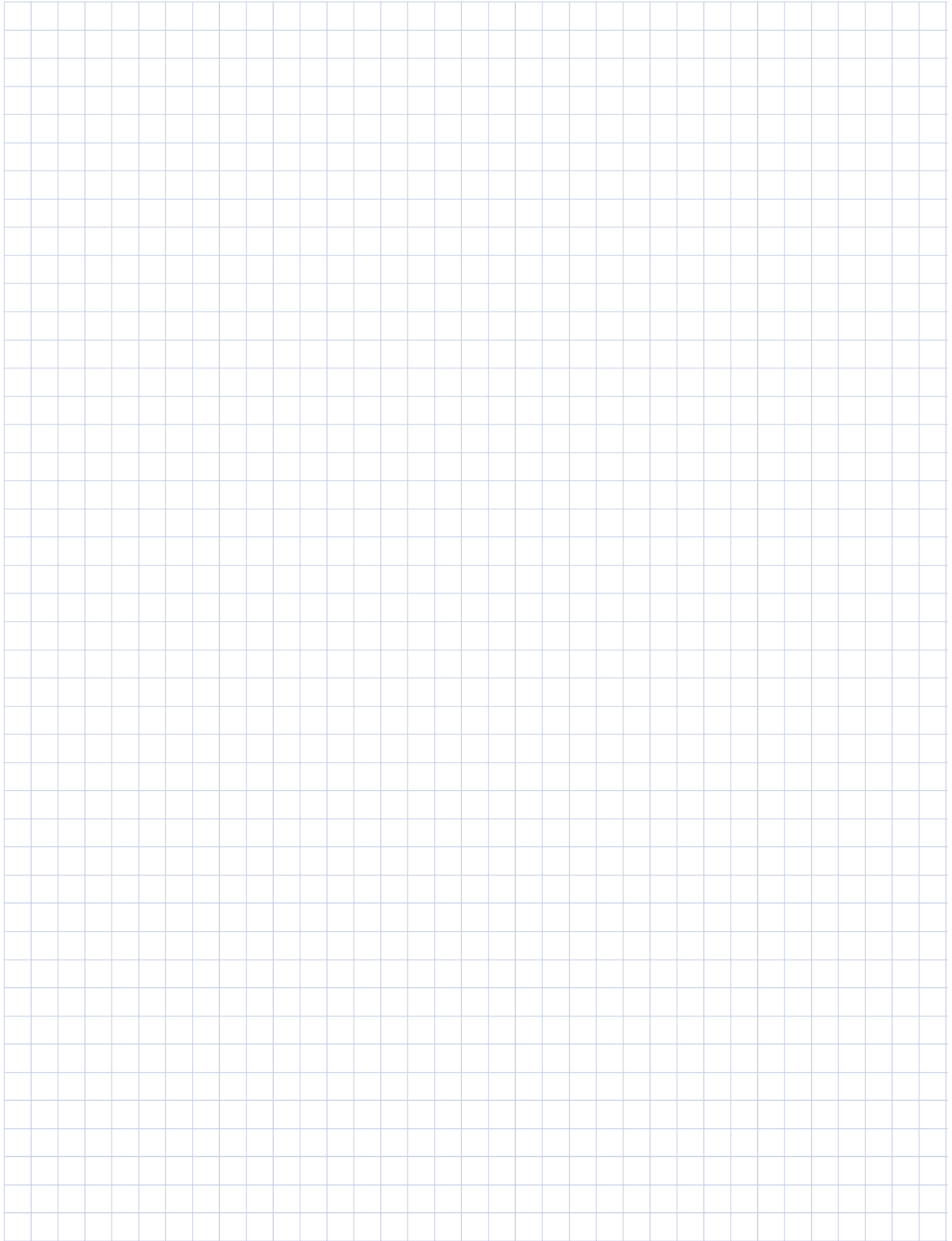
Deceleration time (sec) _____ Deceleration torque (Nm) _____ Min speed (rpm) _____

Radial Load (N) _____ Axial Load (N) _____ Target inertia match _____

External load inertia (Nm-sec²) _____ Maximun speed of motor (rpm) _____**Ordering Information**

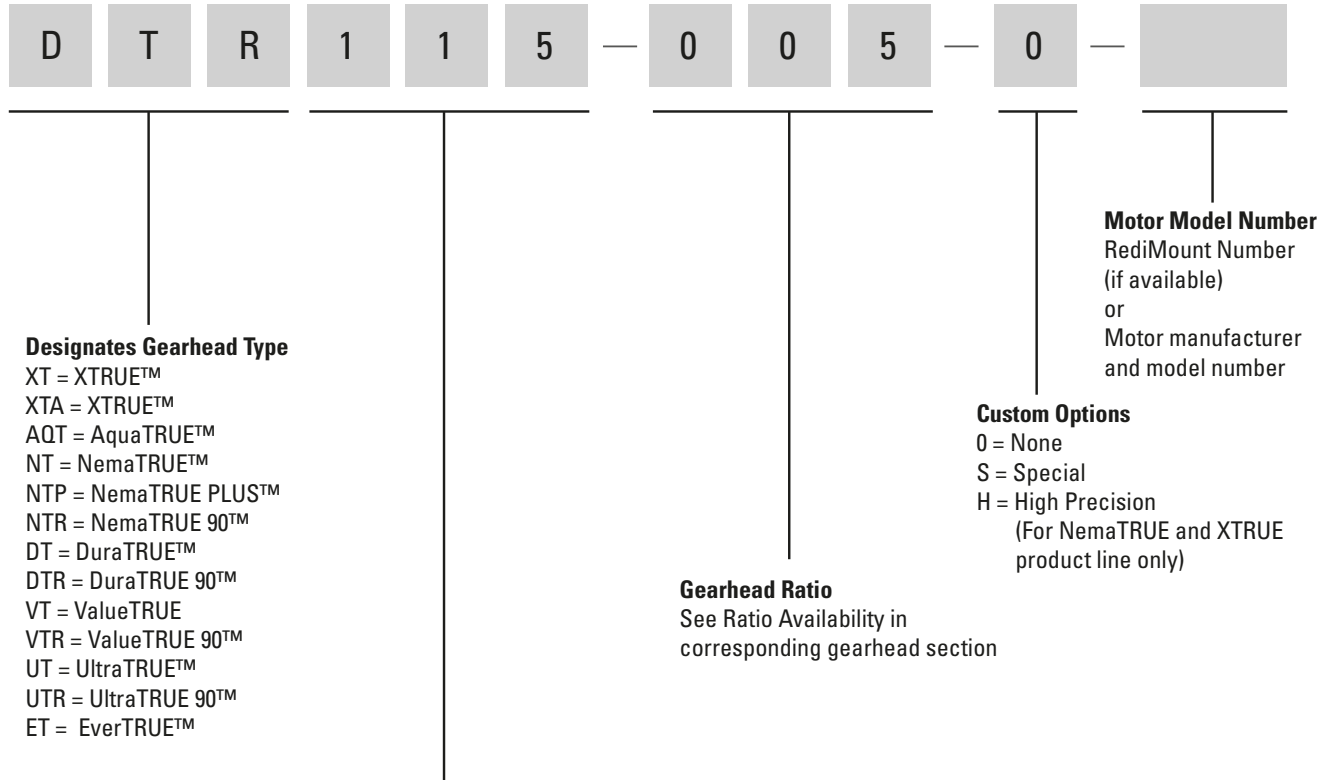
Part Number	Quantity	Price	Delivery
-------------	----------	-------	----------

_____	_____	_____	_____
-------	-------	-------	-------



Gearhead Ordering Information

Visit www.micronmotioneering.com to get your complete RediMount part number using your motor manufacturer and model number information.



GEARHEAD SIZE

XTRUE™ XT AquaTRUE™	NemaTRUE™ NemaTRUE PLUS™ NemaTRUE 90™	DuraTRUE™ DuraTRUE 90™ DuraTRUE™ (Hollow Shaft) DuraTRUE™ (Dual Shaft)	UltraTRUE™ UltraTRUE 90™	EverTRUE™	ValueTRUE™ ValueTRUE 90™
040 = 40 mm	17 = Size 17	60 = Size 60	006 = Size 60	10 = Size 10	006 = Size 60
060 = 60 mm	23 = Size 23	90 = Size 90	075 = Size 75	14 = Size 14	075 = Size 75
080 = 80 mm	34 = Size 34	115 = Size 115	090 = Size 90	18 = Size 18	090 = Size 90
120 = 120 mm	42 = Size 42	142 = Size 142	010 = Size 10		010 = Size 10
160 = 160 mm	60 = Size 60		115 = Size 115		115 = Size 115
	90 = Size 90		014 = Size 14		014 = Size 14
	115 = Size 115		018 = Size 18		018 = Size 18
XTRUE™ XTA			022 = Size 22 (UltraTRUE™ only)		022 = Size 22
050 = 50 mm					
070 = 70 mm					
090 = 90 mm					
120 = 120 mm					

Custom Gearhead Options

Can't find what you need in this catalog?

Micron offers many different customization options to allow customers to meet the unique challenges of their applications.

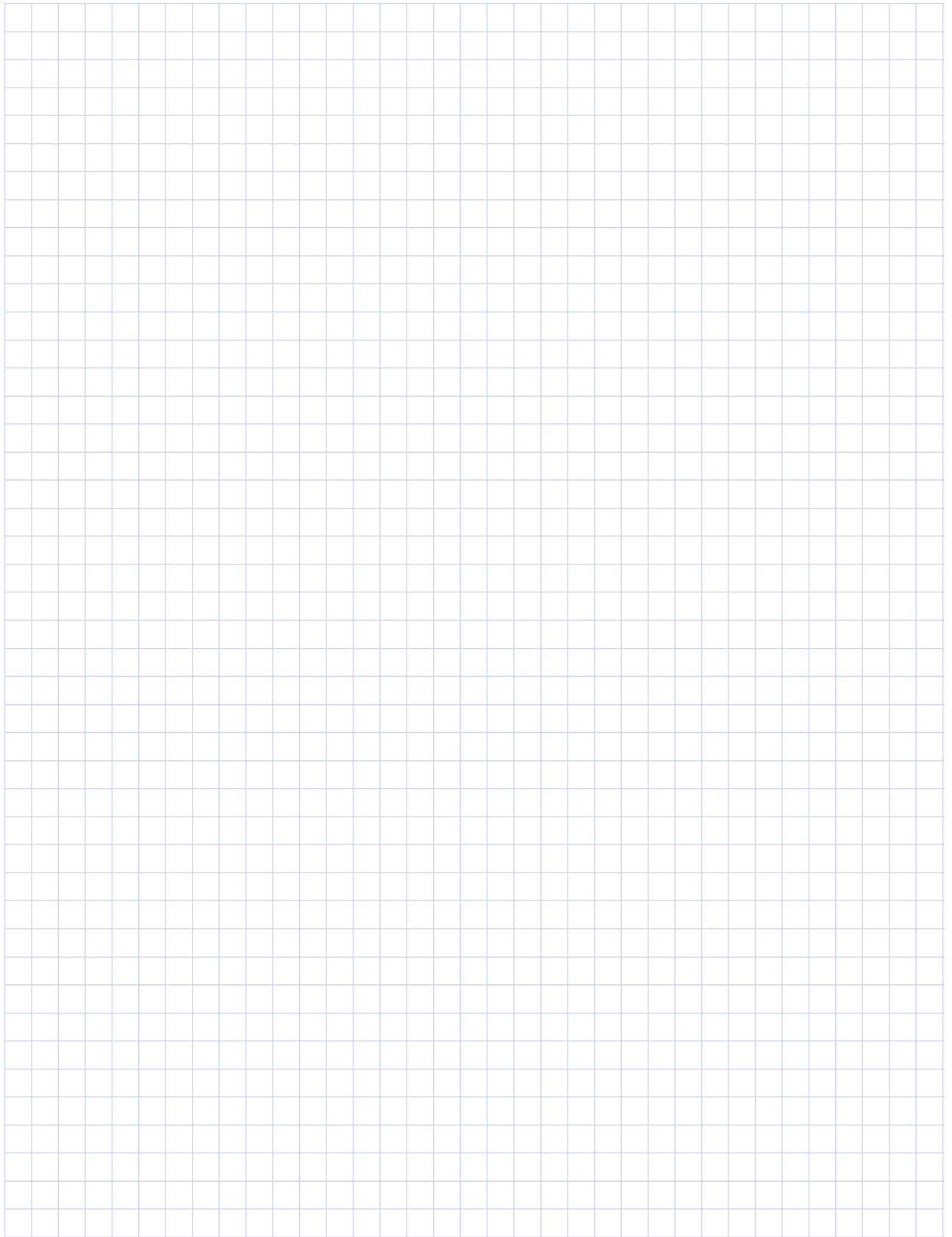
Simple modifications that usually have little or no impact to price and lead time

- Output shaft modifications (shorter length or smaller diameter)
- Output shaft modifications (longer length or larger diameter would be product dependent)
- Custom output shaft designs (spline shafts, tapped holes)
- Higher precision options
- New ratio combinations (three stage designs, new ratios)
- Custom greases (food grade, low temperature, vacuum prep)
- Stainless steel, nickel plating or paint options

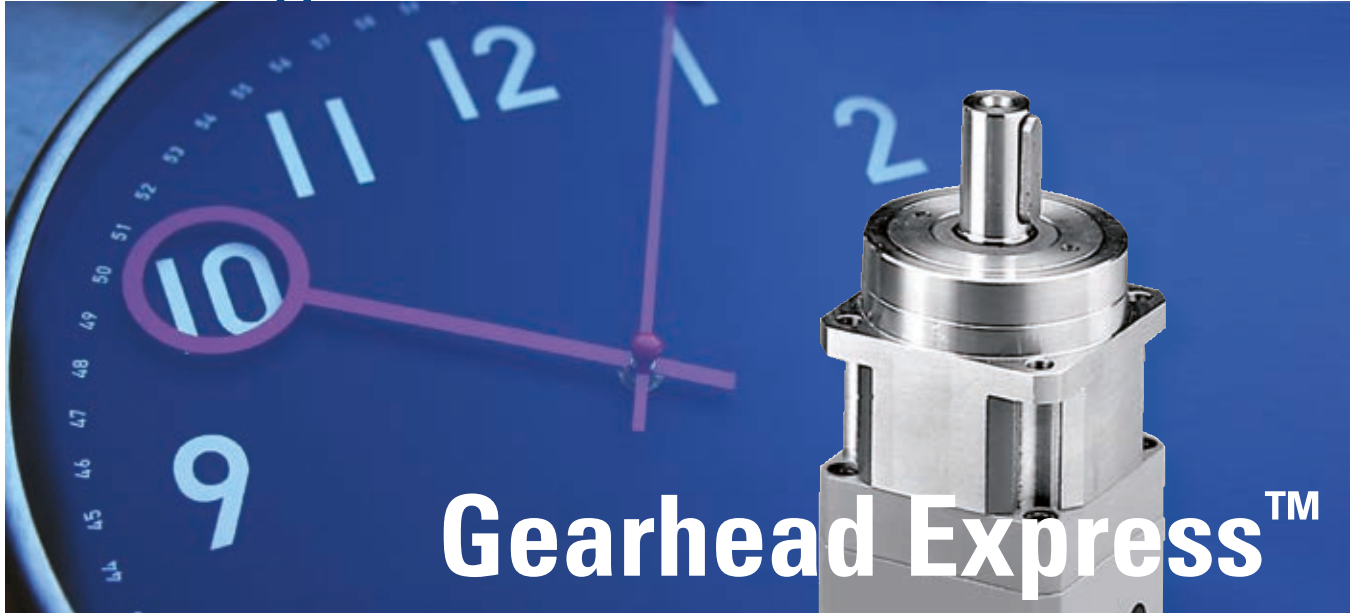
Other modifications that may require volume or longer lead time

- Envelope-size reductions (shorter length or width)
- Machined and mounted output gears
- Heavy shock and vibration requirements
- White paper, ground-up designs





Micron True™ Planetary Gearheads shipped within 24 hours!



Need it fast?

***Take advantage of the Gearhead Express Program
for quick delivery.***

All standard in-line frame sizes and ratios for the NemaTRUE, DuraTRUE, UltraTRUE and ValueTRUE products are available to ship in 24 hours through the Gearhead Express Program. That is more than 350 gearheads to choose from. The parts included in the program are listed below. Please contact customer service for directions on how to order. For details on how to use the Gearhead Express program, please visit www.micronmotioneering.com.

- **NemaTRUE**
Frame sizes 23, 34, 42, 60, 90 and 115
Ratios: 3, 4, 5, 7, 10, 15, 20, 30, 40, 50, 70 and 100:1
- **DuraTRUE**
Frame sizes 60, 90, 115 and 142
Ratios: 3, 4, 5, 7, 10, 15, 20, 25, 30, 40, 50, 70 and 100:1
- **UltraTRUE**
Frame sizes 6, 7.5, 10 and 14
Ratios: 4, 5, 7, 10, 16, 20, 25, 28, 35, 40, 50, 70 and 100:1
- **ValueTRUE**
Frame sizes 6, 7.5, 10 and 14
Ratios: 4, 5, 7, 10, 16, 20, 25, 28, 35, 40, 50, 70 and 100:1

***Visit: www.thomsonlinear.com
or call: 1-540-633-3549***

 THOMSON®

Linear Motion. Optimized.™

USA, CANADA and MEXICO

Thomson
203A West Rock Road
Radford, VA 24141, USA
Phone: 1-540-633-3549
Fax: 1-540-633-0294
E-mail: thomson@thomsonlinear.com
Literature: literature.thomsonlinear.com

EUROPE

United Kingdom

Thomson
Office 9, The Barns
Caddsdow Business Park
Bideford
Devon, EX39 3BT
Phone: +44 (0) 1271 334 500
E-mail: sales.uk@thomsonlinear.com

Germany

Thomson
Nürtinger Straße 70
72649 Wolfschlugen
Phone: +49 (0) 7022 504 0
Fax: +49 (0) 7022 504 405
E-mail: sales.germany@thomsonlinear.com

France

Thomson
Phone: +33 (0) 243 50 03 30
Fax: +33 (0) 243 50 03 39
E-mail: sales.france@thomsonlinear.com

Italy

Thomson
Largo Brughetti
20030 Bovisio Masciago
Phone: +39 0362 594260
Fax: +39 0362 594263
E-mail: sales.italy@thomsonlinear.com

Spain

Thomson
E-mail: sales.esm@thomsonlinear.com

Sweden

Thomson
Estridsväg 10
29109 Kristianstad
Phone: +46 (0) 44 24 67 00
Fax: +46 (0) 44 24 40 85
E-mail: sales.scandinavia@thomsonlinear.com

ASIA

Asia Pacific

Thomson
E-mail: sales.apac@thomsonlinear.com

China

Thomson
Rm 2205, Scitech Tower
22 Jianguomen Wai Street
Beijing 100004
Phone: +86 400 6661 802
Fax: +86 10 6515 0263
E-mail: sales.china@thomsonlinear.com

India

Thomson
c/o Fluke Technologies Pvt. Ltd.
#424, Deodhar Center,
Marol Maroshi Road,
Andheri – E, Mumbai – 400059 India
Phone: +91 22 29207641
E-mail: sales.india@thomsonlinear.com

Japan

Thomson
Minami-Kaneden 2-12-23, Suita
Osaka 564-0044 Japan
Phone: +81-6-6386-8001
Fax: +81-6-6386-5022
E-mail: csjapan@scgap.com

Korea

Thomson
F7 Ilsong Bldg, 157-37
Samsung-dong, Kangnam-gu,
Seoul, Korea (135-090)
Phone: +82 2 6917 5049
Fax: +82 2 528 1456
E-mail: sales.korea@thomsonlinear.com

SOUTH AMERICA

Brazil

Thomson
Av. Tamboré, 1077
Barueri, SP – 06460-000
Phone: +55 (11) 3616-0191
Fax: +55 (11) 3611-1982
E-mail: sales.brasil@thomsonlinear.com